



NORTHERN TERRITORY OF AUSTRALIA

# Government Gazette

ISSN-0157-8324

No. G11

DARWIN

13 March 2013

## GENERAL INFORMATION

General issues of the *Gazette* contain notices under the following headings: Proclamations; Legislative (Acts of Parliament assented to, Statutory Rules, By-laws, Regulations); Government departments administering particular legislation or functions; Notices under the Companies (Northern Territory) Code; Planning Act; Crown Lands Act; Private Notices; Tenders Invited; Contracts Awarded. Copies of each week's General *Gazette* are available for a cost of \$1.10 each (plus postage) and are published on a Wednesday. Copies of each week's Special Gazettes are available separately for a cost of \$1.10 each (plus postage). Special Gazettes are supplied with General Gazettes on a Wednesday and they are sold at \$1.10 per set (plus postage). Annual subscription rates apply from 1 July 2001. All current paid subscriptions will not be effected and will continue until their expiry dates.

**NOTICES FOR PUBLICATION** and related correspondence should be addressed to:

*Gazette* Office  
GPO Box 1447  
Darwin NT 0801  
Telephone: 08 8999 4005  
Facsimile: 08 8999 4037  
Email: ray.ellen@nt.gov.au

or hand-delivered to the reception desk  
Government Printing Office  
203 Stuart Highway, Parap.

Notices are accepted for publication in the next available issue, unless otherwise specified.

Two copies with a covering sheet stating contact name, telephone, facsimile and or e-mail details is also requested with all material submitted for publication.

**CLOSING TIMES:** Notices for publication should be lodged at the *Gazette* Office by the following time (except holiday periods for which special advice of earlier closing times will be given).

**THE CLOSING TIME FOR ALL NOTICES IN THE GENERAL GAZETTE IS 4PM WEDNESDAY THE WEEK PRIOR TO PUBLICATION.**

**SUBSCRIPTIONS** are payable in advance and are accepted for a maximum period of one calendar year. All subscriptions are on a firm basis and refunds for cancellations will not be given. Rates include surface postage in Australia and overseas. Other carriage rates are available on application.

**AVAILABILITY:** The *Gazette* may be purchased by mail from:

Retail Sales  
Government Printing Office  
GPO Box 1447  
Darwin NT 0801  
Telephone: 08 8999 4031

or purchased from

Retail Sales  
Government Printing Office  
203 Stuart Highway, Parap  
Telephone: 08 8999 4031

Northern Territory Acts, Regulations and other Northern Territory Government legislation are only obtained from the Government Publications Office, Darwin.

The *Gazette* is available for perusal at the Government Printing Office.

**ALL REMITTANCES** should be made payable to: Receiver of Territory Monies, Government Printing Office and marked to the attention of the *Gazette* Office.

## OTHER ISSUES OF THE GAZETTE

**Special Gazettes** are published on urgent matters as required. Officers responsible for arranging the insertion of urgent notices should refer to the *Gazette* Officer on this subject. They are supplied free of charge to subscribers to the General Gazettes or are available separately for purchase from Retail Sales.

**Registration Gazettes** which are published periodically are available for purchase from Retail Sales.



Northern Territory Government

**Planning Act**

**NOTICE OF MAKING OF AMENDMENT TO NT PLANNING SCHEME AMENDMENT No. 260**

I, PETER GLEN CHANDLER, the Minister for Lands, Planning and the Environment, under section 28(1) of the *Planning Act*, give notice that-

- (a) I have, under section 25(2)(c) of the *Act*, amended the NT Planning Scheme by rezoning part Portion 2235 Hundred of Bagot from Zone RD (Restricted Development) to Zone SD42 (Specific Use Zone Darwin No. 42); and
- (b) copies of the amendment, (Amendment No. 260), are available from the Offices of the Department of Lands, Planning and the Environment, Ground Floor, 16 Parap Road, Parap.

Dated 25th February, 2013.

P. G. CHANDLER  
Minister for Lands, Planning  
and the Environment

1/11

**Mineral Titles Act**

**REVOCAION OF RESERVATION FROM OCCUPATION No. RO 1358**

I, JEREMY PAUL WHITFIELD, Director of Titles, as the delegate of the Minister for Mines and Energy, under section 113(4) of the *Mineral Titles Act* and with reference to regulation 92(2) of the Mineral Titles Regulations:

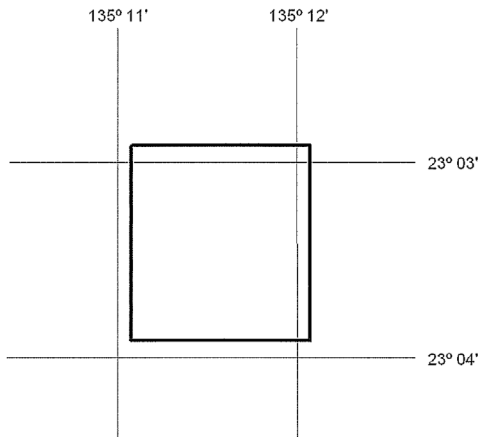
- (a) with effect on and from the date this instrument is published in the *Gazette*, revoke the Reservation from Occupation No. RO 1358 dated 30 July 1996 and published in *Gazette* No. M33 of 14 August 1996, the land to which the reservation applied being that shown on the plan in the Schedule bounded by the thick black line; and
- (b) state that the reason for the revocation of the Reservation from Occupation is that it is no longer required.

Dated 1st March, 2013.

J. P. WHITFIELD  
Director of Titles

**SCHEDULE**

**LOCALITY QUARTZ**



**RO1358**  
**3.16 sq km**

Datum: GDA94

2/11

**Mineral Titles Act**

**REVOCAION OF RESERVATION FROM OCCUPATION No. RO 1359**

I, JEREMY PAUL WHITFIELD, Director of Titles, as the delegate of the Minister for Mines and Energy, under section 113(4) of the *Mineral Titles Act* and with reference to regulation 92(2) of the Mineral Titles Regulations:

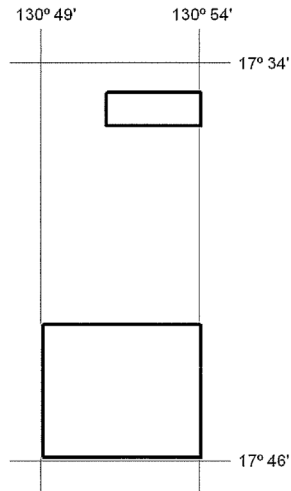
- (a) with effect on and from the date this instrument is published in the *Gazette*, revoke the Reservation from Occupation No. RO 1359 dated 30 July 1996 and published in *Gazette* No. M33 of 14 August 1996, the land to which the reservation applied being that shown on the plan in the Schedule bounded by the thick black lines; and
- (b) state that the reason for the revocation of the Reservation from Occupation is that it is no longer required.

Dated 1st March, 2013.

J. P. WHITFIELD  
Director of Titles

**SCHEDULE**

**LOCALITY WATSON**



**RO1359**  
**75.25 sq km**

Datum: GDA94

3/11

**Mineral Titles Act**

**REVOCAION OF RESERVATION FROM OCCUPATION No. RO 1363**

I, JEREMY PAUL WHITFIELD, Director of Titles, as the delegate of the Minister for Mines and Energy, under section 113(4) of the *Mineral Titles Act* and with reference to regulation 92(2) of the Mineral Titles Regulations:

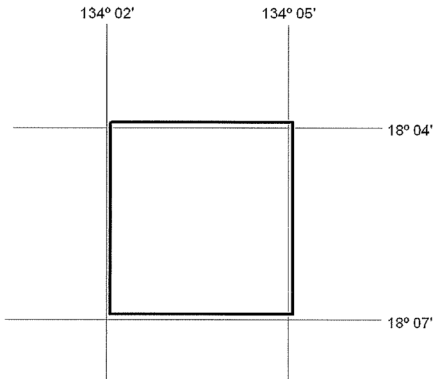
- (a) with effect on and from the date this instrument is published in the *Gazette*, revoke the Reservation from Occupation No. RO 1363 dated 23 April 1997 and published in *Gazette* No. M18 of 7 May 1997, the land to which the reservation applied being that shown on the plan in the Schedule bounded by the thick black line; and
- (b) state that the reason for the revocation of the Reservation from Occupation is that it is no longer required.

Dated 1st March, 2013.

J. P. WHITFIELD  
Director of Titles

SCHEDULE

LOCALITY MONMOONA



RO1363  
29.38 sq km

Datum: GDA94

4/11

Mineral Titles Act

REVOCAION OF RESERVATION FROM  
OCCUPATION No. RO 1369

I, JEREMY PAUL WHITFIELD, Director of Titles, as the delegate of the Minister for Mines and Energy, under section 113(4) of the *Mineral Titles Act* and with reference to regulation 92(2) of the Mineral Titles Regulations:

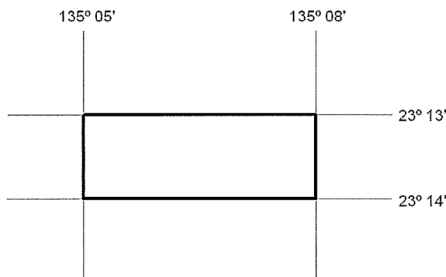
- (a) with effect on and from the date this instrument is published in the *Gazette*, revoke the Reservation from Occupation No. RO 1369 dated 2 May 1997 and published in *Gazette* No. S13 of 6 May 1997, the land to which the reservation applied being that shown on the plan in the Schedule bounded by the thick black line; and
- (b) state that the reason for the revocation of the Reservation from Occupation is that it is no longer required.

Dated 1st March, 2013.

J. P. WHITFIELD  
Director of Titles

SCHEDULE

LOCALITY QUARTZ



RO1369  
9.47 sq km

Datum: GDA94

5/11

Mineral Titles Act

REVOCAION OF RESERVATION FROM  
OCCUPATION No. RO 25911

I, JEREMY PAUL WHITFIELD, Director of Titles, as the delegate of the Minister for Mines and Energy, under section 113(4) of the *Mineral Titles Act* and with reference to regulation 92(2) of the Mineral Titles Regulations:

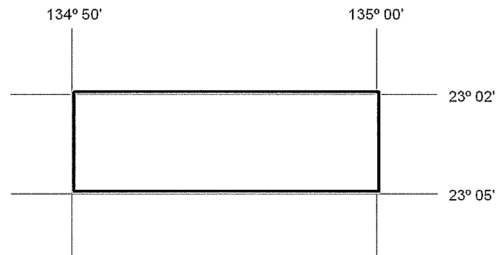
- (a) with effect on and from the date this instrument is published in the *Gazette*, revoke the Reservation from Occupation No. RO 25911 dated 14 September 2007 and published in *Gazette* No. G39 of 26 September 2007, the land to which the reservation applied being that shown on the plan in the Schedule bounded by the thick black line; and
- (b) state that the reason for the revocation of the Reservation from Occupation is that it is no longer required.

Dated 1st March, 2013.

J. P. WHITFIELD  
Director of Titles

SCHEDULE

LOCALITY RIDDOCH



RO25911  
94.81 sq km

Datum: GDA94

6/11

Mineral Titles Act

REVOCAION OF RESERVATION FROM  
OCCUPATION No. RO 25914

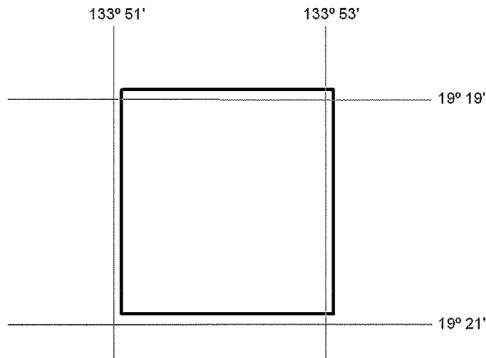
I, JEREMY PAUL WHITFIELD, Director of Titles, as the delegate of the Minister for Mines and Energy, under section 113(4) of the *Mineral Titles Act* and with reference to regulation 92(2) of the Mineral Titles Regulations:

- (a) with effect on and from the date this instrument is published in the *Gazette*, revoke the Reservation from Occupation No. RO 25914 dated 14 September 2007 and published in *Gazette* No. G39 of 26 September 2007, the land to which the reservation applied being that shown on the plan in the Schedule bounded by the thick black line; and
- (b) state that the reason for the revocation of the Reservation from Occupation is that it is no longer required.

Dated 1st March, 2013.

J. P. WHITFIELD  
Director of Titles

SCHEDULE  
LOCALITY SHORT RANGE



**RO25914**  
**12.96 sq km**

Datum: GDA94

7/11

**Mineral Titles Act**

REVOCATION OF RESERVATION FROM  
OCCUPATION No. RO 26349

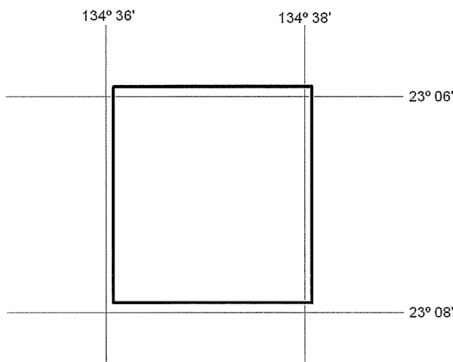
I, JEREMY PAUL WHITFIELD, Director of Titles, as the delegate of the Minister for Mines and Energy, under section 113(4) of the *Mineral Titles Act* and with reference to regulation 92(2) of the Mineral Titles Regulations:

- (a) with effect on and from the date this instrument is published in the *Gazette*, revoke the Reservation from Occupation No. RO 26349 dated 14 September 2007 and published in *Gazette* No. G39 of 26 September 2007, the land to which the reservation applied being that shown on the plan in the Schedule bounded by the thick black line; and
- (b) state that the reason for the revocation of the Reservation from Occupation is that it is no longer required.

Dated 1st March, 2013.

J. P. WHITFIELD  
Director of Titles

SCHEDULE  
LOCALITY WATSON



**RO26349**  
**12.64 sq km**

Datum: GDA94

8/11

**Mineral Titles Act**

REVOCATION OF RESERVATION FROM  
OCCUPATION No. RO 26347

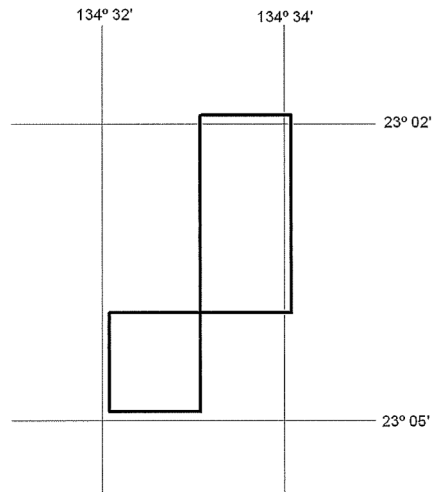
I, JEREMY PAUL WHITFIELD, Director of Titles, as the delegate of the Minister for Mines and Energy, under section 113(4) of the *Mineral Titles Act* and with reference to regulation 92(2) of the Mineral Titles Regulations:

- (a) with effect on and from the date this instrument is published in the *Gazette*, revoke the Reservation from Occupation No. RO 26347 dated 14 September 2007 and published in *Gazette* No. G39 of 26 September 2007, the land to which the reservation applied being that shown on the plan in the Schedule bounded by the thick black lines; and
- (b) state that the reason for the revocation of the Reservation from Occupation is that it is no longer required.

Dated 1st March, 2013.

J. P. WHITFIELD  
Director of Titles

SCHEDULE  
LOCALITY RIDDOCH



**RO26347**  
**9.48 sq km**

Datum: GDA94

9/11

**Mineral Titles Act**

REVOCATION OF RESERVATION FROM  
OCCUPATION No. RO 26351

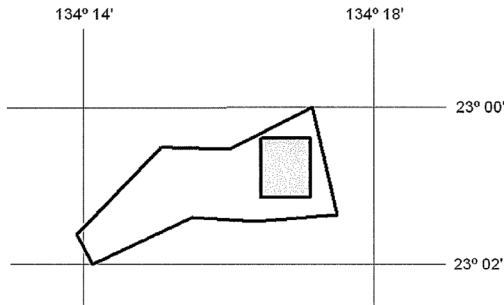
I, JEREMY PAUL WHITFIELD, Director of Titles, as the delegate of the Minister for Mines and Energy, under section 113(4) of the *Mineral Titles Act* and with reference to regulation 92(2) of the Mineral Titles Regulations:

- (a) with effect on and from the date this instrument is published in the *Gazette*, revoke the Reservation from Occupation No. RO 26351 dated 14 September 2007 and published in *Gazette* No. G39 of 26 September 2007, the land to which the reservation applied being the land that is shown unshaded within the thick black lines on the plan in the Schedule; and
- (b) state that the reason for the revocation of the Reservation from Occupation is that it is no longer required.

Dated 1st March, 2013.

J. P. WHITFIELD  
Director of Titles

SCHEDULE  
LOCALITY LAUGHLEN



RO26351  
8.70 sq km

Datum: GDA94

10/11

Mineral Titles Act

REVOCAION OF RESERVATION FROM  
OCCUPATION No. RO 26358

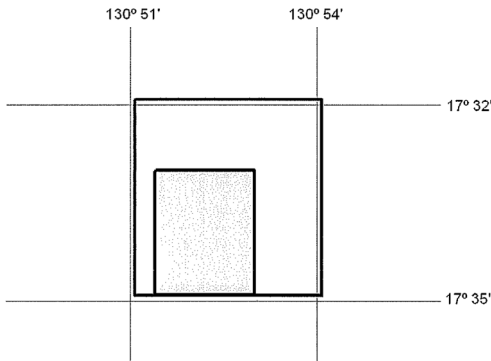
I, JEREMY PAUL WHITFIELD, Director of Titles, as the delegate of the Minister for Mines and Energy, under section 113(4) of the *Mineral Titles Act* and with reference to regulation 92(2) of the Mineral Titles Regulations:

- (a) with effect on and from the date this instrument is published in the *Gazette*, revoke the Reservation from Occupation No. RO 26358 dated 14 September 2007 and published in *Gazette* No. G39 of 26 September 2007, the land to which the reservation applied being the land that is shown unshaded within the thick black lines on the plan in the Schedule; and
- (b) state that the reason for the revocation of the Reservation from Occupation is that it is no longer required.

Dated 1st March, 2013.

J. P. WHITFIELD  
Director of Titles

SCHEDULE  
LOCALITY WATSON



RO26358  
19.52 sq km

Datum: GDA94

11/11

Traffic Act  
Traffic Regulations

AUTHORISED OPERATORS OF PRESCRIBED  
BREATH ANALYSIS INSTRUMENT

I, JEANETTE KERR, Commander, Professional Development Command, in pursuance of regulation 59 of the Traffic Regulations, being of the opinion that each member of the Police Force whose name appears in the attached Schedule is: -

- (a) trained in the use of a prescribed breath analysis instrument known as the Drager Alcotest 7110; and
- (b) capable of using that prescribed breath analysis instrument correctly,

Authorise those members of the Police Force to use that prescribed breath analysis instrument for the purpose of the *Traffic Act*.

Dated 4th March, 2013.

J. KERR  
Commander  
Professional Development  
Command

SCHEDULE 1

Surname	First Name	Reg Number
CHISHOLM	Danielle	7320

12/11

Petroleum Act

NOTIFICATION OF GRANT OF  
RETENTION LICENCE RL3

I, DEBBY ANNE JAMES, the Petroleum Registrar and the delegate of the Minister for Mines and Energy by virtue of an instrument of delegation dated 30 October 2012, in pursuance of Section 70(b) of the *Petroleum Act*, give notice that an application for a retention licence has been made by:

- Helium Australia Pty Ltd (ACN 078 104 006)

consisting of six (6) blocks being listed below:

Block Nos

Map Sheet SF53 (ALICE SPRINGS)  
3408 3409

Block Nos

Map Sheet SG53 (OODNADATTA)  
24 25 96 97

Dated 8th March, 2013.

D. A. JAMES  
Petroleum Registrar

13/11

Petroleum Act

NOTIFICATION OF GRANT OF  
RETENTION LICENCE RL4

I, DEBBY ANNE JAMES, the Petroleum Registrar and the delegate of the Minister for Mines and Energy by virtue of an instrument of delegation dated 30 October 2012, in pursuance of Section 70(a) of the *Petroleum Act*, give notice that an application for a retention licence has been made by:

- Helium Australia Pty Ltd (ACN 078 104 006)

consisting of six (6) blocks being listed below:

**Block Nos**

Map Sheet SF53 (ALICE SPRINGS)  
3410 3411

**Block Nos**

Map Sheet SG53 (ODNADATTA)  
26 27 28 (part) 98 99 100 (part)

Dated 8th March, 2013.

D. A. JAMES  
Petroleum Registrar

14/11

**Territory Parks and Wildlife Conservation Act**  
NOTIFICATION OF DISALLOWANCE

IT IS HEREBY NOTIFIED for general information that the Legislative Assembly pursuant to section 19(2) of the *Territory Parks and Wildlife Conservation Act* on 21 February 2013 passed a resolution disallowing the Joint Management Plan, Mary River National Park, January 2012 (Paper 1774) deemed to have been tabled in the Legislative Assembly on 23 October 2012; and Plan of Management, Litchfield National Park, December 2011 (Paper 37) deemed to have been tabled in the Legislative Assembly on 24 October 2012.

Dated 8th March, 2013.

I. McNEILL  
Clerk of the  
Legislative Assembly

15/11

**Planning Act**

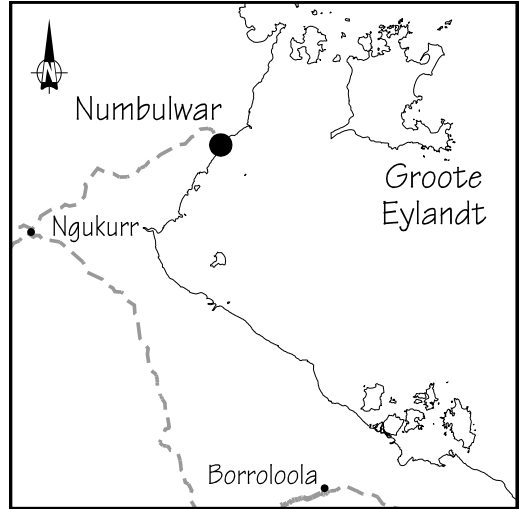
NOTICE OF EXHIBITION OF PROPOSAL  
TO AMEND NT PLANNING SCHEME  
PA2012/0531

I, PETER GLEN CHANDLER, the Minister for Lands Planning and the Environment, with reference to section 17 of the *Planning Act*, give notice of the following:

- (a) a proposal to amend the NT Planning Scheme, numbered PA2012/0531 as referred to in (e), is to be exhibited under Division 3 of Part 2 of the *Act*;
- (b) the amendment is to be exhibited at the following location:  
Office of the Department of Lands, Planning and the Environment Ground Floor, Amhemica House, 16 Parap Road, Parap  
Office of the Department of Lands, Planning and the Environment First Floor, Katherine Government Centre, 5 First Street, Katherine
- (c) the period of exhibition is for 28 days, commencing upon first newspaper publication of the notice required by section 17(1);
- (d) written submissions in respect of this exhibition should be made to:  
Rick Burgess  
Lands Planning  
Department of Lands, Planning and the Environment  
GPO Box 1680  
DARWIN NT 0801 or  
Fax: (08) 8999 7189 or  
Email: [planning@nt.gov.au](mailto:planning@nt.gov.au)
- (e) the proposed amendment is to the NT Planning Scheme, to introduce an area plan and zoning map for the township of Numbulwar.

Dated 1st March, 2013.

P. G. CHANDLER  
Minister for Lands, Planning  
and the Environment



16/11

**Planning Act**

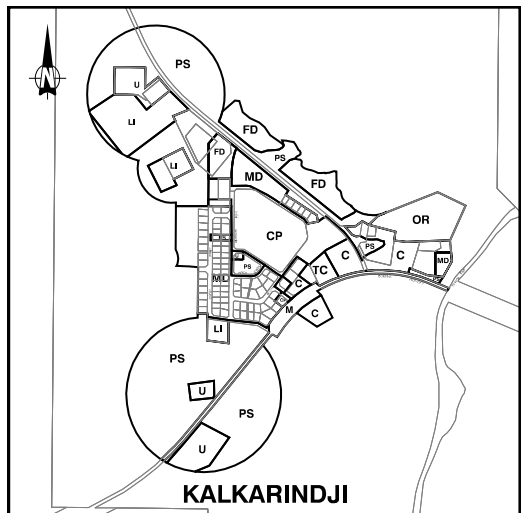
NOTICE OF AMENDMENT OF NT PLANNING  
SCHEME AMENDMENT No. 258

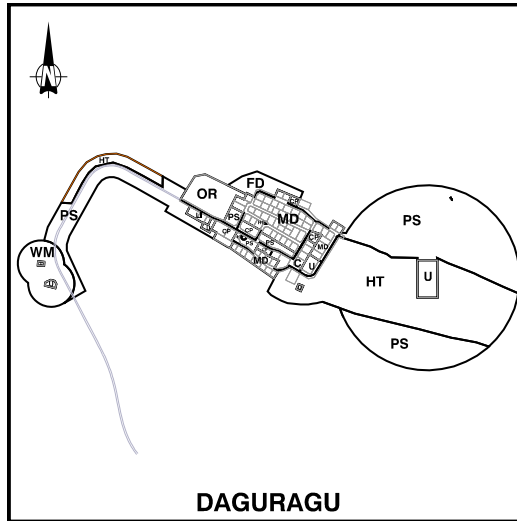
I, PETER GLEN CHANDLER, the Minister for Lands, Planning and the Environment, under section 28(1) of the *Planning Act*, give notice that -

- (a) I have, under section 25(2)(a) of the *Act*, amended the NT Planning Scheme by introducing an area plan for Kalkarindji and Daguragu in Part 8 of the NT Planning Scheme; and by zoning Kalkarindji and Daguragu in accordance with the zoning map; and
- (b) copies of the amendment, (Amendment No. 258) are available from the Offices of the Department of Lands, Planning and the Environment, Ground floor, Amhemica House, 16 Parap Road, Darwin.

Dated 19th February, 2013.

P. G. CHANDLER  
Minister for Lands, Planning  
and the Environment





17/11

**CONTRACTS AWARDED**

Reference	Service or Material	Value	Contractor
		\$	
<b>OFFICE OF THE DIRECTOR OF PUBLIC PROSECTIONS</b>			
1046378	External Counsel	124 454	Lesley Taylor QC, Foley's List

18/11

NORTHERN TERRITORY GOVERNMENT PRINTING OFFICE

**GENERAL GAZETTE PUBLICATIONS FOR 2013**

Gazette Number	Publication Date	Closing Date
<del>G1</del>	2 January	24 December
<del>G2</del>	9 January	2 January
<del>G3</del>	16 January	9 January
<del>G4</del>	23 January	16 January
<del>G5</del>	30 January	23 January
<del>G6</del>	6 February	30 January
<del>G7</del>	13 February	6 February
<del>G8</del>	20 February	13 February
<del>G9</del>	27 February	20 February
<del>G10</del>	6 March	27 February
<del>G11</del>	13 March	6 March
<del>G12</del>	20 March	13 March
G13	27 March	20 March
G14	3 April	27 March
G15	10 April	3 April
G16	17 April	10 April
G17	24 April	17 April
G18	1 May	24 April
G19	8 May	1 May
G20	15 May	8 May
G21	22 May	15 May
G22	29 May	22 May
G23	5 June	29 May
G24	12 June	5 June
G25	19 June	12 June
G26	26 June	19 June
G27	3 July	26 June
G28	10 July	3 July
G29	17 July	10 July
G30	24 July	17 July
G31	31 July	24 July
G32	7 August	31 July
G33	14 August	7 August
G34	21 August	14 August
G35	28 August	21 August
G36	4 September	28 August
G37	11 September	4 September
G38	18 September	11 September
G39	25 September	18 September
G40	2 October	25 September
G41	9 October	2 October
G42	16 October	9 October
G43	23 October	16 October
G44	30 October	23 October
G45	6 November	30 October
G46	13 November	6 November
G47	20 November	13 November
G48	27 November	20 November
G49	4 December	27 November
G50	11 December	4 December
G51	18 December	11 December

General *Gazette* publications for 2013 will be on **Wednesday's**, with the closing date for notices being the previous **Wednesday at 4.00pm.**

Notices not received by the closing time will be held over until the next issue.

All notices for publications must have a covering note with Telephone, Facsimile Number and any special requirements required.

Further information may be obtained from the **Gazette Officer** on:-

Telephone: **8999 4005**  
 Facsimile: **8999 4037**  
 Email: **ray.ellen@nt.gov.au**  
**scott.sekulich@nt.gov.au**

When Emailing notices they should be sent to the two above mail addresses.

**For all Subscription Enquiries:**

Telephone: **8999 4031**  
 Facsimile: **8999 4001**

**NT PUBLIC HOLIDAYS 2013**

<b>1 January</b>	<b>New Years Day</b>
<b>28 January</b>	<b>Australia Day</b>
<b>29 March</b>	<b>Good Friday</b>
<b>30 March</b>	<b>Easter Saturday</b>
<b>1 April</b>	<b>Easter Monday</b>
<b>25 April</b>	<b>Anzac Day</b>
<b>6 May</b>	<b>May Day</b>
<b>10 June</b>	<b>Queen's Birthday</b>
<b>8 June</b>	<b>Borroloola Show Day</b>
<b>5 July</b>	<b>Alice Springs Show Day</b>
<b>12 July</b>	<b>Tennant Creek Show Day</b>
<b>19 July</b>	<b>Katherine Show Day</b>
<b>26 July</b>	<b>Darwin Show Day</b>
<b>5 August</b>	<b>Picnic Day</b>
<b>25 December</b>	<b>Christmas Day</b>
<b>26 December</b>	<b>Boxing Day</b>