



Northern Territory of Australia

Government Gazette

ISSN-0157-8324

No. G50

12 December 2018

Christmas/New Year Publication

The Office of the Parliamentary Counsel will be closed from Tuesday 25 December to Tuesday 1 January inclusive.

The last General Gazette for 2018 will be published on Wednesday 19 December.

The first General Gazette for 2019 will be published on Thursday 3 January.

Special gazettes can be published up to 12 noon on Monday 24 December and from Wednesday 2 January 2019.

General information

The Gazette is published by the Office of the Parliamentary Counsel.

The Gazette will be published every **Wednesday**, with the closing date for notices being the previous Friday at 4.00 pm.

Notices not received by the closing time will be held over until the next issue.

Notices will not be published unless a Gazette notice request form together with a copy of the signed notice and a clean copy of the notice in Word or PDF is emailed to gazettes@nt.gov.au

Notices will be published in the next issue, unless urgent publication is requested.

Availability

The Gazette will be available online at 12 Noon on the day of publication at <https://nt.gov.au/about-government/gazettes>

Unauthorised versions of Northern Territory Acts and Subordinate legislation are available online at <https://legislation.nt.gov.au/>

Northern Territory of Australia

Local Government Act

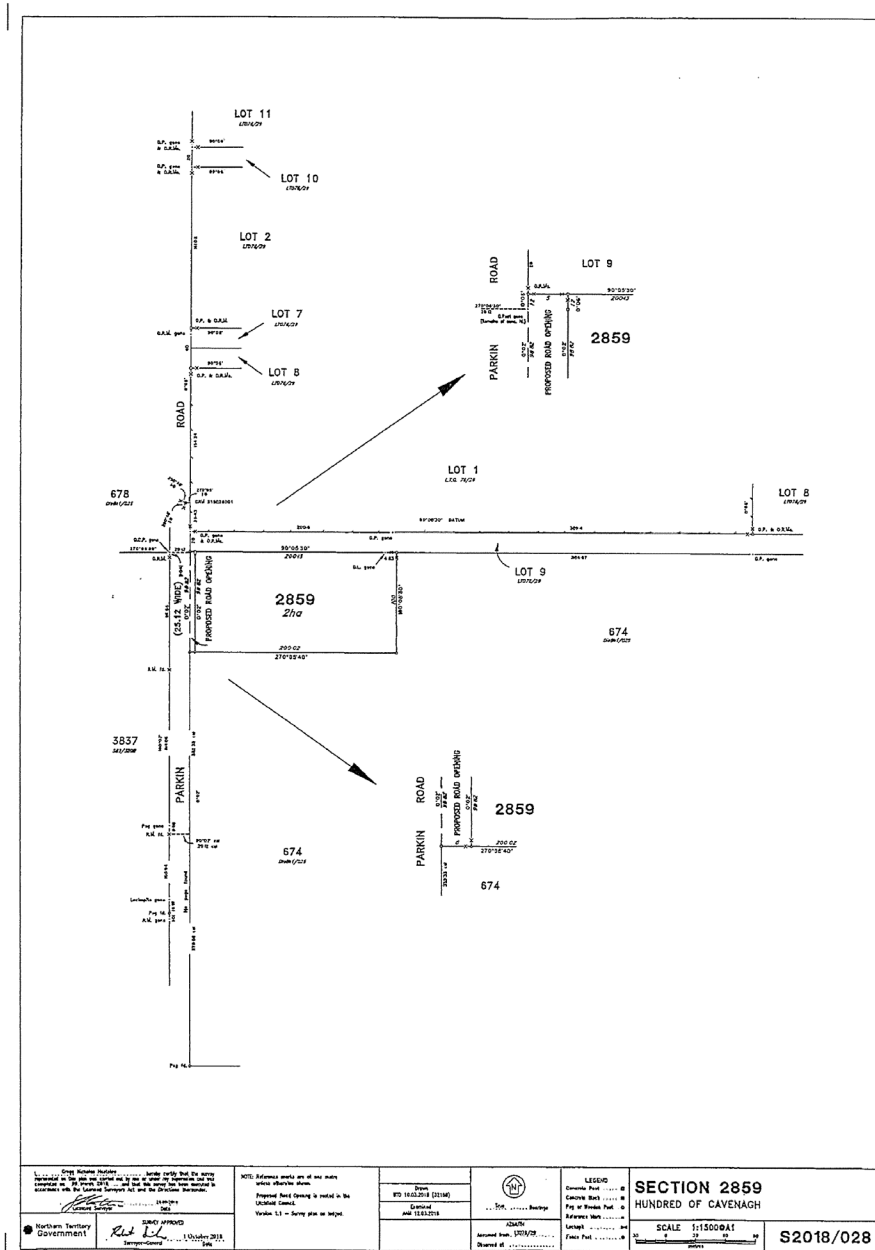
Vesting of Crown Land in Litchfield Council

I, Gerald Francis McCarthy, Minister for Housing and Community Development, under section 185(2) of the *Local Court Act*, vest in Litchfield Council as a road the part of section 674, Hundred of Cavenagh, as shown on Survey Plan S2018/028 in the Schedule.

Dated 28 November 2018

G. F. McCarthy
Minister for Housing and Community Development

Schedule



Northern Territory

Associations Act

Notice of Dissolution of Associations

I, Malcolm John Bryant, as a delegate of the Commissioner, pursuant to section 65(5) of the *Associations Act*, give notice that the associations specified in the Schedule are dissolved.

Dated: 5 December 2018

M. J. Bryant
Delegate of Commissioner

Note: Enquiries should be directed to Malcolm Bryant at Licensing NT, Department of the Attorney-General and Justice, Level 3, NAB House, 71 Smith Street, Darwin. Phone: (08) 8999 1339 or email agd.licensingnt@nt.gov.au.

Schedule

01761c	Just Rock Alice Springs Incorporated
IA02899	Capoeira Angola Cultural Centre Australia (NT Branch) Incorporated
IA03013	COAT NT Chapter Incorporated
IA03044	Darwin Football League Incorporated
IA03084	Streetz Incorporated
IA03200	Omada Ellinon Greek Language Book Club Incorporated
IA03273	NT Fly Fishers Incorporated
IA03285	Territory Trails Incorporated

Northern Territory of Australia
Strehlow Research Centre Act
Strehlow Research Centre Board
Appointment of Members

I, Lauren Jane Moss, Minister for Tourism and Culture:

- (a) under section 14(1) of the *Strehlow Research Centre Act* and with reference to section 14(1)(a) of the Act, appoint Michael John Liddle to be a member of the Strehlow Research Centre Board (the **Board**) for 3 years on and from 1 January 2019; and
- (b) under section 14(1) of the Act and with reference to section 14(1)(d) of the Act, appoint Michael Anthony Sitzler to be a member of the Board for 3 years on and from 1 January 2019.

Dated 5 December 2018

L. J. Moss
Minister for Tourism and Culture

Northern Territory of Australia
Transport of Dangerous Goods by Road and Rail
(National Uniform Legislation) Act
Appointment of Officers

I, Stephen Hugh Gelding, the Competent Authority:

- (a) under section 23(1) of the *Transport of Dangerous Goods by Road and Rail (National Uniform Legislation) Act* and with reference to section 44 (1) of the *Interpretation Act*, terminate all appointments of authorised officers in force immediately before the date of this instrument; and
- (b) under section 23(1) of the *Transport of Dangerous Goods by Road and Rail (National Uniform Legislation) Act*, appoint the people named in the Schedule to be authorised officers and exercise the powers under:
 - a) sections 31, 32, 33, 34, 35, 36, 37, 38, 39, 40, 44, 45, 46, 47, 48, 49, 50, 54, 55, 56, 57, 58, 59, 62, 63, 64, 65, 86, 88, 90, 93, 95, 96 and 99 of the *Transport of Dangerous Goods by Road and Rail (National Uniform Legislation) Act*; and
 - b) regulation 232 of the *Transport of Dangerous Goods by Road and Rail (National Uniform Legislation) Regulations*.

The power to amend a notice pursuant to sections 88 and 96 is restricted to minor amendments:

- (i) for clarification; or
- (ii) to correct errors or references; or
- (iii) to reflect changes of address or other circumstances.

Dated 6 December 2018

S. H. Gelding
Work Health Authority

Schedule

Allan Crombie Fischer
Amber Louise Sayers
Andrew James Lucas
Anthony Paul Clifford
Anthony John Waite
Brian Cleary
Brian Wingrove
Bruce Wayne McKinley
Carolynne Murrell
Christos Despotis
Collins Dubere Gipey
David James Mallett
Fiona Louise Peters
Fred James Munro
Gillian Hylton
Joseph Peter Pisani
Kenneth John Orwell
Kerry Lee-Anne Barnaart
Maria Staunton
Maria Rigas
Neil William Burgess
Nigel Butler
Rebecca Sue Trimble
Robert Stanley Fereday
Robin Leslie Paget Smith
Stewart Pritchard
Stuart Dean Hand

Police officers of or above the rank of Constable

General Gazette Publication Dates 2019

Gazette Number	Publication Date	Closing Date
1	3 January	28 December
2	9 January	4 January
3	16 January	11 January
4	23 January	18 January
5	30 January	25 January
6	6 February	1 February
7	13 February	8 February
8	20 February	15 February
9	27 February	22 February
10	6 March	1 March
11	13 March	8 March
12	20 March	15 March
13	27 March	22 March
14	3 April	29 March
15	10 April	5 April
16	17 April	12 April
17	24 April	19 April
18	1 May	26 April
19	8 May	3 May
20	15 May	10 May
21	22 May	17 May
22	29 May	24 May
23	5 June	31 May
24	12 June	7 June
25	19 June	14 June
26	26 June	21 June
27	3 July	28 June
28	10 July	5 July

Gazette Number	Publication Date	Closing Date
29	17 July	12 July
30	24 July	19 July
31	31 July	26 July
32	7 August	2 August
33	14 August	9 August
34	21 August	16 August
35	28 August	23 August
36	4 September	30 August
37	11 September	6 September
38	18 September	13 September
39	25 September	20 September
40	2 October	27 September
41	9 October	4 October
42	16 October	11 October
43	23 October	18 October
44	30 October	25 October
45	6 November	1 November
46	13 November	8 November
47	20 November	15 November
48	27 November	22 November
49	4 December	29 November
50	11 December	6 December
51	18 December	13 December