



# Victoria Government Gazette

No. G 26 Thursday 2 July 1998

**GENERAL**

## GENERAL AND PERIODICAL GAZETTE

Copy to: Gazette Officer  
The Craftsman Press Pty. Ltd.  
125 Highbury Road,  
Burwood Vic 3125  
Telephone: (03) 9926 1233  
Facsimile: (03) 9926 1292  
DX: 32510 Burwood  
Email: gazette@craftpress.com.au

### Advertising Rates and Payment

#### Private Notices

Payment must be received in advance with advertisement details.

30 cents per word - Full page \$180.00.

Additional costs must be included in prepayment if a copy of the gazette is required. Copy Prices - Page \$1.50 - Gazette \$3.20 Certified copy of Gazette \$3.50. (all prices include Postage). **Cheques should be made payable to The Craftsman Press Pty. Ltd.**

#### Government and Outer Budget Sector Agencies Notices

Not required to pre-pay.

Advertisements may be faxed or sent via email with a cover sheet, marked to the attention of the Gazette Officer. Floppy Disks (Mac & PC) can also be accepted.

Costs can be calculated on the following basis:

Per Line	Typeset
Single column	\$1.55
Double column	\$3.10
Full Page	\$64.80

The Craftsman Press is pleased to offer a series of discounts from the typesetting costs.

1. Copy supplied on disk.
2. Copy supplied via email.
3. Artwork for forms and other material which require exact reproduction.

#### 1. Copy supplied on disk.

Where a disk is supplied and there is minimum alteration required, **30% off.**

Where a disk is supplied requiring extraneous matter stripped out and styles applied, **20% off.**

#### 2. Copy supplied via email.

Where a notice is sent via email and there is minimum alteration required, **25% off.**

Where email is supplied requiring extraneous matter stripped out and styles applied, **15% off.**

#### 3. Artwork for forms and other material which requires exact reproduction.

Scanning and sizing of artwork for forms, to be reproduced in page format, **35% off.**

#### Copy Deadline for General Gazette

9.30 a.m. Monday - (Private Notices)

9.30 a.m. Tuesday - (Government and Outer Budget Sector Agencies Notices)

### Advertisers should note:

- Late copy received at The Craftsman Press Pty. Ltd. after deadlines will be placed in the following issue of VGG, irrespective of any date/s mentioned in the copy (unless otherwise advised).
- Proofs will be supplied only when requested or at the direction of the Gazette Officer.
- No additions or amendments to material for publications will be accepted by telephone.
- Orders in Council may be lodged prior to receiving assent with the Governor's or Clerk's signature. They will only be published once approved and signed.
- Government and Outer Budget Sector Agencies please note: *See style requirements on back page.*

## SPECIAL GAZETTES

Copy to: Gazette Officer  
The Craftsman Press Pty. Ltd.  
125 Highbury Road,  
Burwood Vic 3125  
Telephone: (03) 9926 1233  
Facsimile: (03) 9926 1292  
Email: gazette@craftpress.com.au

### Advertising Rates and Payment

#### Private Notices

Full Page \$360.00

Payment must be received in advance with notice details.

#### Government and Outer Budget Sector Agencies Notices

Typeset  
Full Page \$87.50

#### Note:

The after hours number for Special Gazettes is:

Telephone: 0419 327 321

## SUBSCRIPTIONS AND RETAIL SALES

Copies of the Victoria Government Gazette can be purchased from The Craftsman Press Pty. Ltd. by subscription.

The Victoria Government Gazette

General and Special - \$170.00 each year

General, Special and Periodical - \$227.00 each year

Periodical - \$113.00 each year

Subscriptions are payable in advance and accepted for a period of one year. All subscriptions are on a firm basis and refunds will not be given.

**All payments should be made payable to The Craftsman Press Pty. Ltd.**

#### Subscription enquiries:

The Craftsman Press Pty. Ltd.  
125 Highbury Road, Burwood Vic 3125  
Telephone: (03) 9926 1233

# INDEX TO PRIVATE ADVERTISERS

<b>A</b>	<b>L</b>
A.B. Natoli Pty .....1676	Littleton Hackford .....1679
Aitken Walker & Strachan .....1677	
<b>B</b>	<b>M</b>
Banks & Associates .....1677	McCluskys .....1679
Behan & Speed .....1677	McKean & Park .....1679
Borchard & Moore .....1677	Mahonys .....1679
Bruce M. Cook & Associates .....1677	Mal. Ryan & Glen .....1680
	Middletons Moore & Bevins .....1680
<b>D</b>	Mills Oakley .....1680
De Marco & Co. ....1678	
Dwyer Mahon & Robertson .....1678	<b>N</b>
	National Mutual Trustees Limited .....1680
<b>E</b>	
Eales & Mackenzie .....1678	<b>O</b>
	Oakley Thompson & Co. ....1681
<b>G</b>	
Gray Friend & Long .....1678	<b>R</b>
	Rigby Cooke. ....1681
<b>H</b>	
Hugh F. Deakin .....1678	<b>T</b>
	Trumble & Palmer .....1681
<b>J</b>	
James Kelleher .....1679	<b>Y</b>
John Stewart .....1679	Young Hubbard & Co. ....1681
	Yuncken & Yuncken .....1681

## PRIVATE ADVERTISEMENTS

A Three-day Course  
Melbourne

## Investigation Methods

*(Law Enforcement and Compliance)™*

Education Design Systems Pty Limited, a professional and vocational education organisation, is offering a three-day course which aims to provide participants with the necessary knowledge and skills to undertake the duties of investigator in the context of their work environment.

The course is structured to provide a sequential learning experience and focuses on topics which include - Role of Investigator, Principles of Investigation, Procedural Fairness, Points of Proof, Evidence, Exhibits, Note-taking, Interview Techniques, Statements and Court Procedures.

In addition to discussions participants are involved in group exercises and a brief of evidence case-study.

**Dates:** Wednesday 26 to Friday 28 August 1998  
**Venue:** Level 2A, 256 Flinders Street  
**Cost:** \$850 (includes course handbook, morning & afternoon teas and Certificate of Attendance)

For further information contact Conference Co-ordinators on  
**Telephone:** (02) 6292 9000 - **Facsimile:** (02) 6292 9002  
**Email:** conference@netinfo.com.au

EDS AUSTRIA

Quality  
Employed  
Compliance  
Australia

**EDUCATION DESIGN SYSTEMS PTY LIMITED**  
Please note:  
Persons who successfully complete this course together with relevant work or industry experience will be considered for credit in the external *Graduate Certificate in Investigations* course offered by Charles Sturt University



**EDS**

Professional and Vocational Education

## VICTORIA

## ACT NO. 391 — FIRST SCHEDULE

I, Brian Vincent Finnigan, head or authorised representative of the denomination known as The Roman Catholic Church for the Diocese of Ballarat with the consent of The Roman Catholic Trusts Corporation for the Diocese of Ballarat trustee of the land described in the sub-joined statement of trustees and Father Kevin Arundell of Colac being the person or persons entitled to minister in or occupy a building or buildings upon the said land, hereby apply to the Governor of the State of Victoria for leave to dispose of the said land by the means and for the purposes mentioned in the said statement of trusts. And I hereby certify that the said land was reserved as a site for a Roman Catholic Place of Public Worship and general Roman Catholic Church purposes granted by the Crown on the 26th day of October 1854. That the only trustee of the said land resident in the State of Victoria is the said Roman Catholic Trusts Corporation for the

Diocese of Ballarat. That the only buildings upon the said land are the Roman Catholic Church building with Presbytery and that the only abovenamed Parish Priest is the person entitled to minister in or occupy the land and said buildings.

Dated this 24th day of July 1997.

Signature of head or authorised representative:  
BRIAN VINCENT FINNIGAN

The Seal of The Roman Catholic Trusts Corporation for the Diocese of Ballarat was hereto affixed by its Order in the presence of Brian V. Finnigan - Diocesan Administrator; M. A. Bromley - Member of the Corporation; J. Ryan - Corporation Trustee.

Signature of person entitled to minister in or occupy building or buildings

K. ARUNDELL  
(Parish Priest)

## STATEMENT OF TRUSTS

*Description of Land:* 8094 square metres Township of Cressy Parish of Cressy being Allotment 6A Section 1 commencing at the north-eastern angle of Allotment 6 Section 1 bounded thence by Dennis Street bearing 124°24' 80.47 metres thence by Lyon Street bearing 214°24' 100.58 metres thence by Tennant Street bearing 302°24' 80.47 metres and thence by Allotment 6 bearing 34°24' 100.58 metres to the point of commencement.

*Name of Trustee:* The Roman Catholic Trusts Corporation for the Diocese of Ballarat of 9 Lyons Street South, Ballarat.

*Powers of Disposition:* Such powers of disposition including powers of sale, lease or mortgage as are contained in the **Roman Catholic Trusts Act 1907**.

*Purposes to which Proceeds of Disposition are to be applied:* To such Roman Catholic Church purposes as shall be approved by the Trustee.

## VICTORIA

## ACT 391 — FIRST SCHEDULE

I, The Most Reverend Peter Joseph Connors of Lot 3 Sunraysia Drive, Miners Rest, head or authorised representative of the denomination known as The Roman Catholic Church for the Diocese of Ballarat with the consent of the

corporation styled The Roman Catholic Trusts Corporation for the Diocese of Ballarat of 5 Lyons Street South, Ballarat, trustee for the attached statement of trusts, hereby apply to the Governor of the State of Victoria for leave to dispose of the said land by the means and for the purposes mentioned in the said statement of trusts, and I hereby certify that the said land was permanently reserved as a site for a Roman Catholic Place of Public Worship by Order in Council of 27 November 1862, that the only trustee of the said land is the said corporation styled The Roman Catholic Trusts Corporation for the Diocese of Ballarat, that there are no persons entitled to minister in or occupy the land, and that the only buildings on the said land are a church and toilet.

Dated 16 June 1998.

Signature of head:  
PETER J. CONNORS

We consent to this application:

The Seal of The Roman Catholic Trusts Corporation for the Diocese of Ballarat was hereto affixed by its Order in the presence of Peter Joseph Connors, Bishop; M. A. Bromley, Member of the Corporation; A. F. Godfrey, Corporate Trustee.

#### STATEMENT OF TRUSTS

*Description of Land:* Site for Roman Catholic Church purposes permanently reserved by Order in Council of 27 November 1862. 8094 square metres, Township of Buninyong, Parish of Buninyong, being Allotment 1A, section 21. Commencing at the north-western angle of allotment 4, section 21; bounded thence by that allotment and allotment 17 bearing 194°44' 100.58 metres; thence by a road bearing 284°44' 80.47 metres; thence by Fiskin Street bearing 14°44' 100.58 metres and thence by Scott Street bearing 104°44' 80.47 metres to the point of commencement.

*Name of Trustees:* The Roman Catholic Trusts Corporation for the Diocese of Ballarat of 5 Lyons Street South, Ballarat.

*Powers of Disposition:* Such powers of disposition including powers of sale, lease or mortgage as are contained in the **Roman Catholic Trusts Act 1907**.

*Purposes to which Proceeds of Dispositions are to be Applied:* To such Roman Catholic Church purposes as shall be approved by the Trustee.

#### DISSOLUTION OF PARTNERSHIP

Notice is given pursuant to sections 40 and 41 of the **Partnership Act 1958 (Victoria)** that David Ronald Davis of 29 Coalville Road, Moe, will retire from the legal partnership known as Kevin Davine and Sons of 51 Albert Street, Moe, 3/1 Barkley Street, Warragul, Level 1, RACV Building, 32 Kay Street, Traralgon and 4 Kintore Street, Camberwell, formerly conducted between himself, Paul Matthew Davine of 79 Victoria Street, Warragul, David Christopher Power of 4 Kintore Street, Camberwell and George Robert Davis of 10 Merton Court, Moe as of Tuesday 30 June, 1998 and from that date David Ronald Davis will no longer be liable for the debts of that partnership.

---

PETER JOHN LINEHAN, late of 1 Eagle Court, Vermont South, Victoria, Accountant, deceased. Creditors, next-of-kin and others having claims in respect of the estate of the abovenamed deceased, who died on 9 April 1998 are required by Leanne Bridget Linehan of 1 Eagle Court, Vermont South, Victoria, secretary, the executrix of the deceased's Will, to send particulars of their claim to the said executrix care of the undermentioned solicitor by 15 August 1998 after which date they will convey or distribute the assets having regard only to the claims which they then have notice.

A. B. NATOLI PTY, solicitors of 24 Cotham Road, Kew 3101.

---

ETHEL MAY, late of 535 High Street, Kew, Victoria, widow, deceased. Creditors, next-of-kin and others having claims in respect of the estate of the abovenamed deceased, who died on 24 April 1998 are required by William Morton of 80 Bonds Road, Lower Plenty, Victoria, retired newsagent, the executor of the deceased's Will, to send particulars of their claim to the said executor care of the undermentioned solicitor by 15 August 1998 after which date they will convey or distribute the assets having regard only to the claims which they then have notice.

A. B. NATOLI PTY, solicitors of 24 Cotham Road, Kew 3101.

---

BESSIE THELMA JOHNSON, formerly of 18 Glenbrook Avenue, East Malvern, but late of 78 Nirvana Avenue, Malvern, widow, deceased. Creditors, next-of-kin and others having claims in respect of the estate of the deceased, who died on 28 February 1998 are required by the personal representatives, Equity Trustees Limited of 472 Bourke Street, Melbourne, to send particulars of their claims to them care of the undermentioned solicitors by 10 September 1998 after which date the personal representatives may convey or distribute the assets having regard only to the claims of which they then have notice.

AITKEN WALKER & STRACHAN, solicitors,  
114 William Street, Melbourne 3000.

---

Creditors, next-of-kin or others having claims in respect of the estate of MARY KATHLEEN YOUNG late of 63 Wandsworth Road, Surrey Hills, Victoria, home duties, deceased, who died 11 January 1998 are to send particulars of their claims to the executors, Edward Hugh Learmonth Young and Heather Mary Schober care of the undermentioned solicitors by 10 September 1998 after which date the executors will distribute the assets having regard only to the claims of which the executors then have notice.

BANKS & ASSOCIATES, lawyers  
Level 1, 71 Queens Road, Melbourne Vic  
3004.

---

ERNEST VICTOR SIMPKINS (deceased) of Dicker Wing, Wangaratta and District Nursing Home, Dixon Street, Wangaratta. Creditors, next-of-kin and others having claims in respect of the estate of the abovenamde deceased, who died on 20 May 1998 are to send particulars of their claims to the executors, Francis Ruggiero and Mark David White care of the undermentioned solicitors by 2 September 1998 after which date the said executors may convey or distribute the assets having regard only to the claims of which they then have notice.

BEHAN & SPEED, solicitors, 270 Bay Street,  
Port Melbourne 3207.

---

Creditors, next-of-kin and others having claims in respect of the estate of DESMOND SKIDMORE, late of 75 Cutter Street,

Richmond, Victoria, retired, deceased, who died on 18 April 1998 are required to send particulars of their claims to the administrator care of the undermentioned solicitors by 28 August 1998 after which date the administrator will distribute the assets having regard only to the claims for which notice has been received.

BORCHARD & MOORE, solicitors of 44  
Douglas Street, Noble Park.

---

Creditors, next-of-kin or others having claims in respect of the estate of THOMAS CHRISTIAN BISCHOF late of 2 Beryl Street, Burwood in the state of Victoria, teacher, who died 28 November 1996, are to send particulars of their claims to the executor care of the undermentioned solicitors by 3 September, 1998, after which date the executor will distribute the assets having regard only to the claims of which she then has notice.

BRUCE M. COOK & ASSOCIATES,  
barristers & solicitors  
GPO Box 2398V Melbourne, Vic 3001.

---

Creditors, next-of-kin or others having claims in respect of the estate of MORRIS EDWARD COX late of 114 Melbourne Street, Mulwala in the state of New South Wales, retired factory manager, who died 24 August 1997, are to send particulars of their claims to the executors care of the undermentioned solicitors by 3 September, 1998, after which date the executors will distribute the assets having regard only to the claims of which they then have notice.

BRUCE M. COOK & ASSOCIATES,  
barristers & solicitors  
GPO Box 2398V Melbourne, Vic 3001.

---

Creditors, next-of-kin or others having claims in respect of the estate of GEORGE ANDREW HEAD late of 11 Louise Street, Brighton in the state of Victoria, retired, who died 6 October, 1997 are to send particulars of their claims to the executor care of the undermentioned solicitors by 3 September, 1998 after which date the executor will distribute the assets having regard only to the claims of which she then has notice.

BRUCE M. COOK & ASSOCIATES,  
barristers & solicitors  
GPO Box 2398V Melbourne, Vic 3001.

---

Creditors, next-of-kin or others having claims in respect of the estate of BARBARA McNEILL late of 10 Bayley Grove, Doncaster in the state of Victoria, gentlewoman who died 10 July, 1997 are to send particulars of their claims to the executor care of the undermentioned solicitors by 3 September, 1998 after which date the executor will distribute the assets having regard only to the claims of which she then has notice.

BRUCE M. COOK & ASSOCIATES,  
barristers & solicitors  
GPO Box 2398V Melbourne, Vic 3001.

---

Creditors, next-of-kin or others having claims in respect of the estate of LAURENCE ARTHUR PHILLIPS late of 37 Longmore Street, West St Kilda in the state of Victoria, company director who died 21 September 1997, are to send particulars of their claims to the executors care of the undermentioned solicitors by 3 September, 1998, after which date the executors will distribute the assets having regard only to the claims of which they then have notice.

BRUCE M. COOK & ASSOCIATES,  
barristers & solicitors  
GPO Box 2398V Melbourne, Vic 3001.

---

Creditors, next-of-kin or others having claims in respect of the estate of SVETOZAR NIKOLIC, late of 22 Isla Avenue, Glenroy, Victoria, pensioner, deceased, who died on 5 May 1998 are to send particulars of their claims to the executor care of the undermentioned solicitors by 19 August 1998 after which date the executor will distribute the assets having regard only to the claims of which the executor then has notice.

DE MARCO & CO., solicitors, 209 Glenroy Road, Glenroy 3046.

---

Creditors, next-of-kin or others having claims in respect of the estate of CORRADO SIROLI, late of 91 Gray Street, Swan Hill, Victoria, mechanic, deceased, who died on 21 April 1998 are to send particulars of their claims to the executors care of the undermentioned solicitors by 26 August 1998

after which date the executors will distribute the assets having regard only to the claims of which the executors then have notice.

DWYER MAHON & ROBERTSON, lawyers & consultants, 194-208 Beveridge Street, Swan Hill.

---

Creditors, next-of-kin or others having claims in respect of the estate of HENDRIK BOLT late of 4 Kurong Avenue, Frankston, Victoria, linesman deceased who died on 4 February 1998 are to send particulars of their claims to the executors care of the undermentioned solicitors by 31 July 1998 after which date the executors will distribute the assets having regard only to the claims of which the executors then have notice.

EALES & MACKENZIE, solicitors 114-116 Main Street, Lilydale.

---

ELIZABETH LAIDLAW, late of Fairview Homes, Sargeant Street, Warragul, widow, deceased. Creditors, next-of-kin and others having claims in respect of the estate of the deceased, who died on 24 April 1998 are required by the trustees, Carolyn Elizabeth Aparo and Neville George Batten to send particulars of their claims to them care of the undersigned solicitors by 2 September 1998 after which date the trustees may convey or distribute the assets having regard only to the claims of which they then have notice.

GRAY FRIEND & LONG, solicitors, 70 Queen Street, Warragul 3820.

---

Creditors, next-of-kin or others having claims in respect of the estate of UNA MARY GUPPY late of 26 Feiglin Road, Orrvale, Victoria, home duties, deceased who died on 24 October 1964, are to send particulars of their claims to the administrator care of the undermentioned solicitors by 7 September, 1998 after which date the administrator will distribute the assets having regard only to the claims of which the administrator then has notice.

HUGH F. DEAKIN, solicitor  
21 Chaucer Crescent, Canterbury.

---

LUCY MAY CROSSMAN, late of Unit 3/11 Pasley Street, Sunbury, Victoria, home duties, deceased. Creditors, next-of-kin and others having claims in respect of the estate of the deceased, who died on 6 March 1998 are required by the trustee and executrix, Gwendoline Dawn Crossman, of RMB 1675 Main Road, Romsey, Victoria, secretary, to send particulars to her at the address appearing below by 31 August 1998 after which date the trustee and executrix may convey or distribute the assets having regard only to the claims of which she has notice.

JAMES KELLEHER, legal practitioner, 75 Main Street, Romsey 3434.

---

Creditors, next-of-kin and others having claims in respect of the Will of ROSE EVELYN KEARNEY, late of 13 Madura Street, Travancore, Victoria, widow, deceased, who died on 5 May 1998 are required to send particulars of their claims to the executor, Peter Julian Kearney, care of the undermentioned legal practitioner by 3 September 1998 after which date he will distribute the assets having regard only as to the claims of which he then has notice.

JOHN STEWART, legal practitioner, 290 Racecourse Road, Newmarket.

---

Creditors, next-of-kin and others having claims in respect of the Will of EDITH ISOBEL WILLIAMSON, late of 2 Lower Plenty Road, Heidelberg, Victoria, widow, deceased, who died on 13 February 1997 are requested to send particulars of their claims to the executor, Ernest James Doolan, care of the undermentioned legal practitioner by 3 September 1998 after which date he will distribute the assets having regard only as to the claims of which he then has notice.

JOHN STEWART, legal practitioner, 290 Racecourse Road, Newmarket.

---

Creditors, next-of-kin and others having claims in respect of the estate of MARY COLDRICK, late of Brookfield Nursing Home, Liddiard Road, Traralgon, Victoria, widow, deceased, who died on 25 April 1998 are to send their claims to the Executor, William Russell Hemphill of 12 Oak Court, Morwell, Victoria, care of the below mentioned solicitors by 31

August 1998 after which date he will distribute the assets of the deceased having regard only to the claims of which he then has notice.

LITTLETON HACKFORD, solicitors, Law Chambers, 115 Hotham Street, Traralgon, Vic. 3844.

---

ELLEN PATRICIA KENNEDY, late of 866 Centre Road, Bentleigh East, Victoria, widow, deceased. Creditors, next-of-kin and others having claims in respect of the estate of the abovenamed deceased, who died on 23 April 1998 are required by the executors, Alfred Anthony Neilly and John David White to send particulars of their claim to the executors care of the undermentioned solicitors by 4 September 1998 after which date the executors intend to convey or distribute the assets of the estate having regard only to the claims of which the executors may have notice.

McCLUSKYS, solicitors, 254 Bay Street, Port Melbourne, Vic. 3207.

---

Creditors, next-of-kin and others having claims in respect of the estate of JUDITH LOUISE BRUNS late of 7 Westbourne Street, East Prahran, Victoria, retired teacher deceased who died on 18 June 1998 are to send particulars of their claims to the executors Russell William Wade and Geoffrey Arthur Park care of the undermentioned solicitors by 10 September 1998 after which date the executors will distribute the assets having regard only to the claims of which the executors then have notice.

McKEAN & PARK, solicitors  
405 Little Bourke Street, Melbourne.

---

Creditors, next-of-kin and all other persons having claims against the estate of MONIKA RUTH BAKKER late of 29 Quinn Street, Heidelberg in the state of Victoria, army officer, deceased, who died 4 April, 1998, are to send particulars of their claims to the executor of the estate, Raymond Firinauskas care of the undermentioned solicitors by 8 September, 1998, after which date the executor will convey and distribute the assets having regard only to the claims of which the executor then has notice.

MAHONYS solicitors  
400 Collins Street, Melbourne, Victoria 3000.

---

ALBERT HEALY late of 33 Curia Street, Mansfield, Victoria retired. Creditors, next-of-kin and others having claims in respect of the deceased who died on 22 January 1998 are required by his trustee Eileen May Healy of 33 Curia Street, Mansfield, Victoria, widow, to send particulars to her care of the undermentioned firm of legal practitioners by 9 September 1998 after which date the trustee may convey and distribute the assets having regard only to the claims of which she then has notice.

MAL. RYAN & GLEN  
9 High Street, Mansfield 3722,  
legal practitioners for the trustee.

---

Creditors, next-of-kin and others having claims in respect of the estate of MARJORIE IDA CONOLLY, late of 6 Avon Street, Box Hill, Victoria, clerk/bookkeeper, deceased, who died on 8 July 1997 are required to send particulars of their claims to the executor, Colin Clive Springall, care of Middletons, Moore & Bevins, solicitors, 200 Queen Street, Melbourne by 3 September 1998 after which date the executor will distribute the assets having regard only to the claims of which he then has notice.

MIDDLETONS MOORE & BEVINS,  
solicitors, Level 29, 200 Queen Street,  
Melbourne.

---

Creditors, next-of-kin and others having claims in respect of the estate of BRUCE MELVILLE HARDY, late of 77 Walara Drive, Mount Martha, Victoria, retired, deceased, who died on 22 April 1998 are required by the executor, ANZ EXECUTORS & TRUSTEE COMPANY LIMITED, of 530 Collins Street, Melbourne, Victoria to send particulars to it by 2 September 1998 after which date it may convey or distribute the estate having regard only to the claims of which it then has notice.

MILLS OAKLEY, lawyers, 131 Queen Street,  
Melbourne.

---

Creditors, next-of-kin and others having claims in respect of the estate of LILY MARGARET PHILLIPS, late of "Dhuringa", 59 Peel Street, Berwick, Victoria, gentlewoman, deceased, who died on 19 February 1998 are required by the executor, ANZ EXECUTORS & TRUSTEE COMPANY

LIMITED, of 530 Collins Street, Melbourne, Victoria to send particulars to it by 2 September 1998 after which date it may convey or distribute the estate having regard only to the claims of which it then has notice.

MILLS OAKLEY, lawyers, 131 Queen Street,  
Melbourne.

---

Creditors, next-of-kin and others having claims in respect of the estate of HAROLD SMEETH, late of Room 29, Mayflower Retirement Community, 7 Centre Road, Brighton East, Victoria, retired, deceased, who died on 20 March 1998 are required by the executor, ANZ Executors and Trustee Company Limited of 530 Collins Street, Melbourne, Victoria, to send particulars to it by 2 September 1998 after which date it may convey or distribute the estate having regard only to the claims of which it then has notice.

MILLS OAKLEY, lawyers, 131 Queen Street,  
Melbourne.

---

HAROLD WILLIAM BOULTON late of 21 Bradley Avenue, Thornbury, Victoria deceased. Creditors, next-of-kin and others having claims in respect of the estate of the deceased who died on 10 March 1998 are required by National Mutual Trustees Limited of 65 Southbank Boulevard, Southbank, Victoria, the substituted executor to send particulars to it by 4 September 1998 after which date National Mutual Trustees Limited may convey or distribute the assets having regard only to the claims of which it then has notice.

---

Creditors, next-of-kin and others having claims in respect of the estate of BERYL MAVIS GILL, late of 138 Holdsworth Road, Bendigo, Victoria, married woman, deceased, who died on 24 January 1998 are required to send particulars of their claims to the executors, National Mutual Trustees Limited of 46 Queen Street, Bendigo, by 28 August 1998 after which date they will distribute the assets having regard only to the claims of which they have notice.

NATIONAL MUTUAL TRUSTEES LIMITED,  
46 Queen Street, Bendigo.

---

Creditors, next-of-kin and others having claims in respect of the estate of GRACE ELLEN HARRISON, late of 99 Holmes Road,



Bendigo, Victoria, married woman, deceased, who died on 26 February 1998 are required to send particulars of their claims to the executors, National Mutual Trustees Limited of 46 Queen Street, Bendigo, by 27 August 1998 after which date they will distribute the assets having regard only to the claims of which they have notice.

NATIONAL MUTUAL TRUSTEES LIMITED,  
46 Queen Street, Bendigo.

---

Creditors, next-of-kin or others having claims in respect of the estate of JOHN JOSEPH GORDON, late of Rymers Road, Gladysdale, deceased, who died on 19 January 1989 are to send particulars of their claims to the executor care of the undermentioned solicitors by 31 August 1998 after which date the executor will distribute the assets having regard only to the claims of which the executor then has notice.

OAKLEY THOMPSON & CO., solicitors,  
Level 17, 500 Collins Street, Melbourne.

---

Creditors, next-of-kin and others having claims in respect of the estate of CONSTANCE ENID DAY, late of 16 Boandyne Court, Toorak, in the State of Victoria, home duties, deceased, who died on 26 February 1998 are required by the executors and trustees, Graham Leslie Candy of 34 Lansdown Street, Balwyn North, Victoria, solicitor and Neville Charles Day of 20 Canberra Road, Toorak, Victoria, investor, to send particulars to them by 27 August 1998 after which date the executors and trustees may convey or distribute the assets having regard only to the claims of which they have notice.

RIGBY COOKE, solicitors, Level 36, 101  
Collins Street, Melbourne 3000.

---

Creditors, next-of-kin and others having claims in respect of the estate of MARIANA NAIMO, late of Unit 15, 246 Albert Street, East Melbourne, in the State of Victoria, solicitor, deceased, who died on 30 April 1998 are required by the executors and trustees, Teresa Naimo of 17/101 Gipps Street, East Melbourne, Victoria, Accountant, to send particulars to them by 28 August 1998 after which date the executors and trustees may convey or distribute the assets having regard only to the claims of which they have notice.

RIGBY COOKE, solicitors, Level 36, 101  
Collins Street, Melbourne 3000.

---

Creditors, next-of-kin and other persons having claims in respect of the estate of FREDERICK STOREY APPLETON, late of 23 Clarence Street, Nhill 3418, who died on 31 May 1998 are required to send particulars of their claims to the executors of his estate care of Trumble & Palmer, solicitors, 45 Victoria Street, Nhill 3418 on or before 7 September 1998 after which date the executors will distribute the assets having regard only to the claims of which notice has been received.

TRUMBLE & PALMER, solicitors, 45 Victoria  
Street, Nhill, Vic. 3418.

---

Creditors, next-of-kin and other persons having claims in respect of the estate of OTTILIE LOUISE CLARA RETHUS, late of 49 Nelson Street, Nhill 3418, who died on 16 June 1998 are required to send particulars of their claims to the executors of her estate care of Trumble & Palmer, solicitors, 45 Victoria Street, Nhill 3418 on or before 7 September 1998 after which date the executors will distribute the assets having regard only to the claims of which notice has been received.

TRUMBLE & PALMER, solicitors, 45 Victoria  
Street, Nhill, Vic. 3418.

---

Creditors, next-of-kin and others having claims in respect of the estate of KENNETH EDWARD DOIG, late of 5 Cheviot Road, Mount Waverley, Victoria, insurance officer, who died on 4 March 1997 are to send particulars of their claims to the executor, Geoffrey Rowland Stone, care of the undermentioned solicitors by 25 August 1998 after which date he will distribute the assets having regard only to the claims of which he then has notice.

YOUNG HUBBARD & CO., solicitors, 825  
Burke Road, Camberwell 3124.

---

Creditors, next-of-kin or others having claims in respect of the estate of BETH MILNE CANNON, late of 11 Irwin Street, Yarralumla, Australian Capital Territory, but formerly of 19 Kooyongkoot Road, Hawthorn, Victoria, widow, deceased, who died on 23 February 1998 are to send particulars of their claims to the executors care of the undermentioned solicitors by 3 September 1998 after which date the

executors will distribute the assets having regard only to the claims of which the executors then have notice.

YUNCKEN & YUNCKEN, solicitors, Level 5, 395 Collins Street, Melbourne.

In the Supreme Court of the State of Victoria  
SALE BY THE SHERIFF

On 6 August 1998 at 11.00 a.m. at the Sheriff's Office, 107 Baxter Street, Bendigo (unless process be stayed or satisfied).

All the estate and interest (if any) of Anton Zajc of Lot 3 Liberty Flat Road, Taradale joint proprietor with Ana Zajc of an estate in fee simple in all that piece of land in the Parish of Drummond being Lot 3 on Plan of Subdivision No. 133739 containing approx 5.617 hectares or thereabouts and being the whole of the land more particularly described on Certificate of Title Volume 9859 Folio 410 upon which is erected a dwelling.

The property can be located by travelling from Melbourne along the Calder Highway to Malmsbury, approx 6 km past Malmsbury turn west into Conlans Road and turn south into Tyquins Road. Then turn west into Liberty Flat Road. The property is on the northern side of the road approx 280 metres from Tyquins Road and is known as Lot 3 Liberty Flat Road, Taradale.

Registered Mortgage No. P720328Q affects the said estate and interest.

Terms - Cash only.

SW-98-000458-1.

Dated 2 July, 1998.

S. BLOXIDGE  
Sheriff's Office

In the Supreme Court of the State of Victoria  
SALE BY THE SHERIFF

On 6 August 1998 at 2.30 p.m. at the Sheriff's Office, 8-20 King Street, Oakleigh 3166 (unless process be stayed or satisfied).

All the estate and interest (if any) of Denis McGrory of 2 Lisa Court, Glen Waverley as shown on Certificate of Title as Denis Roderick McGrory tenant in common in equal shares with Robyn Maree McGrory of an estate in fee simple in the land described on Certificate of Title Volume 8855 Folio 645 upon which is erected a house known as 2 Lisa Court, Glen Waverley.

Registered Mortgage No. T271542A and the covenant contained in Transfer E338275 affect the said estate and interest.

Terms - Cash only.

SW-98-003501-0.

Dated 2 July, 1998.

S. BLOXIDGE  
Sheriff's Office

In the Supreme Court of the State of Victoria  
SALE BY THE SHERIFF

On 6 August 1998 at 2.30 p.m. at the Sheriff's Office, 8-20 King Street, Oakleigh 3166 (unless process be stayed or satisfied).

All the estate and interest (if any) of Woodland Property Group Pty Ltd of 9 Portobello Place, Wheelers Hill proprietor of an estate in fee simple in the land described on Certificate of Title Volume 10179 Folio 004 upon which is erected a partially completed home known as Lot 306 Carroll Court, Narre Warren North.

Registered Mortgage No. U327512T and covenant U327511W and the planning and environment agreement No. S568263A affect the said estate and interest.

Terms - Cash only.

SW-97-013330-3.

Dated 2 July, 1998.

S. BLOXIDGE  
Sheriff's Office

In the Supreme Court of the State of Victoria  
SALE BY THE SHERIFF

On 6 August 1998 at 2.30 p.m. at the Sheriff's Office, 8-20 King Street, Oakleigh 3166 (unless process be stayed or satisfied).

All the estate and interest (if any) of Gary Douglas Cooke and Lynda Joy Cooke of 63 Wallace Road, Cranbourne joint proprietors of an estate in fee simple in the land described on Certificate of Title Volume 9222 Folio 344 upon which is erected a house known as 63 Wallace Road, Cranbourne.

Registered Mortgage Nos. U504075C, U614451L and caveat Nos. T645606L and U888677A affect the said estate and interest.

Terms - Cash only.

SW-97-015534-4.

Dated 2 July, 1998.

S. BLOXIDGE  
Sheriff's Office

## Unclaimed Moneys Act 1962

Register of Unclaimed Moneys held by the —

<i>Name of Owner on Books and Last Known Address</i>	<i>Total Amount Due to Owner</i>	<i>Description Of Unclaimed Money</i>	<i>Date when Amount first became Payable</i>
CITY OF MELBOURNE			
	\$		
Geoff Ryan	2,009.45	Payroll	12/12/96
V. Jones	707.88	"	27/11/96
J. Spiteri	535.07	"	20/11/96
R. Maarof	514.99	"	23/10/96
Michael Ramaz	303.01	"	27/11/96
B. S. Wong	260.32	"	09/06/96
A. Maarof	197.86	"	26/11/96
R. S. Smits	179.46	"	20/06/96
Baldonia Pty Ltd, 1/627 Chapel Street, South Yarra	8,400.00	Cheque	29/08/96
H.I.H. Winterthur Workers Compensation P.O. Box 2090s, Melbourne	4,091.00	"	23/01/97
I. G. Cornish, 2 McInnes Close, Sunbury	911.00	"	28/03/97
Owen Dixon Chambers West Room 916, 525 Lonsdale Street, Melbourne	900.00	"	20/06/96
Graden Engineering Pty Ltd, P.O. Box 29 Somerton	780.00	"	16/01/97
Melba Fresh, Fresh Centre Store 96-99, 542 Footscray Rd Owen Dixon Chambers West Room 916, 525 Lonsdale Street, Melbourne	674.20	"	12/09/96
Video Graffiti, 2 Valentino Drive, Croydon	600.00	"	23/05/96
Committee for Melbourne, 1 Collins Street, Melbourne	600.00	"	11/07/96
Yarra City Council, P.O. Box 168, Richmond	500.00	"	23/05/96
Protect Security Industries Pty Ltd P.O. Box 256, Carlton North	442.00	"	30.01.97
Jenny Lowe, 5 Bird Court, Hoppers Crossing	405.50	"	14/11/96
Melbourne University Football Club C/-Bob Girdwood, 179 Abbotsford St, North Melbourne	320.00	"	20/02/97
North West Hospital, Poplar Road, Parkville	300.00	"	14/11/96
Iqtech Computer, Unit 1, 3 Latrobe St, South Caulfield	300.00	"	20/02/97
Centre for Urban Park Studies, P.O. Box 14428, Melbourne Mail Centre	240.00	"	28/11/96
Graeme Haycraft, Flag House, 150 Jolimont St, Jolimont	200.00	"	12//12/96
Victorian Association of Municipal Accountants Knox City Council, 511 Burwood Hwy, Wantirna South	180.00	"	14/03/96
David Dessauer, 718 Drummond Street, Carlton	180.00	"	31/10/96
Snap Printing, Ground Floor, 555 Collins St, Melbourne	155.00	"	09/01/97
	154.00	"	"

98091

CONTACT: PETER DIMITROULIS, PHONE: (03) 9658 9804.

## Unclaimed Moneys Act 1962

Register of Unclaimed Moneys held by the —

<i>Name of Owner on Books and Last Known Address</i>	<i>Total Amount Due to Owner</i>	<i>Description Of Unclaimed Money</i>	<i>Date when Amount first became Payable</i>
<b>TABCORP HOLDINGS LIMITED</b>			
	\$		
Ah Too Pty Ltd, 14 Market Street, St Kilda	1,760.00	Cheque	22.10.96
Ah Too Pty Ltd, 14 Market Street, St Kilda	720.00	"	16.04.96
Mr Jeremy E. Alexander, 26 Marquis Street, Ashburton	144.00	"	"
Mr Geoffrey Thomas Allsop, 33 Adamson Avenue, Thornleigh, NSW	110.00	"	22.10.96
Mr Kenneth Arber Arnold & Mrs Alicia Rose Arnold 13 Bertrand Road, Sunrise Beach, Qld	110.00	"	"
Mr Colin Barrie & Mrs Lynette Barrie, 218 Village Baxter, 8 Robinsons Road, Baxter	360.00	"	16.04.96
Mr Reino Basile, 32 Milton Street, West Melbourne	110.00	"	22.10.96
Betameat Exports Pty Ltd "Superannuation Fund A/C" 16 Mason Drive, Braeside	2,200.00	"	"
Mr I. J. Bigmore, 11 Henry Street, Horsham	220.00	"	"
Mr Matthew Brenman, P.O. Box 744, Swan Hill	110.00	"	"
Jeffrey Anthony Joseph Briffa, 10 Cooraminta Road, Rye	220.00	"	"
Mr Peter Burnley, 42 Hedgeley Road, Keysborough	220.00	"	"
Mr Willoughby Robin James Charlton, 177 Glen Iris Road, Glen Iris	220.00	"	"
Mr Win Tah Chern, 6/1 Bent Street, East Malvern	110.00	"	"
Chrisker Pty Ltd, 6/313 Flinders Lane, Melbourne	440.00	"	"
Chrisker Pty Ltd, 6/313 Flinders Lane, Melbourne	180.00	"	16.04.96
Mr Paul Anthony Cowell, 114 Summerhill Rd, Glen Iris	220.00	"	22.10.96
Dr Rosemary Prudence Cox, 141 Railway Ave, Laverton	110.00	"	"
Mrs Margaret Linda Crouch & Mr William Stanley Drummond, Tallawalla Rd, Dareton, NSW	110.00	"	"
Mr Maraken Dagagio, "11190 Traders Club A/C" 1562 Centre Road, Springvale	880.00	"	"
Mr Maraken Dagagio, "11190 Traders Club A/C" 1562 Centre Road, Springvale	360.00	"	16.04.96
Mr Paul Andrew Darroch, Unit 2, 19 Adams St, Castlemaine	110.00	"	22.10.96
David Dewar Pty Ltd, Princes Highway Hotel, Princes Highway, Pakenham	220.00	"	"
Miss Deahn Dewar, 226 Princes Highway, Pakenham	110.00	"	"
Miss Rachel Dewar, 226 Princes Highway, Pakenham	110.00	"	"
Miss Serrin Dewar, 226 Princes Highway, Pakenham	110.00	"	"
Ms Katherine Doube & Mr Charles Doube & Mr Patrick Doube, 214 Bittern-Dromana Road, RMB 6170 Merricks North	110.00	"	"
Mrs Sophie Druttman, 11 William St, Double Bay, NSW	108.00	"	16.04.96
Mr Peter Dunn, "Dunn Family A/C" P.O. Box 117, Kensington, NSW	220.00	"	22.10.96

Mr Ronald Elliott, 25 Chaucer Crescent, Bundoora	360.00	"	16.04.96
Mrs Margaret Ann Ellis & Mrs Marion Jean Joyce, P.O. Box 590, Naracoorte, SA	110.00	"	22.10.96
Mr Paul Andrew Fink, 207 Roversdale Road, Hawthorn	220.00	"	"
Mr John Fiora, 3/111 Rushall Crescent, Fitzroy North	110.00	"	"
Mr Michael Stephen Gallagher, "R. & S. Gallagher A/C" 6 Briarfield Court, Templestowe	110.00	"	"
Mr Samuel John Graham & Mr Benjamin James Graham, 209 Melaluka Road, Leopold	110.00	"	"
Ms R. R. Hammond, 7 Cumpston Place, Macgregor, ACT	220.00	"	"
Mr Michael Hartwig, Main Road, Tyers	110.00	"	"
Helen Louise Holdings Pty Ltd, "S.D.S. No. 5 Super A/C" 10 Lyon Park Road, North Ryde, NSW	440.00	"	"
Mr Grant Hickey, 8 Salisbury Grove, Hawthorn	154.00	"	"
Mr Minh Chau Ho, 9 May Street, Footscray	132.00	"	"
Jodie Lee-Anne Hoogendoorn & Mr Lance Miles, 1/25 John Street, Mordialloc	110.00	"	"
Mr Thomas Alexander Humphreys, P.O. Box 39, Galston, NSW	180.00	"	16.04.96
J. & L. P. Buckley Pty Ltd, RMB 4020 Violet Town	1,100.00	"	22.10.96
Mr Venkata Subrahmanyam Jampala, 43 Vernon Street, Spotswood	126.00	"	16.04.96
Janas Pty Ltd, 24 George Street, Heyfield	220.00	"	22.10.96
Johbil Pty Ltd, "J.F.D. A/C" 3/9 William Street, Melbourne	220.00	"	"
Mrs Ingrid Jokantas & Miss Penelope Jokantas & Miss Amanda Busk, 55 Macpherson Street, Nhill	110.00	"	"
Mr Gonzalez-Ruiz Jose C/- National Australia Bank 171 Dandenong Road, Mt Ommaney, Qld	176.00	"	"
Mr Bruce Alfred Keen, 453 Wellington Rd, Mulgrave	440.00	"	"
Mr Andrew Graham Langley, 12 Weeden Drive, Werribee	176.00	"	"
Miss Sophie Lazos, 13 Moody Place, Endeavour Hills	110.00	"	"
Mr Adam Lee & Mrs Anny Lee, 3/2477 Gold Coast Highway, Mermaid Beach, Qld	220.00	"	"
Mrs Terry Anthony Lee & Ms Margaret Mary Lee 12 Rugby Street, Belmont	110.00	"	"
Dr Paul Sek Kin Leong, 31 Marola Ave, Rostrevor, SA	330.00	"	"
Dr Paul Sek Kin Leong, 31 Marola Ave, Rostrevor, SA	135.00	"	16.04.96
Mr John R. Lombard, 20/K11 Raleigh Street, Prahran	110.00	"	22.10.96
Mr Jianming Lu, P.O. Box 84, Campsie, NSW	180.00	"	16.04.96
Dr Dennis J. Maddern & Ms Jan L. Maddern, "Maddern Cons Grp S/F A/C", 806 Riversdale Rd, Camberwell	110.00	"	22.10.96
Mr Wendy Joy Manison & Mr Troy Kristian Manison, 4 Linden Street, Box Hill	110.00	"	22.10.96
Mr Robert McFarlane, 6/252 Station Street, Edithvale	176.00	"	"
Mr Keith McNeill, 1 Dunrobin Street, Shepparton	110.00	"	"
Mr Peter John Millhahn, 39 Grand Central Avenue, Hallett Cove, SA	132.00	"	"
Mrs Dawn Claire O'Toole, 23 Heidelberg Drive, Wodonga	135.00	"	16.04.96
Ms Anne Pattison "Kiara Tate A/C" 6 Shady Creek Road, Yarragon	110.00	"	22.10.96
Mr Michael John Pepyat, 8 Brazeel Street, Blackburn South	135.00	"	16.04.96
Mr Michael John Pepyat, 8 Brazeel Street, Blackburn South	330.00	"	22.10.96
Mrs Pauline Petschel, RMB 1420 Rainbow	440.00	"	"

Ms Renato Prospero-Porta, 1 Franklin Terrace, Mt Gambier, SA	220.00	"	"
Mr Alfred Reitano, 11 Copeland Street, Alexandria, NSW	180.00	"	16.04.96
Selhurst Corporation Pty Ltd C/-Reads Trust Company Ltd P.O. Box 641, Wellington House, Union Street, Jersey JE4 8YJ Channel Islands	2,700.00	"	"
Senatu Nolente Pty Ltd, 40 Grattan Place, Carlton	220.00	"	22.10.96
Shaycor Pty Ltd, Brooklyn, 2 Eames Avenue, Brooklyn	220.00	"	"
Mr Daniel Francis Sim, P.O. Box 380, Moura Qld	176.00	"	"
Mr Daniel Francis Sim, P.O. Box 380, Moura Qld	176.00	"	"
Mr John Graeme Sloman & Mrs Isabel Mary Sloman 309 Gore Street, Fitzroy	1,100.00	"	"
Mr Colin Jeffrey Swan, 520 Barkers Road, Hawthorn	110.00	"	"
Mr Ronald Keith Tape, 750 High Street, Thornbury	110.00	"	"
Estate John Edward Tierney, 146 Glenlyon Road, Brunswick	660.00	"	"
Ms Jacqueline Tracy & Mr Andrew Bruce Kelleher, 24 Chatham Road, Keswick, SA	110.00	"	"
Mr Anthony Gelindo Turvey & Mrs Janet Elizabeth Turvey 21 Sheffields Road, Neerim South	110.00	"	"
Mr Giovanni Villani, 908 Drummond Street, Carlton North	220.00	"	"
Mr Roland Miles Walker, 34 York Street, Caulfield	220.00	"	"
Mr Peter Walter, 2/19 Wourn Park Court, Belmont	110.00	"	"
Mr Bo Wang & Mrs Xiadmin Ye 28/146 Power St, Hawthorn	132.00	"	"
Mrs Gail Eugene Ware, 5 Carrick Place, Ferny Grove, Qld Waurm Ponds Pty Ltd "Staff Super Fund A/C"	176.00	"	"
Waterford, 92 Hensley Park Road, Hamilton	220.00	"	"
Mr Barry Whelan, 24 Manning Boulevard, Bacchus Marsh	220.00	"	"
Mr Anthony Eric Wood, 27 Park Road, Mt Waverley	220.00	"	"
Mr Stanely Yantses, P.O. Box 2346 Mildura	110.00	"	"

98051

CONTACT: DIONE BUGGY, PHONE: (03) 9633 3214.

**Unclaimed Moneys Act 1962**

Register of Unclaimed Moneys held by the —

<i>Name of Owner on Books and Last Known Address</i>	<i>Total Amount Due to Owner</i>	<i>Description Of Unclaimed Money</i>	<i>Date</i>
			<i>when Amount first became Payable</i>

## CENTRO PROPERTIES GROUP

\$

Helen Newton Bremner, 21 Longmuir Street, Ilam, Christchurch, NZ	170.71	Cheque	26.02.96
Peter Phillip Brennan, 33 Georgina St, Newtown, NSW	100.84	"	30.09.96
Graham John Hawthorne, 1 Burgess Street, Beaumaris	106.57	"	"
James Brendan Hogan, P.O. Box 81, Crafters, SA	282.75	"	01.04.96
Susanne Lee Keane, 19 The Avenue, Montrose	217.14	"	26.02.96
Lloyds Bank (Jersey) Nominees Limited (219 Account)			

P.O. Box 770, 35 Don Street, St Helier, Jersey JE4 822 Channel Islands	773.42	"	01.04.96
Jodie Maree Milburn, 135 Menzies Street, Rockhampton, North Qld	397.40	"	26.02.96
Ian Leslie Steele, C/-Kitchens Ink Pty Ltd P.O. Box 4210, Kingston, ACT	341.41	"	"
Ian David Telford, C/-91 Bank Street, South Melbourne Edna Caroline Curwen-Walker, C/-Coopers & Lybrand Srd, G.P.O. Box 2785Y, Melbourne	125.64	"	"
	106.34	"	30.09.96

98048

CONTACT: DIONE BUGGY, PHONE: (03) 9633 3214.

**Unclaimed Moneys Act 1962**

Register of Unclaimed Moneys held by the —

<i>Name of Owner on Books and Last Known Address</i>	<i>Total Amount Due to Owner</i>	<i>Description Of Unclaimed Money</i>	<i>Date when Amount first became Payable</i>
<b>OVER 50'S INVESTMENT GROUP</b>			
	\$		
Andrews, Ethel, 14 Queen Street, Moruya, NSW	32,206.15	Bond	25.06.96
Bannam, D.S., 2 Baynes Street, Terang	154.25	"	19.01.97
Buckley Dorothy, C/- David Justice 14B Balaclava Road, Eastwood, NSW	4,684.68	"	02.05.96
Buckley Dorothy, C/- David Justice 14B Balaclava Road, Eastwood, NSW	2,096.96	"	16.05.96
Burnett, Geoffrey, Other Side Pty Ltd P.O. Box 728, North Melbourne	5,730.41	"	20.09.96
Byrnes, Kevin Henry, P.O. Box 45, Belmont, NSW	3,626.94	"	"
Byrnes, Kevin Henry, P.O. Box 45, Belmont, NSW	8,264.83	"	26.10.96
Campbell, Julie Lorraine, C/- Darby Associates 1-3 Thornhill Drive, Forest Hill	5,358.46	"	28.07.96
Cooney, Helen Anne, 7 Palace Street, Ashfield, NSW	21,895.10	"	19.09.96
Davis, Geoffrey Andrew, 31 Alison Avenue, Bulleen	112.40	"	29.08.96
Dixon, Gwenneth Marie, 1/291 Waverley Rd, Mt Waverley	1,831.98	"	03.11.96
Eden, Reginald Bertram, 44 Pappinbarra Parade, Port Macquarie, NSW	23,654.78	"	10.02.97
Florence, Marjorie Oliver, 64 Arinya St, Tamworth, NSW	10,466.37	"	12.12.96
Gipton, Sara Marie, 9 Highton Grove, North Balwyn	10,794.02	"	03.07.96
Glover, Keith Norman, P.O. Box 198, East Kew	22,822.34	"	07.05.96
Guth, Harry, P.O. Box 248, Alexandria, NSW	13,892.96	"	05.03.96
Halliday-Brown, J. L., 4 Valencia Court, St Albans	3,229.96	"	15.04.96
James, Kathleen, P.O. Box 60, Blackburn	2,185.06	"	26.09.96
Johnstone, David Paul, 15 Panorama St, Ashgrove, Qld	16,697.30	"	22.09.96

Kane, Roger Michael, 3 Poets Lane, Sherbrooke	22,047.15	"	27.08.96
Lauder, Geoffrey, P.O. Box 266 Pacific Hwy, Hornsby, NSW	41,359.62	"	15.10.96
Lodge, Edward George, 7/23 Union Street, Melbourne	10,662.63	"	17.10.96
Novelton, Marcel, 23/306 Pymont Bridge, Camperdown, NSW	11,963.58	"	27.03.96
O'Kelly, Michael Rodger, Suite 29, 20 Commercial Road, Melbourne	11,536.87	"	27.05.96
Panayi, Mary, 8 Worland Grove, Warrnambool	20,666.34	"	19.01.97
Paul, John Norman, C/- Independent Tax & Audit Service P.O. Box 92, Moorabbin	20,087.46	"	24.02.97
Pender, Alysian, Alderslea School Lane, Southgate, NSW	14,297.33	"	27.11.96
Robertson, Joyce Mary, 12 Caesar Street, Mulgrave	958.85	"	08.09.96
Smith Gordon, 8 Gumnut Lane, Earle Haven, Nerang, Qld	12,631.14	"	25.11.96
Tattam, Barbara Judith Ann, 33 Lewisham Rd, Windsor	10,845.08	"	22.12.96
Tobin, Beryl Bryant, 16 Beverley Street, New Lambton Heights, NSW	1,094.26	"	04.11.96
Austin, Thomas William (estate of) (i), (ii), (iii) Mr John G. McArthur, Barrister & Solicitor 23 Cunningham Street, South Yarra	30,843.53	"	05.09.95
Huntress, David Eugene, (estate of) (i), (ii), (iii) Apartment 2, Block 1, 506 Illawara Rd, Marrickville, NSW	28,756.21	"	1992
Kennedy, Carly, (iv), (v), Estate of Colleen Elizabeth Kennedy, Mr S. W. Kennedy, 42 Forest Drive, Timberlane Estate, Thornton, NSW	2,791.93	"	25.07.94
Leggett, Blair F., (i) (iv), Estate of George Robert Leggett 12 Avoca Street, Heidelberg	55,315.81	"	1989
Lucas, Phyllis Irene, (i), (iv), Estate of Edward Ralph Lucas, Mr S. B. Powell, S. B. Powell & Co, 16 Turnstall Square, East Doncaster	64,428.93	"	10.05.96
Mitchell, Edward Howard (estate of) (i), (ii), (iii) 2/441 Riversdale Road, East Hawthorn	13,857.60	"	1992
Gust, Aaron Sydney Palmer, Hayden Lewis (i), (iv), (v) Estate of Joseph Thomas Palmer, C/- 11 Victory Parade, Ascot Vale	2,318.43	"	00.09.94
Sklovsky, Celia (i), (iv) estate of Grigorij A. Sklovsky 69 Prospect Hill Road, Camberwell	96,372.57	"	09.01.95

- (i) Require Certified Copy of Death Certificate before payment can be made;
- (ii) Require Certified Copy Will or Probate before payment can be made;
- (iii) Executor/s to sign any request for payment;
- (iv) Owner/Beneficiary to sign any request for payment;
- (v) If the Owner/Beneficie is under 16 years of age, a parent/guardian must sign any request for payment.



**Unclaimed Moneys Act 1962**

Register of Unclaimed Moneys held by the —

<i>Name of Owner on Books and Last Known Address</i>	<i>Total Amount Due to Owner</i>	<i>Description Of Unclaimed Money</i>	<i>Date when Amount first became Payable</i>
<b>AUSTRALIAN BARLEY BOARD</b>			
	\$		
Charlick, P. M. & S. L., 2/33 Tingira Close, Rainbow Beach, Qld	163.08	Additional Payment	24/02/97
Degenhardt, L. G., 18 Comyn Street, Murtoa	104.45	"	"
Hallam, M. J. & M. V., 7 Florence Street, Horsham	175.75	"	"
Keech & Son, S.C., R.M.B. 4440 Horsham	148.75	"	"
McLennan, R. J. & S. M., P.O. Box 9, Nullawil	134.74	"	"

98153

CONTACT: RICHARD L. EVANS PHONE: (03) 9602 3377.

**Unclaimed Moneys Act 1962**

Register of Unclaimed Moneys held by the —

<i>Name of Owner on Books and Last Known Address</i>	<i>Total Amount Due to Owner</i>	<i>Description Of Unclaimed Money</i>	<i>Date when Amount first became Payable</i>
<b>RAY WHITE (CLAYTON) PTY LTD</b>			
	\$		
Messrs Yap & Hei	297.00	Balance of Bond	15/01/91
Mr Miyazaki, 2/243 Clayton Road, Clayton	545.00	"	29/03/96
Mr Wun, 2/62 Browns Road, Clayton	387.00	"	16/09/96
Mr Taazon, 5/8 Lillian Street, Clayton	520.00	Refund of Bond	23/10/96
Ms L. Kurnadjaja, 8 Fortuna Street, Clayton	284.97	Rent Adjustment	16/12/96
Mr Cheung, 3 Dunstan Street, Clayton	439.58	Rent to Landlord	28/11/90
Mr King	622.61	"	20/09/93

98147

CONTACT: JOHN GALACOULAS, PHONE: (03) 9543 7088.

**PROCLAMATIONS**

**Parks Victoria Act 1998**

**PROCLAMATION OF COMMENCEMENT**

I, James Gobbo, Governor of Victoria, acting with the advice of the Executive Council and under section 2(2) of the **Parks Victoria Act 1998**, fix 3 July 1998 as the day on which the remaining provisions of that Act comes into operation.

Given under my hand and the seal of  
Victoria on 30 June 1998.

(L.S.)                      JAMES GOBBO  
                                         Governor

By His Excellency's Command

MARIE TEHAN  
Minister for Conservation and  
Land Management

---

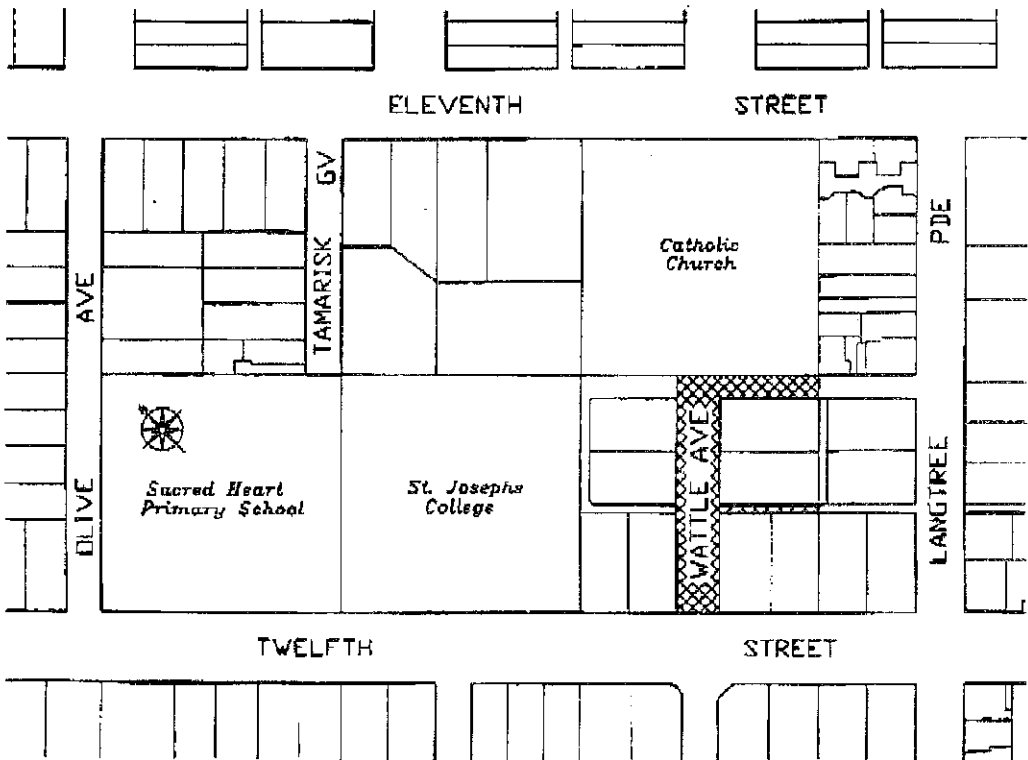
**GOVERNMENT AND OUTER BUDGET SECTOR AGENCIES  
NOTICES**



**MILDURA RURAL CITY COUNCIL**

**Road Discontinuance**

That the Mildura Rural City Council formed the opinion that the road shown cross-hatched on the plan below is not reasonably required as a road for public use and resolved to discontinue the road and having advertised and served notices regarding the proposed discontinuance and there being no submissions made under section 223 of the **Local Government Act 1989**, ordered that the said part of the road be discontinued pursuant to Schedule 10, Clause 3(a), of Section 206 of the said Act and the land of the discontinued road vest in the Council pursuant to Section 207B of the said Act and be sold by Private Treaty to the owners of the land abutting the road subject to the right, power or interest held by the Mildura Rural City Council in the land in connection with any sewers, drains and pipes under its control in or near the road.



**LEONIE BURROWS**  
Chief Executive Officer



WELLINGTON SHIRE COUNCIL  
Proposed Road Discontinuance

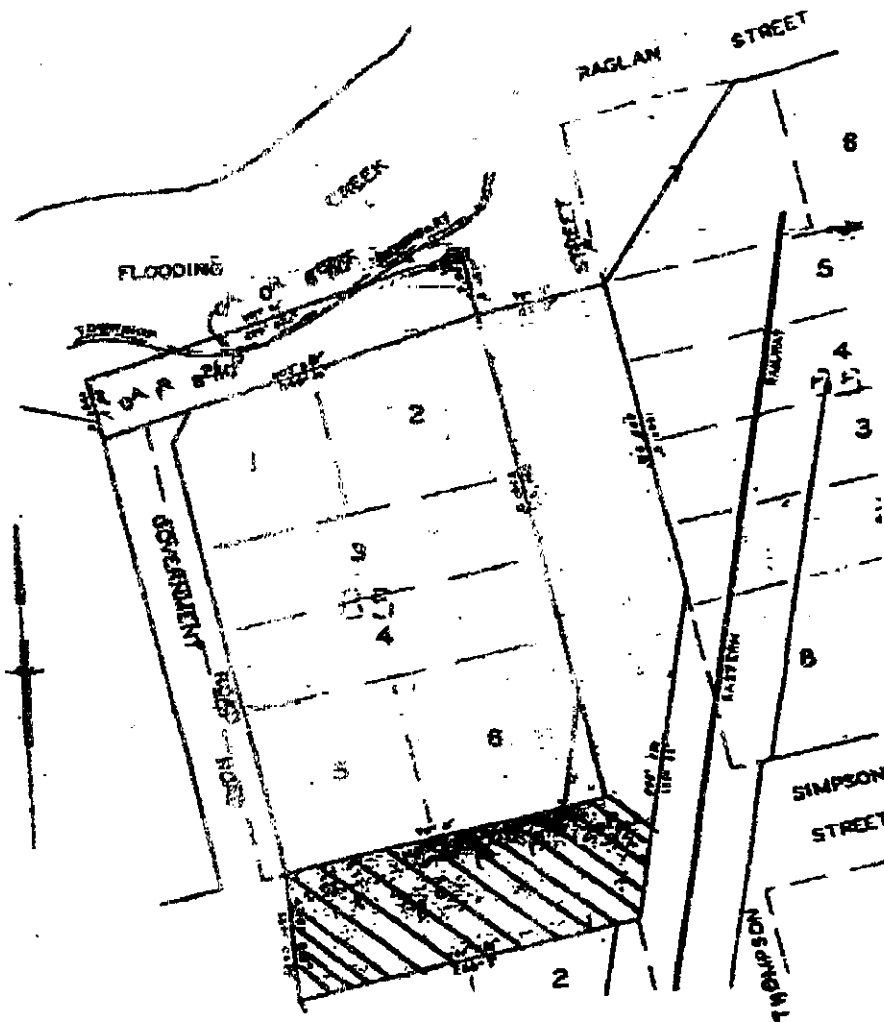
The Wellington Shire Council intends to discontinue (close) a section of public road shown on the plan below.

The section of road in question is South of the former City of Sale Works Depot in the Township of Sale, also known as Simpson Street, Sale shown hatched in the plan below.

If discontinued, Council will sell the land from the road to abutting owners.

After receiving any written submissions within 14 days, which will be considered under Section 223 of the **Local Government Act 1989**, Council may decide to discontinue the road, or part of the road, or not to discontinue the road.

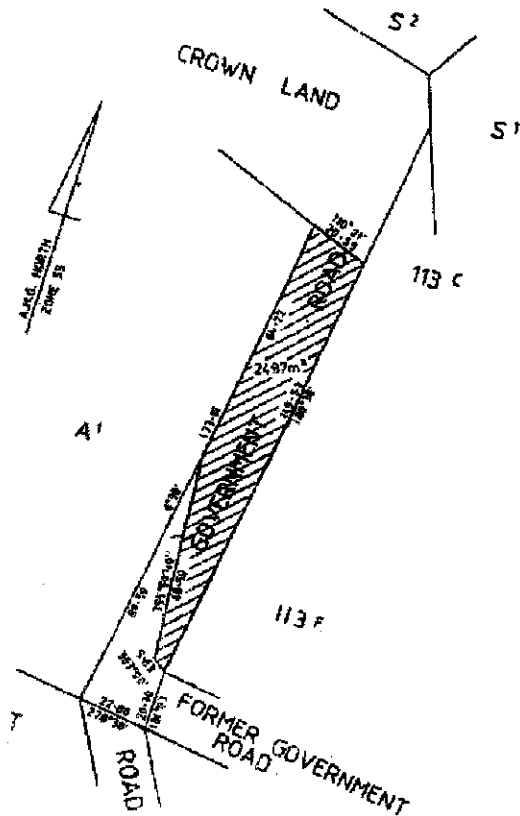
Submissions regarding this proposal should be addressed to the Chief Executive Officer, Wellington Shire Council, P.O. Box 506, Sale by Friday 10 July 1998.



ALAN HUMPHREYS  
Chief Executive Officer

**WELLINGTON SHIRE COUNCIL**  
Road Discontinuance

Pursuant to Section 206 and Schedule 10 Clause 3 of the **Local Government Act 1989** the Wellington Shire Council at its ordinary meeting held on 16 June 1998, formed the opinion that the road shown on the plan below is not reasonably required as a road for public use and resolved to discontinue the road and sell the land from the road by private treaty to the abutting owner.



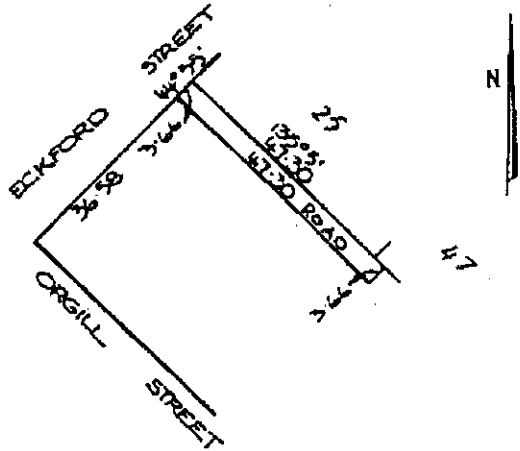
ALAN HUMPHREYS  
Chief Executive Officer

**GREATER DANDENONG CITY COUNCIL**  
Road Discontinuance

Pursuant to Section 206 and schedule 10, clause 3 of the **Local Government Act 1989**, the Greater Dandenong City Council at its meeting held on 11 May, 1998 resolved to discontinue the road shown on the plan below and being the land described in Certificate of Title Volume 9105 Folio 472, adjacent to No. 1

Eckford Street, Dandenong.

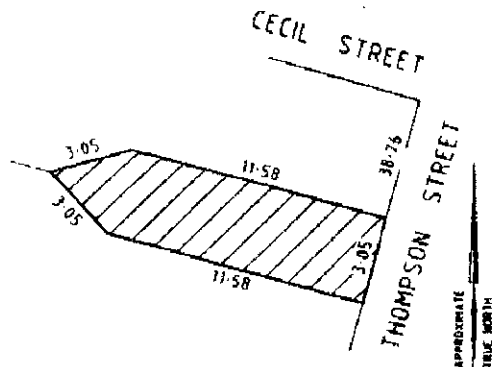
The road is to be sold subject to any right, power or interest held by Council and South East Water Limited in the road in connection with any wires, cables, sewers, drains or pipes under the control of these authorities in or near the road.



WARWICK HEINE  
Chief Executive Officer

**HOBSONS BAY CITY COUNCIL**  
Road Discontinuance

Under Section 206 and Schedule 10 clause 3 of the **Local Government Act 1989** the Hobsons Bay City Council at its Ordinary meeting held on 12 August, 1997, formed the opinion that the road shown on the plan below is not reasonably required as a road for public use and resolved to discontinue the road and to sell the land from the road to abutting owners.



KEN McNAMARA  
Chief Executive



- limiting the power to prescribe any matter under the General Local Law (No. 1 of 1996);
- providing procedures to be followed by Council where a matter is to be prescribed under the General Local Law;
- ensuring the moving or droving of livestock within the municipal district takes place over the shortest distance between two pieces of land forming part of the same farming enterprise;
- ensuring the movement of livestock on roads within the municipal district takes place in only where signs have been erected in accordance with the power to erect signs under the Road Safety (Road Rules - Give Way to Stock) Regulations 1997.

The general purport of the Local Law is that it:

- amends General Local Law;
- limits the Council's power to prescribe a matter under the General Local Law to the Council and by a resolution;
- provides for public notification where a matter is to be prescribed under General Local Law for comments to be considered, a prescription to be the subject of public notice and a register of prescriptions to be kept;
- provides that when livestock are moved or driven between two pieces of land which form part of the same farming enterprise, the livestock leaves one piece of land at the point closest to the piece of land to which the livestock is being moved and enters the other land at a point closest to where the livestock exited the piece of land from which the livestock has been moved;
- provides then when livestock is moved or driven in the municipal district, a sign must be erected in accordance with the power to erect signs under the Road Safety (Road Rules - Give Way to Stock) Regulations 1997.

A copy of the Local Law may be inspected at the Council's Port Fairy Office, Princes Street, Port Fairy 3284, between 8.45 a.m. and 4.45 p.m. Monday to Friday.

### **Planning and Environment Act 1987**

#### **BERWICK PLANNING SCHEME**

##### Notice of Amendment

##### Amendment L138

Casey City Council has prepared Amendment L138 to the Local Section of the Berwick Planning Scheme.

The Amendment applies to 97 hectares of land on the south west corner of Clyde and Greaves Roads in Berwick. The land is currently comprised of 3 land parcels in separate ownership. The land is within the Ti-Tree Creek Local Structure Plan area.

The Amendment proposes to rezone the land to a residential zone to allow normal density subdivision and housing development to proceed. To facilitate the rezoning, the Ti-Tree Creek Local Structure Plan (LSP) and the Ti-Tree Creek Development Contributions Plan (DCP) has been prepared to guide development and ensure that an appropriate contribution is made towards local infrastructure.

The Amendment and associated documentation can be inspected free of charge during office hours at: Casey City Council, Municipal Offices, Princes Highway, Narre Warren; Casey City Council, Customer Service Centre, Sladen Street, Cranbourne; Department of Infrastructure, Nauru House, 80 Collins Street, Melbourne.

Submissions about the Amendment should be sent to: Halvard Dalheim, Manager Strategic Development, City of Casey, P.O. Box 1000, Narre Warren 3805 by Monday 3 August 1998.

JACQUI HOUQUET  
Manager Planning

### **Planning and Environment Act 1987**

#### **GREATER GEELONG PLANNING SCHEME**

##### Notice of Amendment

##### Amendment L228

The City of Greater Geelong has prepared Amendment L228 to the Greater Geelong Planning Scheme.

The Amendment proposes to amend the Local Section of the Greater Geelong Planning Scheme to provide for the re-subdivision of 3 allotments at Moss Road, Leopold into not more than 6 allotments subject to planning permit.



The Amendment can be inspected at: City of Greater Geelong, 2nd Floor, 103 Corio Street, Geelong; Department of Infrastructure, Office of Planning, 63 McKillop Street, Geelong 3220; Department of Infrastructure, Level 3 Plaza, Nauru House, 80 Collins Street, Melbourne 3000.

Submissions about the Amendment must be sent to the Planning Scheme Unit, City of Greater Geelong, P.O. Box 104, Geelong 3220 by Monday 3 August 1998.

**CHUBB FADGYAS**  
Co-ordinator City & Regional Planning

---

**Planning and Environment Act 1987**  
**MONASH PLANNING SCHEME**

Notice of Amendment

Amendment L40

The City of Monash has prepared Amendment L40 to the Monash Planning Scheme.

The Amendment proposes to rezone land at the 1219 Centre Road, South Oakleigh to "Mixed Use Zone". The land is currently designated "Extractive Industrial Zone" under the Monash Planning Scheme.

Council proposes to sell the property and "Mixed Use Zone" will be consistent with the intended useage of the site.

A copy of the Amendment can be inspected during office hours, free of charge at either the City of Monash, Civic Centre, 293 Springvale Road, Glen Waverley or the Department of Infrastructure, Upper Plaza, Nauru House, 80 Collins Street, Melbourne.

Submissions about the Amendment must be sent to the City of Monash, C/O Post Office Box 1, Glen Waverley 3150, by 10 August 1998.

**DAVID CONRAN**  
Chief Executive Officer

---

**Planning and Environment Act 1987**  
**BAYSIDE PLANNING SCHEME**

Notice of Amendment

Amendment L11

Bayside City Council has prepared Amendment No. L11 to the Bayside Planning Scheme, Local Section.

This Amendment affects 23, 25 & 27 Victor Avenue, Cheltenham.

The Amendment proposes to vary a restrictive covenant on Certificate of Titles which include Volume 5619 Folio 678 (Lot 16), Volume 9114 Folio 970 (Lot 17) and Volume 8817 Folio 051 (Lot 18 and part of Lot 19). The covenant provides, amongst other matters, that no more than one dwelling with necessary fences and outbuildings may be erected on either of the said lots. The Amendment seeks to vary this provision to enable the erection of a house on each of Lots 2 and 3 in accordance with Planning Permit 96/2298, issued by Bayside City Council at the direction of the Administrative Appeals Tribunal on March 13, 1998.

The Amendment can be inspected, during office hours, at Bayside City Council, Municipal Offices, Royal Avenue, Sandringham 3191 or Department of Infrastructure, Level 3 Plaza, Nauru House, 80 Collins Street, Melbourne, Vic. 3000.

Submissions about the Amendment must be sent to Bayside City Council, Planning Department, P.O. Box 27, Sandringham, Vic. 3191 by 5.00 p.m. Thursday 16 July 1997.

Dated 11 June 1998.

**MICHAEL TOP**  
Development Manager

---

**Planning and Environment Act 1987**  
**FRANKSTON PLANNING SCHEME**

Notice of Amendment

Amendment L105

The Frankston Council has prepared Amendment L105 to the Local Section of the Frankston Planning Scheme.

The Amendment proposes to rezone land known as 9-17 Cranbourne Road, Part of No. 67 and No. 69 Playne Street, Frankston from Residential C to Business 4 Zone and specifies a combined floor area limit for bulky goods retailing.

The Amendment can be inspected at: Frankston City Council, Town Planning Department, Civic Centre, Davey Street, Frankston, Vic. 3199; Department of Infrastructure, Nauru House, Customer Service Centre, Level 3, 80 Collins Street, Melbourne, Vic. 3000.

Submissions about the Amendment must be sent to: Development Manager, Frankston City Council, P.O. Box 490, Frankston, Vic. 3199 by 3 August, 1998.

**RICHARD UMBERS**  
Development Manager

---

Submissions about the Amendment must be sent to: Development Manager, Frankston City Council, P.O. Box 490, Frankston, Vic. 3199 by 3 August, 1998.

**RICHARD UMBERS**  
Development Manager

---

**Planning and Environment Act 1987**  
**FRANKSTON PLANNING SCHEME**  
Notice of Amendment

Amendment L106

Frankston Council has prepared Amendment L106 to the Local Section of the Frankston Planning Scheme.

The Amendment proposes to rezone land at Nos. 36 and 38 Dandenong Road from Residential C to Frankston District Centre Zone 5.

The Amendment can be inspected at: Frankston City Council, Town Planning Department, Civic Centre, Davey Street, Frankston, Vic. 3199; Department of Infrastructure, Customer Service Centre, Level 3, 80 Collins Street, Melbourne, Vic. 3000.

Submissions about the Amendment must be sent to: Development Manager, Frankston City Council, P.O. Box 490, Frankston, Vic. 3199 by 3 August, 1998.

**RICHARD UMBERS**  
Development Manager

---

**Planning and Environment Act 1987**  
**CRANBOURNE PLANNING SCHEME**  
Notice of Amendment

Amendment L190

Frankston Council has prepared Amendment L190 to Cranbourne Planning Scheme.

The Amendment proposes to rezone land at No. 96 Warrandyte Road, Langwarrin (Part Crown Allotment 48B) from Public Use Zone - CFA to Mixed Use Zone.

The Amendment can be inspected at: Frankston City Council, Town Planning Department, Civic Centre, Davey Street, Frankston, Vic. 3199; Department of Infrastructure, Customer Service Centre, Level 3, 80 Collins Street, Melbourne, Vic. 3000.



**MANNINGHAM**

**Planning and Environment Act 1987**  
**DONCASTER AND TEMPLESTOWE**  
**PLANNING SCHEME**  
Notice of Amendment

Amendment L135

Manningham City Council has prepared Amendment L135 to the Doncaster and Templestowe Planning Scheme.

The Amendment affects land at 456-466 Ringwood-Warrandyte Road, South Warrandyte.

The Amendment introduces a site specific control into the Planning Scheme which enables the owners of the land to apply for a planning permit to subdivide the land into no more than two lots.

The subject land is currently within the Landscape Interest Zone under the Doncaster and Templestowe Planning Scheme. A permit is required to subdivide land in this zone and each lot must be at least 8 hectares. As the subject land has an area of 7.56 hectares, subdivision of the subject land is prohibited.

The Amendment introduces a site specific control to allow subdivision of the subject property on compassionate grounds. As a result of the owner's medical and financial hardships, the sale of the excised lot created will enable the owners to remain in their existing dwelling to be contained on one of the two lots created by the subdivision. The existing dwelling contains a number of facilities required for the owner's medical therapy.

The Amendment can be inspected at: Manningham City Council Municipal Offices, 699 Doncaster Road, Doncaster.

Department of Infrastructure, Level 3 Plaza, Nauru House, 80 Collins Street, Melbourne.

Submissions about the Amendment must be sent to: Manningham City Council, P.O. Box 1, Doncaster, Vic. 3108. Attention: Manager Economic and Environmental Planning before 6 August 1998.

Dated 1 July 1998.

**BOB SEIFFERT**  
Chief Executive

**Planning and Environment Act 1987**

**HEPBURN PLANNING SCHEME**

Notice of Amendment

Amendment L7

The Hepburn Shire Council has prepared Amendment L7 to the Hepburn Planning Scheme, Local Section - Chapter 4.

The Amendment affects land at Lot 2 East Street, Daylesford.

The Amendment proposes to change the planning scheme by altering the zoning of the land from the Industrial Zone "IN1" to a Public Purposes Reservation for Central Highlands Water Authority "PP23". The Amendment is to facilitate the acquisition and use of the site for a water treatment plant and depot facility for Central Highlands Water Authority.

The Amendment can be inspected at: Hepburn Shire Council, Vincent Street, Daylesford; Department of Infrastructure (Planning Group), 477 Collins Street, Melbourne; Department of Infrastructure (Planning Group) 1315 Sturt Street, Ballarat.

Submissions about the Amendment must be sent to the Chief Executive Officer, Hepburn Shire Council, P.O. Box 21, Daylesford 3460 by 7 August 1998, indicating whether you wish to be heard in respect of the submission.

Dated 4 July 1998

**CON TSOUROUNAKIS**  
Manager Planning

Creditors, next-of-kin and others having claims against the estate of any of the under-mentioned deceased persons are required to send particulars of their claims to State Trustees Limited, A.C.N. 064 593 148, 168 Exhibition Street, Melbourne, Victoria 3000, the personal representative, on or before 2 September 1998 after which date State Trustees Limited may

convey or distribute the assets having regard only to the claims of which State Trustees Limited then has notice.

**ALLEN, Arthur Keith James**, also known as Keith Allen, late of 5 Devon Avenue, Coburg, retired, who died 11 March, 1998.

**GRIFFIN, James Michael John**, late of 21 George Street, Wangaratta, retired, who died 30 March, 1998.

**KARPOWICZ, Jan**, late of Unit 1, 28 Belmont Avenue, Glen Iris, pensioner, who died 11 April, 1998.

**KOVACS, Frank**, late of 3/15 Dobell Drive, Chelsea, retired, who died 13 October, 1997.

**O'BRYAN, Morven Alistair**, late of 7 Townsend Street, Portland, pensioner, who died 24 November, 1996.

**RZEPKA, Leon**, late of 63 Skene Street, Newtown, Geelong, retired, who died 15 April, 1998.

**SMYTH, Irene Ann**, late of 58 Truganini Road, Carnegie, pensioner, who died 2 June, 1998.

**VOSMIK, Libuse**, late of Unit 3, 20 Lysterville Avenue, Malvern, retired, who died 17 October, 1997.

Dated at Melbourne 24 June 1998.

**CATHY VANDERFEEN**  
Manager, Estate Management  
State Trustees Limited

Creditors, next-of-kin and others having claims against the following estates:

**PHYLLIS ELIZABETH FRANCES KAYE**, late of Fairmont Private Nursing Home, 157 Male Street, Brighton, Victoria, pensioner, deceased, who died on 26 November 1996.

**KEVIN WALTER JOHN NICHOLLS**, late of 52 Smith Street, Springvale, Victoria, owner driver, deceased intestate, who died on 15 June 1997.

**LILY EMMA NEILSEN**, late of Jedasa House Private Nursing Home, 218 Lower Plenty Road, Rosanna, Victoria, textile worker, deceased, who died on 25 February 1998.

Creditors, next-of-kin and others having claims against the abovementioned estates are required pursuant to Section 33 of the **Trustee Act 1958** to send particulars of their claims

against the abovementioned estates to State Trustees Limited, 168 Exhibition Street, Melbourne, Victoria on or before 2 September 1998 after which date State Trustees Limited, A.C.N. 064 593 148, may convey or distribute the assets of the abovementioned estates having regard only to the claims of which it then has notice.

---

Creditors, next-of-kin and others having claims against the estate of any of the undermentioned deceased persons are required to send particulars of their claims to State Trustees Limited, A.C.N. 064 593 148, 168 Exhibition Street, Melbourne, Victoria 3000, the personal representative, on or before 7 September 1998 after which date State Trustees Limited may convey or distribute the assets having regard only to the claims of which State Trustees Limited then has notice.

CLARKE, Jean Frances, late of 23 Busch Street, West Footscray, married woman, who died 11 May, 1998.

NICHOLSON, Neil Barrymore, late of Amaroo Private Nursing Home, Kennedy Street, Euroa, retired technician, who died 21 May, 1998.

TAYLOR, Margery Joan, late of Salford Park Retirement Village, Unit 113, 100 Harold Street, Wantirna, retired, who died 16 April 1998.

Dated 29 June, 1998.

CATHY VANDERFEEN  
Manager, Estate Management  
State Trustees Limited

---

Creditors, next-of-kin and others having claims against the following estates:-

JEAN DAWSON BUCKPITT, late of Gwennap Home for the Aged, 319-321 Geelong Road, West Footscray, Victoria, pensioner, deceased, who died on 23 April 1998.

ANTONIO CORDIMA, late of South Haven, 6 St Leonards Street, St Kilda, Victoria, pensioner, deceased intestate, who died on 28 February 1998.

JOHN ERIC McDONALD, late of 44 St Vincent's Place, Albert Park, Victoria, council worker, deceased intestate, who died on 5 May 1998.

JOHN PHILIP OSBORNE, late of Caulfield Hospital, 294 Kooyong Road, Caulfield, Victoria, pensioner, deceased intestate, who died on 20 March 1998.

MEERLIN ARTHUR PRITCHETT, late of Healesville and District Private Nursing Home, 1 Don Road, Healesville, Victoria, retired, deceased, who died on 20 May 1998.

NORMAN WADDELL, late of 262 Ascot Vale Road, Ascot Vale, Victoria, pensioner, deceased intestate, who died on 5 January 1997.

Creditors, next-of-kin and others having claims against the abovementioned estates are required pursuant to Section 33 of the **Trustee Act 1958** to send particulars of their claims against the abovementioned estates to State Trustees Limited, 168 Exhibition Street, Melbourne, Victoria, on or before 7 September, 1998 after which date State Trustees Limited, A.C.N. 064 593 148 may convey or distribute the assets of the abovementioned estates having regard only to the claims of which it then has notice.

---

EXEMPTION FROM NOTIFICATION OF  
VACANCY UNDER SECTION 29(2) OF  
THE PUBLIC SECTOR MANAGEMENT  
ACT 1992

Position Number: DTF D00760, Senior Policy Officer, Victorian Public Service Officer, VPS-5, GBE Reform Branch.

*Reason for exemption*

The position has been formally reclassified in writing. Such reclassification is clearly based on a demonstrated and significant shift in work value in a specialised area of work, the incumbent is an officer who is recognised as satisfactorily discharging all of the requirements of the position and the Department Head considers that it is unlikely that advertising the vacancy would attract a more suitable candidate.

IAN LITTLE  
Secretary,

Department of Treasury and Finance

---

EXEMPTION FROM NOTIFICATION OF  
VACANCY UNDER SECTION 29(2) OF  
THE PUBLIC SECTOR MANAGEMENT  
ACT 1992

Position Number: 25/87/0537/3, Senior Personnel Officer, VPS-3, People Services Division, Department of Education.

*Reason for exemption*

The position has been formally reclassified in writing. Such reclassification is clearly based on a demonstrated and significant shift in work value in a specialised area of work, the incumbent is an officer who is recognised as satisfactorily discharging all of the requirements of the position and the Department Head considers that it is unlikely that advertising the vacancy would attract a more suitable candidate.

GEOFF SPRING  
Secretary,  
Department of Education

---

EXEMPTION FROM NOTIFICATION OF  
VACANCY UNDER SECTION 29(2) OF  
THE PUBLIC SECTOR MANAGEMENT  
ACT 1992

Position Number: 25/87/0111/8, Senior Personnel Officer, VPS-3, People Services Division, Department of Education.

*Reason for exemption*

The position has been formally reclassified in writing. Such reclassification is clearly based on a demonstrated and significant shift in work value in a specialised area of work, the incumbent is an officer who is recognised as satisfactorily discharging all of the requirements of the position and the Department Head considers that it is unlikely that advertising the vacancy would attract a more suitable candidate.

GEOFF SPRING  
Secretary,  
Department of Education

---

EXEMPTION FROM NOTIFICATION OF  
VACANCY UNDER SECTION 29(2) OF  
THE PUBLIC SECTOR MANAGEMENT  
ACT 1992

Position Number: 25/87/0492/1, Senior Personnel Officer, VPS-3, People Services Division, Department of Education.

*Reason for exemption*

The position has been formally reclassified in writing. Such reclassification is clearly based on a demonstrated and significant shift in work value in a specialised area of work, the incumbent is an officer who is recognised as satisfactorily discharging all of the requirements of the position and the Department Head considers that it is unlikely that advertising the vacancy would attract a more suitable candidate.

GEOFF SPRING  
Secretary,  
Department of Education

---

EXEMPTION FROM NOTIFICATION OF  
VACANCY UNDER SECTION 29(2) OF  
THE PUBLIC SECTOR MANAGEMENT  
ACT 1992

Position Number: 35/01/6319/9, Manager, Taxi Enforcement, Class VPS-4, Taxi Directorate, Contracts, Regulations and Compliance Services Division, Department of Infrastructure.

*Reason for exemption*

The position has been reclassified to recognise a demonstrated and significant shift in work value in a specialised area of work, the incumbent is an officer who is recognised as satisfactorily discharging all of the requirements of the position and the Department Head considers that it is unlikely that advertising the vacancy would attract more suitable candidates.

SUE JAQUINOT  
Deputy Secretary,  
Department of Infrastructure

---

EXEMPTION FROM NOTIFICATION OF  
VACANCY UNDER SECTION 29(2) OF  
THE PUBLIC SECTOR MANAGEMENT  
ACT 1992

Position Number: 35/01/6301/0, Assistant Director, Policy & Operations, Class VPS-5, Taxi Directorate, Contracts, Regulations and Compliance Services Division, Department of Infrastructure.

*Reason for exemption*

The position has been reclassified to recognise a demonstrated and significant shift in work value in a specialised area of work, the incumbent is an officer who is recognised as

satisfactorily discharging all of the requirements of the position and the Department Head considers that it is unlikely that advertising the vacancy would attract more suitable candidates.

SUE JAQUINOT  
Deputy Secretary,  
Department of Infrastructure

---

EXEMPTION FROM NOTIFICATION OF  
VACANCY UNDER SECTION 29(2) OF  
THE PUBLIC SECTOR MANAGEMENT  
ACT 1992

Position Number: 70/63/2640/9, Disability Client Services Manager, VPS-5, Southern Metropolitan Region, Department of Human Services.

*Reason for exemption*

Temporary Vacancy - The proposed appointee has been merit selected for a period of higher duties/temporary or fixed term employment, has been acting for at least 12 months, and the position subsequently becomes vacant.

W. J. McCANN  
Secretary,  
Department of Human Services

---

EXEMPTION FROM NOTIFICATION OF  
VACANCY UNDER SECTION 29(2) OF  
THE PUBLIC SECTOR MANAGEMENT  
ACT 1992

Position Number: 341400205, VPS-4, Northern Metropolitan Region, Department of Human Services.

*Reason for exemption*

The position has identical duties and qualifications to a position that was recently advertised and the person applied for the vacancy and was assessed as meeting the requirements of the position.

W. J. McCANN  
Secretary,  
Department of Human Services

---

EXEMPTION FROM NOTIFICATION OF  
VACANCY UNDER SECTION 29(2) OF  
THE PUBLIC SECTOR MANAGEMENT  
ACT 1992

Position Number: 701837579, VPS-5, Corporate Strategy Division, Department of Human Services.

*Reason for exemption*

The position has identical duties and qualifications to a position that was recently advertised and the person applied for the vacancy and was assessed as meeting the requirements of the position.

W. J. McCANN  
Secretary,  
Department of Human Services

---

EXEMPTION

Application No. 56 of 1998

The Anti-Discrimination Tribunal, constituted pursuant to Section 182 of the **Equal Opportunity Act 1995**, ("the Act"), has considered an application pursuant to Section 83 of the Act by Calisthenics Victoria Inc. for exemption from Sections 42, 60 & 65 of that Act. The application for exemption is to enable the applicant and its affiliated clubs to exclude males under the age of 12 from participating in Calisthenics.

Upon reading the material submitted in support of the application and upon hearing submissions from Ms Judy Seedsman and Ms Lyn Hayward and for the Reasons for Decision given by the Tribunal on 29 June 1998, the Tribunal is satisfied that it is appropriate to grant an exemption from Sections 42, 60 and 65 of the Act to enable the applicant and its affiliated clubs to exclude males under the age of 12 from participating in Calisthenics.

The Tribunal hereby grants an exemption to the applicant from the operation of Sections 42, 60 and 65 of the **Equal Opportunity Act 1995** to enable the applicant and its affiliated clubs to exclude males under the age of 12 from participating in Calisthenics.

This exemption is to remain in force from the day on which notice of the exemption is published in the Government Gazette until 1 January 2000.

Dated this 29 June 1998.

CATE McKENZIE  
President

N.B. A copy of the Reasons for Decision is available from the Registrar of the Anti-Discrimination Tribunal.

---

## EXEMPTION

## Application No. 60 of 1998

The Anti-Discrimination Tribunal, constituted by the President pursuant to Section 182 of the **Equal Opportunity Act 1995**, ("the Act"), has considered an application pursuant to Section 83 of the Act by Mirimbiak Nations Aboriginal Corporation. The application for exemption is to enable the applicant to advertise and employ a male or female indigenous person, where required to preserve gender balance, as field officers for the Native Title Representative Body for the State of Victoria.

Upon reading the material tendered in support of the application the Tribunal is satisfied that it is appropriate to grant an exemption from Sections 13, 100 and 195 of the Act to enable the applicant to advertise and employ a male or female indigenous person, where required to preserve gender balance, as field officers for the Native Title Representative Body for the State of Victoria.

In granting this exemption the Tribunal noted:

- Mirimbiak Nations Aboriginal Corporation ("MNAC") is the Native Title Representative Body for the State of Victoria. MNAC prepares native title applications for indigenous people in Victoria.
- Currently MNAC has two field officer positions. To date one male and one female always filled these positions. The field officers are responsible for the gathering of sensitive information relating to Native Title Claims. The information may be of a cultural significance and relate to Women's business, that is the material can only be viewed by women. This also occurs for men and that material can only be viewed by men.
- The person who fills the position is required to offer MNAC management and other departments advice on cultural issues. A non-indigenous person would be less able to provide this type of information, which can be vital when making decisions that affect groups' native title rights. A male would not be able to provide such advice on women's

issues and a female would not be able to provide such advice on men's issues.

- The positions require an ability to communicate effectively with the Koori community.
- Experience in the Aboriginal community has shown that because people are dealing with sensitive cultural issues relating to their land, they prefer to talk in the first instance with an indigenous person. The field officers act as a practical link to other staff in the organisation.

The Tribunal grants an exemption from the operation of Sections 13, 100 and 195 of the **Equal Opportunity Act 1995**, to enable the applicant to advertise and employ a male or female indigenous person, where required to preserve gender balance, as field officers for the Native Title Representative Body for the State of Victoria. This exemption is to remain in force from the day on which notice of the exemption is published in the Government Gazette until 1 January 2001.

CATE MCKENZIE  
President

## EXEMPTION

## Application No. 59 of 1998

The Anti-Discrimination Tribunal, constituted by the President pursuant to Section 182 of the **Equal Opportunity Act 1995** ("the Act") has considered an application pursuant to Section 83 of the Act by The Botanical Gardens Board. The application for exemption is to enable the applicant to advertise and employ Aboriginal tour guides to conduct tours of Aboriginal sacred sites.

Upon reading the material tendered in support of the application the Tribunal is satisfied that it is appropriate to grant an exemption from Sections 13, 100 and 195 of the Act to enable the applicant to advertise and employ Aboriginal tour guides to conduct tours of Aboriginal sacred sites.

In granting this exemption the Tribunal noted:

- The land occupied by the Royal Botanic Gardens ("RBG"), Melbourne was of great significance to the traditional

custodians of the area, the Bunurong and Wurundjeri people. The Gardens' South Yarra site has always been known in tradition and history as a meeting place.

- The Aboriginal tour aims to honour with respect the land and "spirit of place" which the RGB now occupies, to honour the traditional indigenous custodians of this land, namely the Wurundjeri and Bunurong of the Kulin peoples, and to honour the RGB as the significant traditional meeting place for local Aboriginal people.
- The Aboriginal Heritage Tours are to be delivered with the awareness that this is the first opportunity intimately involving Aboriginal people on this site since the establishment of the RGB in 1846, and to encourage these tours to be developed in partnership between many cultures and be shown as a tangible form of reconciliation.
- The aim is to utilise these tours as a vehicle to empower and network with other Aboriginal community groups in the area, to enhance community wide awareness and education, and give participants a greater understanding, respect and appreciation for the diversity of Aboriginal people, their customs and rich heritage, to weave the spiritual links of the land into the overall tour format to highlight the relevance of today to the past, to emphasise the significance of the local inner Melbourne land pre settlement and to provide an avenue for active input and employment opportunities for people of indigenous Australian descent.
- The tours require that the guides be accepted as Aboriginal people by the relevant Aboriginal community (the Bunurong and Wurundjeri people) in order to ensure their support and to enhance the credibility and authenticity of the programs. The elders of the Bunurong and Wurundjeri people are supportive of the draft proposals. The tours will provide an insight into the cultural and historical significance of the site, and focus on the interpretation of Aboriginal traditional culture, foods and resources.

The Tribunal grants an exemption from the operation of Sections 37, 100 and 195 of the **Equal Opportunity Act 1995**, to enable the applicant to advertise and employ Aboriginal tour guides to conduct tours of Aboriginal sacred sites. This exemption is to remain in force from the day on which notice of the exemption is published in the Government Gazette until 1 January 2001.

CATE McKENZIE  
President

#### EXEMPTION

Application No. 58 of 1998

The Anti-Discrimination Tribunal, constituted by the President pursuant to Section 182 of the **Equal Opportunity Act 1995** ("the Act") has considered an application pursuant to Section 83 of the Act by Australian Greek Welfare Society. The application for exemption is to enable the applicant to advertise and employ a male or female, where required to obtain a gender balance, of Greek background to work in its In-home and Recreational Respite program.

Upon reading the material tendered in support of the application the Tribunal is satisfied that it is appropriate to grant an exemption from Sections 13, 100 and 195 of the Act to enable the applicant to advertise and employ a male or female, where required to obtain a gender balance, of Greek background to work in its In-home and Recreational Respite program.

In granting this exemption the Tribunal noted:

- Australian Greek Welfare Society (AGWS) is an organisation providing services to the Australian Greek community, for over 27 years. It comprises 4 units: Welfare; Childcare; Employment and Training and the Aged and Disability Services Units.
- AGWS is seeking to employ 1 male and 1 female of Greek background to become part of the in-home respite program. As many of the clients of the service do not speak English a knowledge of Greek language is essential for the services to be effectively provided. These clients will



communicate more effectively with a person of Greek background, particular in relation to matters concerning their personal needs and care. The applicant wishes to employ a male or female from time to time where required, so that this gender balance can be preserved.

- The type of work undertaken by the staff comprises personal care work, such as showering, feeding, cleaning, toileting, lifting and grooming as well as socialisation/recreation (communication, assisting clients to interact with community services. In most cases the staff member is alone with the client to give the carer a break from that role.
- Clients themselves and carers often request or have a preference for the gender of the staff to be employed. In some cases, families have refused the service due to not having the option of being able to choose the gender of respite staff.

The Tribunal grants an exemption from the operation of Sections 13, 100 and 195 of the **Equal Opportunity Act 1995**, to enable the applicant to advertise and employ a male or female, where required to obtain a gender balance, of Greek background to work in its In-home and Recreational Respite program. This exemption is to remain in force from the day on which notice of the exemption is published in the Government Gazette until 1 January 2001.

CATE MCKENZIE  
President

---

**Marine Act 1988**

**Notice No. 1 Under Section 15(2)**

**NOTICE SETTING OUT CERTAIN RULES TO BE OBSERVED BY OPERATORS OF VESSELS AND OTHER USERS OF SPECIFIED STATE WATERS**

Notice is hereby given that the rules set out in this notice (in addition to any other obligations in the **Marine Act 1988** or in regulations made under the **Marine Act 1988** or any other Act) must be observed by operators of vessels and by other users of the specified State waters described in this notice, for the purposes of section 15(2) of the **Marine Act 1988**.

This notice (including Schedules to the notice) was made by the Marine Board of Victoria on 26<sup>th</sup> June 1998 on the recommendation of Commander A.R. Johnson, a member of the Victoria Police Force under section 15(2) of the **Marine Act 1988**, with effect from and including 1 July 1998.

BRUCE PHILLIPS, Chief Executive, Marine Board of Victoria

**REVOCATIONS**

This notice revokes all notices previously made by the Marine Board under section 15(2) of the **Marine Act 1988**.

---

**PRELIMINARY***Interpretation*

1. In this notice-

**“Access lane”** means an area of water specified in a Schedule which is set aside to permit access to or from the shore at speed-

- (a) for a vessel which is towing a water-skier, or
- (b) for launching or retrieving a vessel at a boat ramp when the ramp is located in the area specified as an access lane.

**“Approved buoyancy garment”** means a buoyancy garment that-

- (a) has been approved by the Board; or
- (b) complies with the Australian Standards specification for buoyancy garments as published by the Standards Association of Australia on 7 December 1984 as AS 2260-1984.

**“Approved buoyancy vest”** means a buoyancy vest that-

- (a) has been approved by the Marine Board of Victoria; or
- (b) complies with the Australian Standards specification for buoyancy vests-
  - (i) as approved by the Council of the Standards Association of Australia on 1 December 1965 and published as “Australian Standard Z27-1966”;
  - (ii) as published by the Standards Association of Australia in 1973 as AS 1499-1977;
  - (iii) as published by the Standards Association of Australia on 1 July 1979 as AS 1499-1979;
  - (iv) as published by the Standards Association of Australia on 1 March 1983 as AS 1499-1983.

**“Approved lifejacket”** means a lifejacket that-

- (a) complies with the requirements specified under the Navigation Act 1912 of the Commonwealth; or
- (b) has been approved by the Marine Board of Victoria prior to the commencement of this notice; or
- (c) complies with the Australian Standards specification for lifejackets-
  - (i) as approved by the Council of the Standards Association of Australia on 1 December 1965 and published as “Australian Standard Z27-1966”; or
  - (ii) as published by the Standards Association of Australia in 1973 as AS 1512-1973; or
  - (iii) as published by the Standards Association of Australia on 1 June 1981 as AS 1512-1981; or
  - (iv) as published by the Standards Association of Australia on 1 March 1983 as AS 1512-1983.

**“Approved personal flotation device”** means a personal flotation device that complies with the

---

---

**Notice Under Reg. 800(3) Marine (Fees) Regulations 1988**

---

Australian Standards specification for personal flotation devices-

- (i) as published by the Standards Association of Australia on 4 January 1988 as AS 1512-1988;
- (ii) as published by the Standards Association of Australia on 4 January 1988 as AS 1499-1988;
- (iii) as published by the Standards Association of Australia on 4 January 1988 as AS 2260-1988.

**“Coastal waters”** means the territorial sea adjacent to the State and the sea on the landward side of that territorial sea that is not within the limits of the State.

**“Flag”** means a burgee white to the mast and blue to the fly, corresponding to Flag A of the International Code of Signals, indicating "diver below".

**“Hire and Drive Vessel”** means a vessel (other than a recreational vessel) that is intended to be let for hire or reward or for any other consideration and includes a vessel provided at a holiday establishment or hotel for the use of tenants or guests.

**“Houseboat”** means any boat, vessel or pontoon having a fixed house above the deck with accommodation which may be used by persons residing on board for an overnight period or longer.

**“Inland waters”** means waters within the limits of the State which are not within port waters or a designated port under the **Marine Act 1958**.

**“No wash zone”** means an area of water specified in a Schedule through which a vessel must only pass at a speed which creates minimal wash or no wash.

**“Owner”**, in respect of a Hire and Drive vessel includes a part owner or a person who for the time being has possession of the vessel, but does not include a person who is a hirer or a person who has a conditional or unconditional right to take possession of the vessel under a hire purchase agreement, bill of sale or other similar instrument and who has not yet exercised that right.

**“Personal water craft”** includes a power ski, aqua-scooter, jet bike, jet ski, wave runner, wave jammer, ski-free, motorised surfboard and any similar vessel that has an engine used for propulsion.

**“Schedule”** means a Schedule to this notice.

**“Speed restriction zone”** means an area of water specified in a Schedule within which a vessel must not be operated in excess of the speed designated in the Schedule.

**“State waters”** means-

- (a) the territorial sea adjacent to the State; and
  - (b) the sea on the landward side of the territorial sea adjacent to the State that is not
-

- (c) within the limits of the State; and
- (c) waters within the limits of the State.

“**Water-skier**” means a person being towed by a vessel which has an engine that is used for propulsion whether or not the person is wearing water-skis or-

- (a) is being towed bare-footed; or
- (b) is being towed on a surfboard or similar device; or
- (c) is engaging in para-sailing or in a similar activity.

### SPEED LIMITS AND SAFETY DISTANCES

#### *State Waters*

2. A person must not operate a vessel on any State waters at a speed exceeding 5 knots-
  - (a) within 30 metres of a person in the water; or
  - (b) within 90 metres of a vessel or buoy on which is displayed a burgee or replica, white to the mast and blue to the fly corresponding to International Code Flag "A" indicating "diver below"; or
  - (c) within 30 metres of another vessel excepting where both vessels are either-
    - (a) engaged in competition or in bona fide training organised in accordance with the rules of a State or Nationally recognised water sporting association; or
    - (b) within an exclusive area prescribed in a Schedule to this Notice which is set aside for a specific activity under Clause 13 in which the width of water prevents the keeping of that distance.

#### *Inland Waters*

3. Unless otherwise specified in a Schedule, a person must not operate a vessel on any inland waters at a speed exceeding 5 knots-
  - (a) within 30 metres of the waters edge; or
  - (b) within 30 metres of a fixed or floating structure in or on the water-except in an access lane.

#### *Coastal Waters and Ports*

4. Unless otherwise specified in a Schedule, a person must not operate a vessel in coastal waters or in a port or designated port under the **Marine Act 1988** at a speed exceeding 5 knots-
  - (a) within 200 metres of the waters edge; or
  - (b) within 60 metres of a wharf, jetty, slipway, diving platform or boat ramp; or
  - (c) when passing through a recognised anchorage for small craft-except in an access lane.

### CATEGORISATION AND USE OF WATERS

#### *Establishment of Access Lanes*

5. (1) An area of water specified in a Schedule as an access lane for the purposes of this clause is an access lane.
  - (2) Subject to a Schedule specifying a different means of establishing an access lane, an access lane may be established-
-

---

**Notice Under Reg. 800(3) Marine (Fees) Regulations 1988**

---

- (a) by a line through green buoys on each side boundary of an access lane defining the boundary of that side of the access lane; or
- (b) by a line extending 200 metres to seaward from the transit of two beacons on the shore on each side boundary of an access lane defining the boundary of that side of the access lane, the two beacons consisting of a beacon having an orange disc topmark and a beacon between that beacon and the water having a black and yellow chequered triangular topmark.

***Use of Access Lanes***

6. (1) A person who-

- (a) operates a vessel which is towing a water-skier; or
- (b) engages in the activities of a water-skier-

at a speed exceeding 5 knots must depart from and return to the shore only through an access lane.

(2) A person must not use an access lane except for the purposes or-

- (a) dropping off or picking up a water-skier; or
- (b) launching or retrieving a vessel at a boat ramp when the ramp is located within an access lane; or
- (c) operating a vessel whose operation necessitates unrestricted speed departure from and approach to the shore.

(3) A person operating any vessel in an access lane-

- (a) must not-
  - (i) if dropping off or picking up a water-skier, operate the vessel at a speed greater than that reasonably required to drop off or pick up the water-skier; or
  - (ii) if operating a vessel for the purposes of seeking access to or from a boat ramp within the access lane, operate that vessel at a speed greater than that reasonably required to maintain control of the vessel; and
- (b) must remove or beach the vessel and secure all equipment as soon as practicable after accomplishing the purpose for which he or she entered the access lane; and
- (c) must keep-
  - (i) as far to the right as practicable when entering or leaving the access lane; or
  - (ii) as far to the left as possible when entering or leaving the access lane where a Schedule prescribes that vessels must be operated in a clockwise direction in relation to the approximate centre of the waterway; and
- (d) must give right of way-
  - (i) to any vessel proceeding past the access lane; or
  - (ii) to any vessel about to enter or which is already in the access lane for the purpose of dropping off a water-skier; or
  - (iii) to a vessel which is about to enter or is already in the access lane for the purpose of gaining access to a boat ramp located in the access lane.

***Speed Restriction Zones***

7. (1) A person must not operate a vessel at a speed exceeding the speed specified in a Schedule for an area of water specified in the Schedule.

---

(2) Despite sub-clause (1), a speed restriction specified in a Schedule for an area of water may be expressed so as not to apply on particular days or at particular times specified in the Schedule.

***Areas where Water-skiers are Prohibited***

8. A person operating a vessel towing a water-skier or a water-skier must not enter an area of water specified in a Schedule as an area where water-skiers are prohibited.

***Areas where Vessels are Prohibited***

9. (1) A person must not operate a vessel in an area of water specified in a Schedule as being prohibited to vessels.

(2) Despite sub-clause (1), a prohibition on vessels specified in a Schedule may be expressed so as not to apply on particular days, or at particular times, or to particular vessels, or to particular vessels travelling at designated speeds.

***Prohibition on Vessels with Engines***

10. (1) A person must not operate a vessel which has an engine that is used for propulsion in an area of water specified in a Schedule as being prohibited to those vessels.

(2) Despite sub-clause (1), a prohibition on vessels with engines used for propulsion specified in a Schedule may be expressed to apply to vessels with engines of a particular type or capacity.

***No Wash Zones***

11. A person must operate a vessel in a manner which creates minimal wash or no wash in an area of water specified in a Schedule as a no wash zone.

***Prohibition of Specific Activities***

12. A person must not operate a vessel or engage in an activity when that operation or activity is prohibited in an area of water specified in a Schedule.

***Exclusive Use and Special Purpose Areas***

13. Where an area of water specified in a Schedule has a condition or conditions of use prescribed in the Schedule for the use of that area of water, a person must not use that area of water in contravention of the condition or conditions of use.

***Direction of Travel on Inland Waters***

14. A person must operate a vessel with an engine used for propulsion on inland waters-

(a) in an anti-clockwise direction in relation to the approximate centre of the waterway;  
or

(b) in a clockwise direction where a Schedule prescribes that such a vessel must be operated in that direction in relation to the approximate centre of the waterway-

except when the vessel is operating in a speed restriction zone or an access lane or is being operated at a speed of less than 5 knots.

***Giving Way***

15. A person operating a vessel with an engine used for propulsion must give way to all other vessels when departing from the shore at any location.

---

## BATHERS

### *Areas where Bathers are Prohibited*

16. A person must not bathe-
- (a) within 30 metres of any launching ramp that is being used or is about to be used for the launching or recovery of any vessel; or
  - (b) within an access lane.

## SAILBOARDS

### *Operation of Sailboards*

17. A person operating a sailboard or similar vessel on any State waters-
- (a) must not impede the progress of a tug or other vessel assisting the movement, berthing or unberthing of a vessel;
  - (b) must not approach within 200 metres of any berth used for the purposes of commercial shipping;
  - (c) must not cross a shipping channel or shipping lane except when it is safe to do so and then by the shortest possible route;
  - (d) must not navigate along or within a shipping channel or shipping lane.

## WATER-SKIERS

### *Lifejackets etc. for Water-skiers*

18. A water-skier must wear an approved lifejacket, an approved buoyancy vest, an approved buoyancy garment or an approved personal flotation device at all times.

### *Towing Water-skiers etc.*

19. A person must not operate a vessel on any State waters-
- (a) when towing a water-skier unless in addition to the operator there is in the vessel a person aged 12 years old or more who is in a position to observe and communicate to the operator of the vessel the progress of the person being towed;
  - (b) when towing more than 3 water-skiers or a lesser number as prescribed in a schedule;
  - (c) when towing a water-skier between one hour after sunset and one hour before sunrise;
  - (d) when towing a water-skier who is not wearing an approved lifejacket, an approved buoyancy vest, an approved buoyancy garment or an approved personal flotation device.

## EXCESSIVE SMOKE NOISE OR SMELL

### *Smoke or Smell*

20. A person must not operate on any State waters a vessel which emits smoke or visible vapour or smell of such a quantity or extent as to be an annoyance or a danger to the public.

### *Noise*

21. (1) A person must not operate on any State waters a vessel with an engine used for propulsion unless the vessel has a silencing device-
- (a) securely fixed to its engine so that all the exhaust gases from the engine pass through the silencing device in such a manner as to prevent undue noise; and
-



- (b) which does not have attached to it a cut out or a device capable of producing an open exhaust.
- (2) A person must not operate a vessel on any State waters which is creating undue noise.

## **DIVERS**

### *Diving Operations*

22. The operator of any recreational vessel or hire and drive vessel engaged in diving operations on any State waters must ensure that there is exhibited on that vessel where it can clearly be seen a flag indicating there is a diver below, or a rigid replica of that flag, and-

- (a) in the case of a vessel of 10 metres or more in length, the height of such flag or replica must not be less than 1 metre; and
- (b) in the case of a vessel of less than 10 metres in length, the minimum size of such flag or replica shall be 750 millimetres by 600 millimetres.

### *Divers' Personal Flags*

23. (1) Subject to sub-clause (2) any person engaged in diving in any State waters must use a buoy attached to himself or herself by a length of rope, such buoy having attached to it a flag or a rigid replica of that flag, the dimensions of such flag or replica being not less than 300 millimetres by 200 millimetres.

(2) Sub-clause (1) does not apply to a person who-

- (a) is operating from a recreational vessel or hire and drive vessel which complies with the requirements of Clause 22; or
- (b) is within an area in which the operation of vessels is prohibited or in which vessels are not permitted to exceed a speed of 5 knots; or
- (c) is engaged in diving solely for recreation and is not equipped with any breathing apparatus designed to facilitate diving.

## **MOORING OR ANCHORING OF VESSELS**

### *Vessel not to be Moored to Navigation Marker or Buoy*

23A. The owner or the person in charge of a vessel must not permit that vessel to be moored, secured to or in any other way made fast to any navigation marker, beacon, buoy, pole or post fixed in or on any State waters.

### *Vessel not to be Anchored in Navigation Channel*

23B. The owner or person in charge of a vessel must not permit that vessel to be anchored in any channel or in any other area of State waters so as to impede or potentially impede the safe navigation of any other vessel.

## **OBSTRUCTING CHANNELS**

### *Boats, Persons or Equipment Obstructing Channels*

23C. Where a channel or waterway has been obstructed by a vessel or its equipment, occupants or persons, the owner or person in charge of that vessel and equipment must remove the obstruction from the channel or waterway without undue delay.

---

**Notice Under Reg. 800(3) Marine (Fees) Regulations 1988****GENERAL***Search and Rescue and Enforcement Vessels Exempted*

24. The provisions of this notice do not apply to-

- (a) a person who is operating a search and rescue vessel in search and rescue operations; or
- (b) a person who is operating a vessel for the purpose of the enforcement of the **Marine Act 1988** and any Regulations and notices made under the Act.

**HIRE AND DRIVE VESSELS***Owner of Hire and Drive Vessel to Comply with Regulations*

25. The owner of a vessel must not permit that vessel to be used as a hire and drive vessel unless that vessel complies with regulation 601 of the Marine (Vessels) Regulations 1988.

**INDEX TO SCHEDULES**

<i>Waters</i>	<i>Name of Authority</i>	<i>Sch</i>
Aire River	Dept. of Natural Resources and Environment	118
Albacutya-(National Park Waters)	Dept. of Natural Resources and Environment	75
Allans Flat-Lake	The Committee of Management of Allans Flat Lake Recreation Reserve Inc.	100
Anderson Inlet-Port	Gippsland Ports Committee of Management Inc.	114
Anglesea River	Surf Coast Shire Council	13
Balcombe Creek	The Council of the Shire of Mornington Peninsula	127
Banimboola-Lake (Dartmouth Pondage)	Goulburn-Murray Water	115
Barmah State Park-All Waters	Dept. of Natural Resources and Environment	120
Barwon Heads-Port	Barwon Coast Committee of Management Inc.	10
Barwon River (Geelong and District)	Barwon Region Water Authority	7
Batyo Catyo-Lake	Northern Grampians Shire Council	59
Beaufort Park Lake	Pyrenees Shire Council	128
Bellfield-Lake	Wimmera Mallee Rural Water Authority	45
Benalla-Lake (Broken River)	Delatite Shire Council	93
Blackburn-Lake	Whitehorse City Council	12
Blue Rock Lake	Gippsland and Southern Water Authority	113
Boga-Lake	Swan Hill Rural City Council	74
Bolac-Lake	The Lake Bolac Foreshore Committee of Management Inc.	40
Boort-Little Lake	Loddon Shire Council	53
Bostock Reservoir	Barwon Region Water Authority	8
Bridgewater Lakes	Dept. of Natural Resources and Environment	134
Browns Lake	Northern Grampians Shire Council	59

*Notice No. 1 Under S. 15(2) Marine Act 1988*

<i>Waters</i>	<i>Name of Authority</i>	<i>Sch</i>
Browns Swamp	Dept. of Natural Resources and Environment	119
Buffalo-Lake	Goulburn-Murray Water	96
Bullen Merri-Lake	Lake Bullen Merri Committee of Management Inc.	116
Bung Bung-Lake	Dept. of Natural Resources and Environment	28
Burrumbeet-Lake	Ballarat City Council	43, 43A
Cairn Curran-Reservoir	Goulburn-Murray Water	52
Carpull-Lake	Dept. of Natural Resources and Environment	82
Catani-Lake	Dept. of Natural Resources and Environment	89
Charm Lake	Gannawarra Shire Council	139
Cherry Lake	Melbourne Water	121
Clover Dam	Southern Hydro Ltd	98
Colac-Lake	State Waters	146
Cormorant-Lake	Melbourne Water	122
Corner Inlet-Port	Gippsland Ports Committee of Management Inc.	132
Costin-Lake	Dept. of Natural Resources and Environment	17
Craven-Lake	Dept. of Natural Resources and Environment	16
Cullulleraine-Lake	Mildura Rural City Council	79
Curdies River and Inlet	The Curdies River and Recreation Reserve Committee of Management Inc.	24
Dartmouth-Lake	Goulburn-Murray Water	99
Deep Lake	The Deep Lake Recreation Reserve Committee of Management Inc.	37
Dock Lake	Wimmera Mallee Rural Water Authority	141
Eildon-Lake and Pondage	Goulburn-Murray Water	90
Eppalock-Lake	Goulburn-Murray Water	49
Fitzroy River	Dept. of Natural Resources and Environment	25
Fletcher's Dam	Indigo Shire Council	101
Fyans-Lake	Northern Grampians Shire Council	70
Garry-Loch	Goulburn-Murray Water	94
Gellibrand River-(Part)	Dept. of Natural Resources and Environment	21
Gippsland Lakes-Port	Gippsland Ports Committee of Management Inc.	104
Glenelg River	Dept. of Natural Resources and Environment	31
Glenmaggie-Lake	Gippsland and Southern Water Authority	111
Goldfields Reservoir	Central Goldfields Shire Council	50
Goulburn River-Shires of Mitchell and Murrindindi	Goulburn Broken Catchment Management Authority	88
Goulburn River from Hughes Creek to Goulburn Weir including	Strathbogie Shire Council	91

---

*Notice Under Reg. 800(3) Marine (Fees) Regulations 1988*


---

<i>Waters</i>	<i>Name of Authority</i>	<i>Sch</i>
Lake Nagambie		
Green Lake-Wimmera	Horsham Rural City Council	78
Green Lake-Wycheproof	Buloke Shire Council	72
Greens Lake-Corop	Goulburn-Murray Water	60
Green Hill Lake	Rural City of Ararat	54
Gunbower Creek	Gannawarra Shire Council	73
Hamilton-Lake	Southern Grampians Shire Council	38
Hattah-Kulkyne National Park-All Waters	Dept. of Natural Resources and Environment	80
Hazelwood Cooling Pond	Hazelwood Power Corporation Ltd	110
Heron-Lake	Melbourne Water	122
Heywoods Lake	Dept. of Natural Resources and Environment	81
Hindmarsh-Lake	Hindmarsh Shire Council	61
Hollands Lake	Northern Grampians Shire Council	59
Hopkins River	Warrnambool City Council	22
Horde-Lake	Dept. of Natural Resources and Environment	18
Hume-Lake	Goulburn-Murray Water	95
Ibis-Lake	Melbourne Water	122
Junction Dam at Bogong	Southern Hydro Ltd	98
Kangaroo Lake	Gannawarra Shire Council	140
Kerferd-Lake	Indigo Shire Council	102
Kiewa Hydro Electric Scheme Waters	Southern Hydro Ltd	98
Kingfish-Lake	Melbourne Water	122
Kings Billabong Wildlife Reserve-All Waters	Dept. of Natural Resources and Environment	84
Korweinguboorra Reservoir	Barwon Region Water Authority	8
Laanecoorie Reservoir	Goulburn-Murray Water	65
Lake Connemara Wildlife Reserve All Waters	Dept. of Natural Resources and Environment	131
Laverton Creek	Melbourne Water	124
Learmonth-Lake	Ballarat City Council	64
Linlithgow-Lake and Bullrush Swamp	Southern Grampians Shire Council	36
Loddon River	Loddon Shire Council	63
Loddon River-at Bridgewater	The Committee of Management for the Bridgewater on Loddon Public Park Reserve Inc.	62
Londsdale-Lake	Northern Grampians Shire Council	71
Lorne-Port	Lorne Foreshore Committee of Management Inc.	19

---

*Notice No. 1 Under S. 15(2) Marine Act 1988*

<i><b>Waters</b></i>	<i><b>Name of Authority</b></i>	<i><b>Sch</b></i>
Lower Stoney Creek Reservoirs	Barwon Region Water Authority	8
Lysterfield-Lake	Dept. of Natural Resources and Environment	6
Mallacoota-Port	Gippsland Ports Committee of Management Inc.	109
Malseeds Lake	Dept. of Natural Resources and Environment	29
Maribyrnong-River	Parks Victoria	4
Meering (Meran)-Lake	Gannawarra Shire Council	137
Melbourne-Port	The Port of Melbourne Authority	2
Merri River	Warrnambool City Council	23
Middle and Reedy Lakes	Goulburn-Murray Water	46
Mitta Mitta River	Mitta Mitta River Improvement Trust	117
Modewarre-Lake	Surf Coast Shire Council	33
Mokoan-Lake	Goulburn-Murray Water	87
Monebeong-Lake	Dept. of Natural Resources and Environment	28
Moodemere-Lake	Committee of Management for Lake Moodemere Public Purposes Reserve Inc.	129
Mount Beauty Regulating Pondage	Southern Hydro Ltd	98
Mulwala-Lake	Goulburn-Murray Water	86
Nagambie-Lake	Strathbogie Shire Council	91
Narracan-Lake	La Trobe Shire Council	130
Nhill Lake	Nhill Lake Committee of Management Inc.	147
Nillahcootie-Lake	Goulburn-Murray Water	97
Northern Grampians-All Waters within Shire	Northern Grampians Shire Council	59
Ovens River	Goulburn-Murray Water	86
Painkalac Creek	Surf Coast Shire Council	14
Pine Lake	Wimmera Mallee Rural Water Authority	142
Port Albert-Port	Gippsland Ports Committee of Management Inc.	132
Port Fairy-Port	Moyne Shire Council	20
Port Phillip/Corio Bay	Parks Victoria	1
Powell-Lake	Dept. of Natural Resources and Environment	83
Pretty Valley Dam	Southern Hydro Ltd	98
Purrumbete-Lake	The Lake Purrumbete Foreshore Committee of Management Inc.	35
Pykes Creek Reservoir	Gippsland and Southern Water Authority	41
Queenscliff-Port	The Port of Geelong Authority	9
Reeve-Lake	Dept. of Natural Resources and Environment	106
Roadknight-Point	State Waters	136
Rocklands Reservoir	Wimmera Mallee Rural Water Authority	44
Rocky Valley Dam	Southern Hydro Ltd	98

## Notice Under Reg. 800(3) Marine (Fees) Regulations 1988

<i>Waters</i>	<i>Name of Authority</i>	<i>Sch</i>
Royston Dam	Southern Hydro Ltd	98
Rubicon Falls Dam	Southern Hydro Ltd	98
Rubicon Hydro Electric Scheme Waters	Southern Hydro Ltd	98
Sambell-Lake	Indigo Shire Council	149
St. Arnaud Reservoir	The Council of the Town of St. Arnaud	56
St. George-Lake	St George's Lake Scenic Resource Committee of Management Inc.	125
Shallow Inlet	State Waters	103
Shelduck-Lake	Melbourne Water	122
Skeleton Creek	Melbourne Water	123
Snowy River-Port	Wimmera Mallee Rural Water Authority	107
South Barwon (Adjacent Waters)	State Waters	11
Spoonbill-Lake	Melbourne Water	122
Surprise-Lake	Dept. of Natural Resources and Environment	39
Surrey River	The Committee of Management of Narrawong Camping and Recreation Reserve Corporation;	26, 27
	Dept. of Natural Resources and Environment	
Swan Lake	Dept. of Natural Resources and Environment	30
Tamboon Inlet	Dept. of Natural Resources and Environment	108
Taylor's Lake (Keilor)	Melbourne Water	122
Taylor's Lake (Horsham)	Wimmera Mallee Rural Water Authority	143
Teddington Reservoir No. 1	Dept. of Natural Resources and Environment	57
Teddington Reservoir No. 2	Northern Grampians Shire Council	58
Tooliorook-Lake	Corangamite Shire Council	34
Toolondo-Lake	Horsham Rural City Council	144
Tyers-Lake	East Gippsland Shire Council	105
Urquharts Bluff	State Waters	15
Upper Stony Creek Reservoir	Barwon Region Water Authority	8
Victoria-Lake	Central Goldfields Shire Council	51
Victoria Park Lake	Greater Shepparton City Council	126
Volcano Storage	Northern Grampians Shire Council	55
Wallace-Lake	The Lake Wallace Foreshore Reserve Committee of Management Inc.	66
Walkers-Lake	Northern Grampians Shire Council	59
Waranga-Basin	Goulburn-Murray Water	85
Warrnambool (Lady Bay)	State Waters	148
Wartook-Lake	Wimmera Mallee Rural Water Authority	47
Wathe Wildlife Reserve-All Waters	Dept. of Natural Resources and Environment	76

*Notice No. 1 Under S. 15(2) Marine Act 1988*

---

<i><b>Waters</b></i>	<i><b>Name of Authority</b></i>	<i><b>Sch</b></i>
Weeroona-Lake	Greater Bendigo City Council	48
Wendouree-Lake	Ballarat City Council	42
West Barwon Dam	Barwon Region Water Authority	8
Western Port-Port	Parks Victoria	5
William Hovell-Lake	Goulburn-Murray Water	92
Wilson's Promontory National Park-All Waters	Dept. of Natural Resources and Environment	112
Wimmera River-Dimboola	Hindmarsh Shire Council	68
Wimmera River-Horsham	Horsham Rural City Council	69
Wooroonook-Lakes	Buloke Shire Council	133
Wyperfeld National Park	Dept. of Natural Resources and Environment	77
Yarra River	Parks Victoria	3
Yarriambiack Creek	Yarriambiack Shire Council	67

---

**SCHEDULE 1**  
**WATERS-THE DESIGNATED PORT OF PORT PHILLIP**

*Local Authority - Parks Victoria*

1. Excluded speed limit for the purposes of Clause 4(a).

The following waters of the Schedule are exempt from Clause 4(a):

- (a) waters described in Item 2 – access lanes;
- (b) waters described in Item 6(c) – personal water craft zone.

2. Access lanes for the purposes of Clause 5

The waters of the Port of Port Phillip described below are access lanes:

- (a) An area between two lines extending to seaward, each line passing through a separate set of beacons the two sets of beacons being situated on the foreshore approximately 140 metres apart at Apex Reserve, Altona;
  - (b) An area between two lines extending to seaward, one line passing through a set of beacons on the foreshore near the seaward end of Martin Street and the other line passing through another set of beacons on the foreshore between North Road and Kent Avenue, in the Bayside City Council;
  - (c) An area between two lines extending to seaward, one line passing through a set of beacons on the foreshore near the prolongation to seaward of Mundy Street and the other line passing through another set of beacons situated on the foreshore approximately 180 metres east of the Beaumaris Motor Yacht Squadron building, in the Kingston City Council;
  - (d) An area between two lines extending to seaward, each line passing through a separate set of beacons, the two sets of beacons being situated on the foreshore approximately 120 metres apart, south of the prolongation to seaward of The Glade, Kingston City Council;
  - (e) An area between two lines extending to seaward, each line passing through a separate set of beacons, the two sets of beacons being situated on the foreshore approximately 120 metres apart, immediately south of the Riviera Outfall drain, Seaford;
  - (f) An area between two lines extending to seaward, each line passing through a separate set of beacons, the two sets of beacons being situated on the foreshore approximately 90 metres apart, at Mills Beach, Mornington;
  - (g) An area between two lines extending to seaward, each line passing through a separate set of beacons, the two sets of beacons being situated on the foreshore approximately 90 metres apart, at Mount Martha Beach north of Balcombe Creek;
  - (h) An area between two lines extending to seaward, each line passing through a separate set of beacons, the two sets of beacons being situated on the foreshore approximately 140 metres apart, near Victoria Street, Safety Beach;
  - (i) An area between two lines extending to seaward, each line passing through a separate set of beacons, the two sets of beacons being situated on the foreshore approximately 140 metres apart at the locality known as the Rocks, Dromana West;
  - (j) An area between two lines extending to seaward, each line passing through a separate set of beacons, the two sets of beacons being situated on the foreshore approximately 90 metres apart, near Laura Street, Rye;
  - (k) An area between two lines extending to seaward, each passing through a separate set of beacons, the two sets of beacons being situated on the foreshore
-



---

*Notice No. 1 Under S. 15(2) Marine Act 1988*

---

- approximately 60 metres apart commencing from a point approximately 580 metres west of Sproat Street, Portarlington, City of Greater Geelong;
- (l) An area between two lines extending to seaward, one line passing through a set of beacons on the foreshore approximately 310 metres north-westward of Point George and the other line passing through another set of beacons approximately 450 metres north-westward of Point George; Greater Geelong City Council;
  - (m) An area between two lines extending to seaward, each line passing through a separate set of beacons, the two sets of beacons being situated on the foreshore approximately 140 metres apart opposite the southern end of the salt lake, St. Leonards.

*Distance of Extension of Access Lanes*

Access lanes on the waters of the Port of Port Phillip extend 200 metres from the edge of the water, except that in the case of item 2(i) and (j) above, the access lanes extend 760 metres from the edge of the water.

3. 5 knot speed restriction zones for the purposes of Clause 7.

Unless otherwise specified in an item in this Schedule as an access lane under Clause 5 or as an exclusive use and special purpose area under Clause 13 of this notice, the following waters of Port Phillip are subject to a speed restriction of 5 knots:

- (a) The waters between the shore from Dromana Pier to the Blairgowrie Yacht Squadron slipway and a line commencing at the north-east corner of the Dromana Pier, passing through yellow single pile beacons standing within 760 metres of the low water mark on the foreshore and ending at the north-west corner of the Blairgowrie Yacht Squadron slipway;
- (b) The waters of this Schedule that form the waters-
  - (i) of St. Kilda Harbour southward of a line extending from the north-western end of the stone breakwater to the prolongation to seaward of Fraser Street; and
  - (ii) of Brighton Harbour southward of a line extending from the northern end of the stone breakwater to the prolongation to seaward of Bay Street; and
  - (iii) of Sandringham Harbour southward of a line extending from the northern end of the stone breakwater to the Hampton Lifesaving Club club-house; and
  - (iv) of Half Moon Bay south-eastward of a line extending from Red Bluff to the hulk of the Cerberus; and
  - (v) south-westward of a line extending from the north-east corner of the Mornington Pier to the north-east corner of the Mornington Lifesaving Club clubhouse; and
  - (vi) of the Werribee River, Mordialloc Creek, Patterson River and Kannanook Creek;
- (c) Within 100 metres of the western side of the stone breakwaters forming St. Kilda Harbour, Brighton Harbour and Sandringham Harbour.

4. Areas prohibited to vessels for the purposes of Clause 9.

The following waters of this Schedule are prohibited to vessels:

- (a) The waters bounded by a line commencing at a "No Boating" sign situated on the foreshore near Mount Street, Altona, and extending approximately 240 metres seaward to a yellow buoy or pile; thence by a line extending approximately 200
-

---

*Notice Under Reg. 800(3) Marine (Fees) Regulations 1988*

---

- metres in a westerly direction to a yellow buoy or pile; thence by a line extending northward to a "No Boating" sign on the foreshore;
- (b) The waters bounded by a line commencing at a "No Boating" sign situated on the foreshore near Garden Street, Williamstown, and extending approximately 150 metres seaward to a yellow buoy or pile; thence by a line extending approximately 250 metres in a westerly direction to a yellow buoy or pile; thence by a line extending northward to a "No Boating" sign on the foreshore;
  - (c) The waters bounded by a line commencing at a "No Boating" sign situated on the foreshore south-east of the Sandridge Life Saving Club clubhouse and extending approximately 140 metres seaward to a yellow buoy or pile; thence by a line extending approximately 135 metres in a south-westerly direction to a yellow buoy or pile; thence by a line extending in a north-westerly direction to a "No Boating" sign on the foreshore;
  - (d) The waters bounded by a line commencing at a "No Boating" sign situated on the foreshore south-east of the Port Melbourne Life Saving Club clubhouse and extending approximately 200 metres seaward to a yellow buoy or pile; thence by a line extending approximately 270 metres in a north-westerly direction to a yellow marker on the pier; thence by a line extending in a north-easterly direction to a "No Boating" sign on the foreshore;
  - (e) The waters bounded by a line commencing at a "No Boating" sign situated on the foreshore south-east of the South Melbourne Life Saving Club clubhouse and extending approximately 110 metres seaward to a yellow buoy or pile; thence by a line extending approximately 200 metres in a north-westerly direction to a yellow buoy or pile; thence by a line extending in a north-easterly direction to a "No Boating" sign on the foreshore;
  - (f) The waters bounded by a line commencing at a "No Boating" sign situated on the foreshore near Langridge Street, South Melbourne and extending approximately 120 metres to seaward to a yellow buoy or pile thence by a line extending in a north-westerly direction to a yellow buoy or pile and thence north-easterly to a sign on the foreshore west of the Middle Park Life Saving Club;
  - (g) The waters bounded by a line commencing at a "No Boating" sign situated on the foreshore near the St. Kilda Life Saving Club clubhouse and extending approximately 170 metres seaward to a yellow buoy or pile; thence by a line extending approximately 300 metres in a northerly direction to a yellow buoy or pile; thence by a line extending northerly to the seaward end of the groyne immediately south of the St. Kilda Pier; thence by a line extending eastward to a "No Boating" sign on the foreshore;
  - (h) The waters bounded by a line commencing at a "No Boating" sign situated on the foreshore near the Elwood Life Saving Club clubhouse and extending approximately 150 metres seaward to a yellow buoy or pile; thence by a line extending approximately 200 metres in a south-easterly direction to a yellow buoy or pile; thence by a line extending in a north-easterly direction to a "No Boating" sign on the foreshore;
  - (i) The waters bounded by a line commencing at a "No Boating" sign situated on the foreshore near the Brighton Life Saving Club clubhouse and extending approximately 120 metres seaward to a yellow buoy or pile; thence by a line
-

---

*Notice No. 1 Under S. 15(2) Marine Act 1988*

---

- extending approximately 270 metres in a south-easterly direction to a yellow buoy or pile; thence by a line extending eastward to a "No Boating" sign on the foreshore;
- (j) The waters bounded by a line commencing at a "No Boating" sign situated on the foreshore near the Sandringham Lifesaving Club clubhouse and extending approximately 140 metres seaward to a yellow buoy or pile; thence by a line extending approximately 500 metres in a north-westerly direction to a yellow buoy or pile; thence by a line extending eastwards to a "No Boating" sign on the foreshore;
- (k) The waters bounded by a line commencing at a "No Boating" sign situated on the foreshore north of Half Moon Bay Lifesaving Club clubhouse and extending approximately 90 metres to seaward to a yellow buoy or pile; thence by a line extending approximately 200 metres in a northerly direction to a yellow buoy or pile; thence by a line extending easterly to a "No Boating" sign on the foreshore;
- (l) The waters bounded by a line commencing at a "No Boating" sign situated on the foreshore north of Black Rock Lifesaving Club clubhouse and extending approximately 130 metres seaward to a yellow buoy or pile; thence by a line extending approximately 230 metres in a south-easterly direction to a yellow buoy or pile; thence by a line extending north-easterly to a "No Boating" sign on the foreshore;
- (m) The waters bounded by a line commencing at a "No Boating" sign situated on the foreshore approximately 30 metres west of the Beaumaris Life Saving Club and extending approximately 150 metres to seaward to a yellow buoy or pile thence by a line extending approximately 400 metres in an easterly direction to a yellow buoy or pile, thence by a line extending in a northerly direction to a "No Boating" sign on the foreshore;
- (n) The waters bounded by a line commencing at a "No Boating" sign situated on the foreshore near Kitchener Street, Mentone and extending approximately 150 metres seaward to a yellow buoy or pile; thence by a line extending approximately 280 metres in a north-westerly direction to a yellow buoy or pile; thence by a line extending north-easterly to a "No Boating" sign on the foreshore;
- (o) The waters bounded by a line commencing at a "No Boating" sign situated on the foreshore approximately 50 metres South East of the Parkdale Life Saving Club clubhouse and extending approximately 80 metres to seaward to a yellow buoy or pile thence by a line extending approximately 100 metres in a south-easterly direction to a yellow buoy or pile, thence by a line extending north easterly to a "No Boating" sign on the foreshore at the extension of Herbert Street;
- (p) The waters bounded by a line commencing at a "No Boating" sign situated on the foreshore near the Mordialloc Life Saving Club clubhouse and extending approximately 170 metres seaward to a yellow buoy or pile; thence by a line extending approximately 300 metres in a north-westerly direction to a yellow buoy or pile; thence by a line extending north-easterly to a "No Boating" sign on the foreshore;
- (q) The waters bounded by a line commencing at a "No Boating" sign situated on the foreshore near Foster Street, Aspendale and extending approximately 170 metres seaward to a yellow buoy or pile; thence by a line extending approximately 350 metres in a south-easterly direction to a yellow buoy or pile; thence by a line
-

---

*Notice Under Reg. 800(3) Marine (Fees) Regulations 1988*

---

- extending north-easterly to a "No Boating" sign on the foreshore;
- (r) The waters bounded by a line commencing at a "No Boating" sign situated on the foreshore near Avondale Avenue, Chelsea, and extending approximately 170 metres seaward to a yellow buoy or pile; thence by a line extending approximately 270 metres in a south-easterly direction to a yellow buoy or pile; thence by a line extending eastwards to a "No Boating" sign on the foreshore;
  - (s) The waters bounded by a line commencing at a "No Boating" sign situated on the foreshore near Williams Grove, Bonbeach and extending approximately 170 metres seaward to a yellow buoy or pile; thence by a line extending approximately 250 metres in a southerly direction to a yellow buoy or pile; thence by a line extending eastwards to a "No Boating" sign on the foreshore;
  - (t) The waters bounded by a line commencing at a "No Boating" sign situated on the foreshore at the Carrum Life Saving Club clubhouse and extending approximately 170 metres seaward to a yellow buoy or pile; thence by a line extending approximately 270 metres in a southerly direction to a yellow buoy or pile; thence by a line extending eastwards to a "No Boating" sign on the foreshore;
  - (u) The waters bounded by a line commencing at a "No Boating" sign situated on the foreshore near Wells Street, Frankston and extending approximately 170 metres seaward to a yellow buoy or pile; thence by a line extending approximately 160 metres in a southerly direction to a yellow buoy or pile; thence by a line extending eastwards to a "No Boating" sign on the foreshore;
  - (v) The waters bounded by a line commencing at a "No Boating" sign situated on the foreshore north-east of Mornington Life Saving Club clubhouse at Mills Beach and extending approximately 150 metres to seaward in a north-westerly direction to a yellow buoy or pile thence by a line extending south-westwards to a "No Boating" sign on the foreshore;
  - (w) The waters bounded by a line commencing at a "No Boating" sign situated on the foreshore near Williams Road, Mornington and extending approximately 180 metres seaward to a yellow buoy or pile; thence by a line extending approximately 170 metres in a northerly direction to a yellow buoy or pile; thence by a line extending eastwards to a "No Boating" sign on the foreshore;
  - (x) The waters bounded by a line commencing at a "No Boating" sign situated on the foreshore near Dominion Road, Mt Martha and extending approximately 130 metres seaward to a yellow buoy or pile; thence by a line extending approximately 150 metres in a southerly direction to a yellow buoy or pile; thence by a line extending eastwards to a "No Boating" sign on the foreshore;
  - (y) The waters bounded by a line commencing at a "No Boating" sign situated on the foreshore north of Balmoral Avenue, Safety Beach and extending approximately 170 metres seaward to a yellow buoy or pile; thence by a line extending approximately 220 metres in a south-westerly direction to a yellow buoy or pile; thence by a line extending south-easterly to a "No Boating" sign on the foreshore;
  - (z) The waters bounded by a line commencing at a "No Boating" sign situated on the foreshore north of St. Leonards Jetty and extending approximately 120 metres seaward to a yellow buoy or pile; thence by a line extending approximately 300 metres in a north-westerly direction to a yellow buoy or pile; thence by a line extending south-westerly to a "No Boating" sign on the foreshore;
-

---

*Notice No. 1 Under S. 15(2) Marine Act 1988*

---

- (za) The waters bounded by a line commencing at a "No Boating" sign situated on the foreshore near Pigdon Street, Indented Head and extending approximately 120 metres seaward to a yellow buoy or pile; thence by a line extending approximately 300 metres in a south-easterly direction to a yellow buoy or pile; thence by a line extending south-westerly to a "No Boating" sign on the foreshore;
- (zb) The waters bounded by a line commencing at a "No Boating" sign situated on the foreshore west of Portarlington Jetty and extending approximately 100 metres seaward to a yellow buoy or pile; thence by a line extending approximately 300 metres in a westerly direction to a yellow buoy or pile; thence by a line extending southwards to a "No Boating" sign on the foreshore.

5. Prohibition of specific activities of the purposes of Clause 12.

- (a) The following waters of this Schedule are prohibited for the use of personal water craft and sailboards:
    - (i) The waters extending from the waters edge to 200 metres seaward between the northern boundary of the "Boating Only" Zone described in Item 6(b) and an extension of the alignment of Pickles Street, South Melbourne;
  - (b) The following waters of this Schedule are prohibited for the use of personal water craft:
    - (i) The waters extending from the waters edge to 200 metres seaward between the southern boundary of the ANo Boating Zone $\equiv$  near the St Kilda Life Saving Club as described in item 4.(g) of this Schedule and Brooks Jetty.
    - (ii) The waters extending from the waters edge to 200 metres seaward between the southern boundary of the man made rock groyne at Point Ormond and the ANo Boating Zone $\equiv$  near the Elwood Life Saving Club as described in item 4.(h) of this Schedule.
    - (iii) The waters extending from the waters edge to 200 metres to seaward between an extension of Royal Parade, Sandringham, to the northern boundary of the ANo Boating Zone $\equiv$  opposite the Half Moon Bay Life Saving Club and between Black Rock Point, Half Moon Bay, and an extension of the alignment of Second Avenue, Black Rock.
    - (iv) The waters extending from the waters edge to 200 metres seaward between a position on the foreshore on an extension of the alignment of Bay Street, Mordialloc and an extension to seaward of the alignment of the "No Boating" Zone near the Mordialloc Life Saving Club described in Item 4(p)
    - (v) The waters extending from the waters edge to 200 metres seaward between an extension to seaward of the alignments of Sproat Street and Brown Street, Portarlington.
    - (vi) The waters extending westward of the personal water craft exclusive zone defined in sub-item 6(c) inshore of a line extending between the red and yellow striped buoy at the South West corner of the aforementioned personal water craft exclusive zone, the steel tide gauge situated at the seaward end of the Werribee River approach channel and a sign on the western spit of the Werribee River mouth, and within the River from the River mouth to personal water craft prohibition signs on each bank 600 metres upstream of the public jetty, are prohibited for the use of personal water craft.
  - (c) The following waters of this Schedule are prohibited for the use of sailboards:
-

- (i) The waters extending from the waters edge to seaward between the northern boundary of the "Sailboard Exclusive Use" zone described in item 6(d) and the alignment of the Frankston Jetty, Frankston. The seaward boundary of the zone is delineated by a line between the seaward end of the Frankston jetty and the north-west corner of the "Sailboard Exclusive Use" zone;
6. Exclusive use and special purpose areas for the purposes of Clause 13.
- (a) The following waters of this Schedule are set aside for the use of vessels only and are subject to a speed restriction of 5 knots:
- (i) The waters bounded by a line commencing at the seaward end of Mordialloc Pier and following the south eastern side of such pier and the retaining wall along the northern bank of the creek to a line joining opposite banks of the creek at a position 30 metres upstream from the eastern alignment of the road bridge crossing such creek; thence by a line crossing such creek; thence by a line following the southern bank of the creek to the seaward end of the rock groyne at the mouth; thence by a line following the prolongation of such groyne to seaward to a position opposite the seaward end of Mordialloc Pier; thence to the point of commencement;
- (ii) The waters from a north-south line joining opposite banks of the Patterson River 30 metres upstream from the eastern alignment of the railway bridge crossing such river; thence by lines following the northern and southern banks of the river and the prolongations thereof to seaward into Port Phillip Bay to a position 100 metres from shore; thence by a north-south line joining such prolongations.
- (b) Between sunrise and sunset the following waters of this Schedule are set aside for the exclusive use of vessels:  
The waters extending from the waters edge to a distance of 200 metres to seaward between two lines extending in an approximate south-westerly direction. The alignment of each line is marked by a "Boating Only" sign on the foreshore and red and yellow striped buoys in the water. The southern sign is positioned on the approximate extension of the alignment of Fraser Street and the northern sign on the approximate extension of the alignment of Langridge Street, South Melbourne.
- (c) Between sunrise and sunset the following waters of this Schedule are set aside for the exclusive use of personal water craft.
- (i) The water extending from the water edge to a distance of 200 metres to seaward between two lines extending to seaward. The alignment of each line is marked by a "personal water craft Only" sign on the foreshore and red and yellow striped buoys in the water. The two "personal water craft Only" signs are positioned approximately 150 metres west and 250 metres east of the boat ramp located between O'Connors Road and Duncans Road, Werribee South.
- (d) Between sunrise and sunset the following waters of this Schedule are set aside for the exclusive use of sailboards:  
The waters extending from the waters edge to a distance of 200 metres to seaward between two lines extending to seaward. The alignment of each line is marked by a "Sailboards Only" Sign on the foreshore and buoys in the water. The two "Sailboards Only" signs are positioned approximately 300 metres and 400 metres
-

**Notice No. 1 Under S. 15(2) Marine Act 1988**

---

north-east of Olivers Hill boat ramp, Frankston. The southern boundary buoys are red and yellow striped and the northern boundary buoys yellow.

- (e) Patterson River entrance-control of vessels.

A person in charge of a vessel in the waters of the Patterson River downstream of the Nepean Highway road bridge crossing the river, must not-

- (i) anchor or moor the vessel; or
- (ii) beach the vessel on either bank between the road bridge and the river entrance except for the purpose of rigging or unrigging masts in the minimum time necessary prior to or subsequent to proceeding under the Patterson River bridges-

unless prior permission has been obtained from an officer authorised by Melbourne Parks and Waterways or unless compelled by an emergency.

7. Revocation of amending item.

Unless Parks Victoria recommends the continuation of item 2.(k) the rule in item 2.(k) is revoked 6 months after the date of publication in the Government Gazette and the rules made in Notice No. 1 and published in the Government Gazette G19 on 20 May 1993 are reinstated.

**SCHEDULE 2 (Revoked)**

**SCHEDULE 3**

**WATERS-THE YARRA RIVER UPSTREAM OF THE CHARLES GRIMES BRIDGE**

*Local Authority - Parks Victoria*

1. 5 knot speed restriction zone for the purposes of Clause 7.

The waters of the Yarra River upstream of Spencer Street Bridge are subject to a speed restriction of 5 knots.

**SCHEDULE 4**

**WATERS-THE MARIBYRNONG RIVER UPSTREAM OF SHEPHERDS BRIDGE ON FOOTSCRAY ROAD**

*Local Authority - Parks Victoria*

1. 5 knot speed restriction zone for the purposes of Clause 7.

The waters of the Maribyrnong River upstream of Shepherds Bridge on Footscray Road are subject to a speed restriction of 5 knots.

**SCHEDULE 5**

**WATERS-THE DESIGNATED PORT OF WESTERN PORT**

*Local Authority - Parks Victoria*

1. Excluded speed limit for the purposes of Clause 4(a).

Those waters of the Port of Western Port which are not otherwise specified as a 5 knot speed restriction zone, access lane, an area prohibited to vessels, or exclusive use area are excluded from the provisions of Clause 4(a) of this notice.

2. Access lanes for the purposes of Clause 5.

The following waters of the Port of Western Port are access lanes:

- (a) The waters between two lines extending to seaward, one line passing through a set of beacons on the foreshore near the prolongation to seaward of Coughlans Road, Cowes and the other line passing through a set of beacons on the foreshore
-

---

*Notice Under Reg. 800(3) Marine (Fees) Regulations 1988*

---

approximately 140 metres westward of that prolongation;

- (b) The waters between two lines extending to seaward, one line passing through a set of beacons on the foreshore near the mouth of Saltwater Creek, Ventnor and the other line passing through a set of beacons on the foreshore approximately 140 metres north-eastward of the mouth of that creek.

3. 5 knot speed restriction zones for the purposes of Clause 7.

The following waters of the Port of Western Port are subject to a speed restriction of 5 knots:

- (a) The waters within 200 metres to seaward from the edge of the water for the time being between-
- (i) two lines extending to seaward at right angles to the shores, one line extending from a beacon on the foreshore at the northern boundary of the West Head firing range and the other line extending from a similar beacon on the foreshore at the prolongation to seaward of South Beach Road, Somers;
  - (ii) two lines extending to seaward at right angles to the shores, one line extending from a beacon on the foreshore approximately 60 metres north of the Lang Lang boat ramp and the other line extending from a similar beacon on the foreshore at Bluff Point;
  - (iii) two lines extending to seaward at right angles to the shore, one line extending from a beacon near the prolongation to seaward of Norseman's Road and the other line extending from a similar beacon on the foreshore near the prolongation to seaward of Cutty Sark Road, Coronet Bay;
  - (iv) two lines extending to seaward at right angles to the shore, one line extending from the navigation light beacon at McHaffies Point, Ventnor, and the other line extending from a beacon on the foreshore near the northern prolongation of the boundary between Crown Allotment 94A and the 102nd S.E.C. Reserve;
  - (v) two lines extending to seaward at right angles to the shore, one line extending from a beacon on the foreshore near the seaward end of Reid Road, Rhyll, and the other line extending from a similar beacon on the foreshore near the seaward end of Zelma Drive, Rhyll;
  - (vi) two lines extending to seaward at right angles to the shore, one line extending from a beacon on the foreshore near the seaward end of Boys Home Road, Newhaven, and the other line extending from a similar beacon on the foreshore approximately 250 metres south of the seaward end of Cottlesloe Road in the area known as Woolamai Waters.
- (b) The waters of Rutherford Inlet between-
- (i) a line joining speed limit notices on opposite shores approximately 800 metres south of Warneet South Jetty; and
  - (ii) a line joining speed limit notices on opposite shores approximately 450 metres east of the overhead electric power cables running north and south over Rutherford Inlet between the townships of Warneet and Cannons Creek- but excluding those waters of Rutherford Inlet, locally known as Tommy's Inlet, which are delineated by a line joining speed limit notices on opposite shores at the entrance to Tommy's Inlet, the easternmost of which is in a position approximately 900 metres north of the navigation light on the seaward end of Warneet South Jetty;
- (c) The waters of Sawtell's Inlet upstream from a line joining speed limit notices on
-



- opposite shores at the entrance to such inlet;
- (d) The waters of Hastings Bight north of a line extending south-westerly from a white survey beacon on Long Island Point to a beacon with a red triangular topmark on the foreshore approximately 1000 metres south of Hastings jetty;
  - (e) The waters of Rhyll Inlet west of a line extending northward from a sign on the foreshore near the northern prolongation of McIlwraith Road Rhyll to a similar sign on Observation Point.

4. Areas prohibited to vessels for the purposes of Clause 9.

The waters of the Port of Western Port inshore of a line commencing at a beacon with a red triangular topmark on Erehwon Point, Phillip Island, thence north-westerly to a sign inscribed "No Boating" on Cowes Jetty approximately 70 metres from its root; thence along the eastern side of that jetty to the shore are prohibited to vessels.

5. Areas where vessels with engines are prohibited for the purposes of Clause 10.

The following waters of the Port of Western Port are prohibited to vessels with engines used for propulsion:

- (a) At Rutherford Inlet inshore of a line commencing at a point on the southern end of the masonry seawall approximately 94 metres south-west of the intersection of the south side of the Warneet North Jetty with the shore; thence north-easterly for approximately 97 metres to a red post on that jetty; thence easterly for approximately 53 metres to a red post survey mark; thence south-easterly to a red post on the shore;
- (b) At Rutherford Inlet inshore of a line commencing at the navigation lightpost adjacent to the Warneet Motor Yacht Club clubhouse; thence southerly for approximately 100 metres to a red post on the Warneet South Jetty; thence along the north side of that jetty to the shore.

6. Prohibition of specific activities for the purposes of Clause 12.

The waters of Western Port that extend 200 metres from the waters edge seaward between Surfies Point and Honeysuckle Point, Shoreham are prohibited for the use of personal water craft.

7. Exclusive use and special purpose areas for the purposes of Clause 13.

The following waters of the Port of Western Port are set aside for vessels only:

At Rutherford Inlet inshore of a line commencing at the intersection of the north side of the Warneet South Jetty with the shore; thence along the north side of that jetty to a red post; thence south-easterly for approximately 130 metres to a red post on the shore.

## SCHEDULE 6

### WATERS-LAKE LYSTERFIELD

*Local Authority-Secretary, Department of Natural Resources and Environment*

1. Vessels with engines prohibited for the purposes of Clause 10.

All of the waters of Lake Lysterfield are prohibited to vessels with engines.

## SCHEDULE 7

### WATERS-THE BARWON RIVER (BETWEEN THE LOWER BREAKWATER AND ORANA ROAD)

---

*Local Authority-Barwon Region Water Authority*

1. Excluded speed limit for the purposes of Clause 3(a).

Those waters of the Barwon River not otherwise subject to a speed restriction, prohibition or otherwise designated for specific or exclusive use under this Schedule are not subject to the requirements of Clause 3(a) of this notice.

2. 5 knot speed restriction zone for the purposes of Clause 7.

Those waters of the Barwon River between-

- (a) an imaginary line joining two signs headed "Speed Limit 5 Knots" situated on opposite banks of the river where the southerly prolongation of the centre line of Coppards Road intersects the respective banks; and
- (b) the structure known as the Lower Breakwater situated on the river approximately 107 metres upstream of the Parish of Connewarre eastern boundary-

are subject to a speed restriction of 5 knots.

3. 35 knot speed restriction zone for the purposes of Clause 7.

Those waters of the Barwon River not subject to Item 2 of this schedule or which are not otherwise prescribed as prohibited under Clause 10 or designated as exclusive use Zones under Clause 13 are subject to a speed restriction of 35 knots.

4. Areas where vessels with engines are prohibited for the purposes of Clause 10.

The following waters of the Barwon River are prohibited to vessels with engines.

Those waters of the Barwon River which lie-

- (a) between-
    - (i) an imaginary line joining two signs headed "Rowing Zone-Power Boat Zone" situated on opposite banks of the river at the eastern side of the Princes Bridge; and
    - (ii) an imaginary line joining two signs stating "Motor Boats Prohibited" situated on opposite banks of the river where the common boundaries of the City of South Barwon and the Shire of Barrabool in the Parish of Barrabool intersect the respective banks;
  - (b) between-
    - (i) an imaginary line joining two signs headed "Motor Boats Prohibited" situated on Opposite banks of the river, which line is approximately 43 metres east of the eastern boundary of Crown Allotment 2, Section 1, Parish of Connewarre; and
    - (ii) a imaginary line joining two other similar signs situated on opposite banks of the river where the southerly prolongation of the centre line of Breakwater Road intersects the respective banks;
  - (c) between-
    - (i) an imaginary line joining two signs headed "Rowing Zone-Power Boat Zone" situated on opposite banks of the river at the eastern side of the Princes Bridge; and
    - (ii) an imaginary line from a similar sign situated on the north bank of the river approximately 115 metres west of the western boundary of Swanston Street south-westerly approximately 26 metres to a line of orange buoys thence westerly approximately 410 metres through a line of orange buoys, thence southerly approximately 22 metres through a line of orange buoys to a similar sign situated approximately 10 metres west of the boat ramp on the
-

south side of the river-

other than on a Sunday between the hours of midday and sunset and between Christmas Day and the following New Year's Day or any public holiday gazetted in substitution for that New Year's Day (both days inclusive);

- (d) despite (a), (b) and (c) above the use of any vessel with an engine used for propulsion at a speed of not more than five knots which is used solely for the purpose of coaching rowing crews on the river is permitted.

5. Prohibition of specific activities for the purpose of Clause 12.

No vessel of more than 6 metres in length and two and one half metres in beam is permitted on the Barwon River.

6. Exclusive use and special purpose areas for the purpose of Clause 13.

- (a) The waters of the Barwon River which are between-

- (i) an imaginary line joining two signs headed "Motor Boats Prohibited" situated on opposite banks of the river, which is approximately 43 metres east of the eastern boundary of Crown Allotment 2, Section 1, Parish of Connewarre; and  
(ii) an imaginary line joining two signs headed "Speed Limit 5 Knots" situated on opposite banks of the river where the southerly prolongation of the centre line of Coppards Road intersects the respective banks-

are set aside for vessels with engines used for propulsion which are engaged in competitive water-skiing or the practising of water-skiing.

- (b) A vessel with an engine used for propulsion of less than 12 kilowatts of developed power may transit the special purpose area but must keep as near to the starboard bank as is practicable.

#### SCHEDULE 8

#### **BOLWARRA WEIR, BOSTOCK RESERVOIR, KORWEINGUBOORA RESERVOIR, LOWER STONY CREEK RESERVOIR, RAILWAY WEIR, SHE OAKS WEIR, UPPER STONY CREEK RESERVOIR, WEST BARWON DAM, WURDEE BULOC RESERVOIR**

*Local Authority-Barwon Region Water Authority*

1. Areas prohibited to vessels for the purposes of clause 9.

The waters of-

- (a) Bolwarra Weir;  
(b) Bostock Reservoir;  
(c) Korweinguboorra Reservoir;  
(d) Lower Stony Creek Reservoir;  
(e) Railway Weir;  
(f) She Oaks Weir;  
(g) Upper Stony Creek Reservoir;  
(h) West Barwon Dam;  
(i) Wurdee Buloc Reservoir -

are prohibited to vessels.

#### SCHEDULE 9 (Revoked)

#### SCHEDULE 10

#### **WATERS-THE DESIGNATED PORT OF BARWON HEADS**

*Local Authority-Barwon Coast Committee of Management Inc.*

1.5 knots speed restriction zone for the purposes of Clause 7.

The waters of the Port of Barwon Heads between:

- (i) a line commencing at the Triangulation Station on Barwon Head (Mount Colite) and extending due north to the opposite shore; and
  - (ii) east of the prolongation of the western boundary of Sheepwash Road-
- are subject to a speed restriction of 5 knots.

**SCHEDULE 11****WATERS-BASS STRAIT-CITY OF SOUTH BARWON***Local Authority-State Waters*

1.5 knot speed restriction zones for the purposes of Clause 7.

The waters of Bass Strait within 200 metres seaward of the low water mark on the foreshore between-

- (i) a beacon with a red triangular topmark situated on the foreshore near the prolongation of Horseshoe Bend Road, Torquay, and
  - (ii) the point known as Rocky Point, Torquay-
- are subject to a speed restriction of 5 knots.

2. Excluded speed limit for the purposes of Clause 4(a).

Those waters specified in Item 3 of this Schedule as exclusive use and special purpose areas for the purposes of Clause 13 are not subject to the requirements of Clause 4(a) of this notice.

3. Areas prohibited to vessels for the purposes of clause 9.

The following waters of Bass Strait adjacent to the Surf Coast Shire Council are prohibited to vessels:

- (a) The waters within 100 metres to seaward of the low water mark on the foreshore between two signs inscribed with the words "No Boating" and situated approximately 200 metres apart between the boat launching ramp and the sewage pumping station at Torquay;
- (b) The waters within 100 metres to seaward of the low water mark on the foreshore between two signs inscribed with the words "No Boating" and situated approximately 400 metres apart, one sign being situated near the easterly prolongation of Bell Street, Torquay, and the other sign being situated near the easterly prolongation of Anderson Street, Torquay;
- (c) The waters within 100 metres to seaward of the low water mark on the foreshore between two signs inscribed with the words "No Boating" and situated approximately 250 metres apart, one sign being situated near the southerly prolongation of Park Lane, Torquay, and the other sign being situated near the public toilet in the vicinity of the Torquay Surf Life Saving Club clubhouse.

4. Exclusive use and special purpose areas for the purposes of Clause 13.

(1) The following waters of the Bass Strait adjacent to the Surf Coast Shire Council are set aside for vessels powered solely by sail only:

- (a) The waters within 200 metres to seaward of the low water mark on the foreshore between two lines passing through separate sets of beacons in line on the foreshore and approximately 100 metres apart near the easterly prolongation of Cowrie Road, Torquay; and
  - (b) The waters within 200 metres to seaward of the low water mark on the foreshore
-

between two lines passing through separate sets of beacons in line on the foreshore, one set being situated near the easterly prolongation of Bell Street, Torquay, and the other set being situated near the southerly prolongation of the Esplanade, at Point Danger, Torquay.

(2) The waters of Bass Strait adjacent to the Surf Coast Shire Council are set aside for vessels with engines used for propulsion only within 200 metres to seaward of the low water mark on the foreshore between two lines passing through separate sets of beacons in line on the foreshore and approximately 150 metres apart to the south of the boat launching ramp at Torquay.

#### **SCHEDULE 12**

##### **WATERS-BLACKBURN LAKE**

*Local Authority-Whitehorse City Council*

1. Areas prohibited to vessels for the purposes of Clause 9.

The whole of the waters of Blackburn Lake are prohibited to vessels.

#### **SCHEDULE 13**

##### **WATERS-THE ANGLESEA RIVER, FROM BASS STRAIT TO COAL MINE ROAD, ANGLESEA**

*Local Authority-Surf Coast Shire Council*

1. 5 knot speed restriction zone for the purposes of Clause 7.

The waters of the Anglesea River between the entrance and the road bridge at Coalmine Road are subject to a speed restriction of 5 knots.

2. Prohibition of specific activities for the purposes of Clause 12.

Sailing vessels of more than 3 metres in length are prohibited on the waters of Anglesea River between the entrance and the bridge at the Great Ocean Road.

3. Exclusive use and special purpose area for the purposes of Clause 13.

The waters of Anglesea River between the bridge at the Great Ocean Road and the bridge at Coalmine Road are set aside for the exclusive use of vessels with an engine used for propulsion or manually propelled vessels subject to the 5 knot speed restriction in Item 1 of this Schedule.

#### **SCHEDULE 14**

##### **WATERS-PAINKALAC CREEK, FROM BASS STRAIT TO BOUNDARY ROAD, AIREYS INLET**

*Local Authority-Surf Coast Shire Council*

1. Areas prohibited to vessels with engines for the purposes of Clause 10.

The waters of the Painkalac Creek between Boundary Road and the entrance are prohibited to vessels with engines used for propulsion.

2. Exclusive use and special purpose areas for the purposes of Clause 13.

The waters of Painkalac Creek between Boundary Road and the entrance are set aside for vessels without engines used for propulsion which are less than 3 metres in length.

#### **SCHEDULE 15**

##### **WATERS-BASS STRAIT-URQUHARTS BLUFF**

*Local Authority-State Waters*

1. Excluded Speed Limit for the purpose of Clause 4(a).

Those waters of Bass Strait that are between Urquharts Bluff and Point Roadknight are not

---

**Notice Under Reg. 800(3) Marine (Fees) Regulations 1988**

---

subject to the requirements of Clause 4(a) of this Notice.

2. 5 knot speed restriction zone for the purposes of Clause 7.

Those waters of Bass Strait that are between the "vessels only zone" and the "vessels prohibited zone" and between the "vessels prohibited zone" and the "personal water craft zone" as specified in this Schedule and extending 200 metres to seaward from the low water mark are subject to a speed restriction of 5 knots.

3. Area prohibited to vessels for the purposes of Clause 9.

Those waters of Bass Strait that are between two lines passing between two separate sets of beacons in line on the foreshore and approximately 50 metres and 250 metres respectively north east of the "vessels only zone" referred to in Item 4(a) of this Schedule and extending 200 metres to seaward from the low water mark are prohibited to vessels.

4. Exclusive use and special purpose areas for the purposes of Clause 13.

- (a) The waters of Bass Strait that are between two lines passing through separate sets of beacons in line on the foreshore and approximately 80 metres apart in front of the public convenience building, Urquharts Bluff and extending 200 metres to seaward from the low water mark are set aside for vessels only.
- (b) Between one hour before sunrise and one hour after sunset, the waters of Bass Strait that are between two lines passing between two separate sets of beacons in line on the foreshore and approximately 300 metres and 600 metres respectively north-east of the "vessels only zone" referred to in Item 4(a) above are set aside for the exclusive use of personal water craft.

5. Prohibition on vessels with engines for the purposes of Clause 10.

Those waters of the Bass Strait at Urquharts Bluff that are between the line passing between the beacons that mark the western limit of the "vessels only" zone and westward to the line passing between two beacons in line on the foreshore and approximately 150 metres distant and extending to seaward from the low water mark to a distance of 200 metres are prohibited for vessels with an engine used for propulsion.

#### **SCHEDULE 16 WATERS-LAKE CRAVEN**

*Local Authority-Secretary, Department of Natural Resources and Environment*

1. 8 knot speed restriction zone for the purposes of Clause 7.

All of the waters of Lake Craven are subject to a speed restriction of 8 knots.

2. Area prohibited to water-skiers for the purposes of Clause 8.

All of the waters of Lake Craven are prohibited to water-skiers and vessels towing water-skiers.

#### **SCHEDULE 17 WATERS-LAKE COSTIN**

*Local Authority-Secretary, Department of Natural Resources and Environment*

1. 8 knot speed restriction zone for the purposes of Clause 7.

All of the waters of Lake Costin are subject to a speed restriction of 8 knots.

2. Area prohibited to water-skiers for the purposes of Clause 8.

All of the waters of Lake Costin are prohibited to water-skiers and vessels towing water-skiers.

#### **SCHEDULE 18**

---

**WATERS-LAKE HORDEN**

*Local Authority-Secretary, Department of Natural Resources and Environment*

1. 8 knot speed restriction zone for the purposes of Clause 7.

All of the waters of Lake Horden are subject to a speed restriction of 8 knots.

2. Area prohibited to water-skiers for the purposes of Clause 8.

All of the waters of Lake Horden are prohibited to water-skiers and vessels towing water-skiers.

**SCHEDULE 19****WATERS-THE DESIGNATED PORT OF LORNE**

*Local Authority-Lorne Foreshore Committee of Management Inc.*

1. Excluded speed limit for the purposes of Clause 4(a).

The speed restriction prescribed in Clause 4(a) of this notice does not apply between the hours of one hour before sunrise and one hour after sunset on any day in the waters of the Port of Lorne within lines running respectively to seaward through two beacons in line situated on the foreshore 60 metres north-westward of Lorne Pier and two beacons in line situated on the foreshore approximately 730 metres north westward of Lorne Pier to the line delineating the seaward boundary of the waters referred to above.

**SCHEDULE 20****WATERS-THE DESIGNATED PORT OF PORT FAIRY**

*Local Authority-Moyne Shire Council*

1. 5 knot speed restriction zones for the purposes of Clause 7.

Those waters of the designated port of Port Fairy that are-

- (a) within 200 metres of the shoreline between-
  - (i) a line to seaward from a beacon on the foreshore situated on the south-easterly prolongation of the northern boundary of Crown Allotment 32, Moyne Shire Council; and
  - (ii) another line at right angles to the shoreline such line passing through the northern end of the stone groyne which adjoins the north mole of the Moyne River.
- (b) between the shoreline and the stone groyne referred to in (a);
- (c) between-
  - (i) a line which extends south-easterly from the eastern end of the north mole of the Moyne River to the eastern end of the south mole of the river; and
  - (ii) a bridge which crosses the river at Griffith Street, Port Fairy-

are subject to a speed restriction of 5 knots.

**SCHEDULE 21****WATERS-GELLIBRAND RIVER (DOWNSTREAM OF THE BRIDGE AT PRINCETOWN)**

*Local Authority-Secretary, Department of Natural Resources and Environment*

1. 8 knot speed restriction zone for the purposes of Clause 7.

All of the waters of the Gellibrand River downstream of the bridge at Princetown are subject to a speed restriction of 8 knots.

2. Area prohibited to water-skiers for the purposes of Clause 8.

All of the waters of the Gellibrand River downstream of the bridge at Princetown are prohibited to water-skiers and vessels towing water-skiers.

---

**SCHEDULE 22****WATERS-HOPKINS RIVER BETWEEN THE SEAWARD OUTLET AND TOORAM STONES***Local Authority-Warrnambool City Council*

1. 10 knot speed restriction zones for the purposes of Clause 7.

The following waters of the Hopkins River are subject to a speed restriction of 10 knots subject to the conditions specified in (2) and (3) below.

(1) The waters of the Hopkins River from the mouth to an imaginary line across the river, being 100 metres south of the prolongation of the centre line of Bostock Street and marked by a beacon erected on each bank of the river.

(2) Between the hours of sunset and 8.00 a.m. on successive days, the waters of the Hopkins river bounded-

(a) by an imaginary line across the River, being 100 metres south of the prolongation of the centre line of Bostock Street and marked by beacons erected on each bank of the river; and

(b) by an imaginary line across the river as marked by beacons erected on each bank of the river approximately 700 metres east of the imaginary line in (a).

(3) Between sunset on any day and 12.00 noon on the following day, the waters of the Hopkins River bounded-

(a) by an imaginary line across the river approximately 700 metres east of the imaginary line in (2)(a) above; and

(b) by an imaginary line from a point on the north bank of the river, known as the One Mile Post, in a direct line to the south bank of the river to a point marked by a beacon erected on the river bank.

(4) The waters of the Hopkins River bounded-

(a) by an imaginary line referred to in (3)(b) above; and

(b) a line marked by the Tooram Stones.

(5) The waters of the Hopkins River, known as a transit lane, extending along the south bank of the river from an imaginary line across the river by 100 metres south of the prolongation of the centre line of Bostock Street to a point directly opposite the One Mile Post and extending into the river for a distance of not more than 30 metres.

2. Prohibition on specific activities for the purposes of Clause 12.

(1) A person must not anchor, moor or cause to be anchored or moored a vessel (except in an emergency) in a transit lane during the periods when there are no speed restrictions in the adjacent areas.

(2) A person must not anchor, moor or cause to be anchored or moored any vessel or obstruction in a waterway other than to the banks or to an object approved by the Hopkins River Authority.

(3) A person must not anchor, moor or cause to be anchored or moored any vessel or obstruction in a waterway within a radius of 25 metres from the centre of any launching ramp.

(4) A person must not anchor, moor or cause to be anchored or moored any obstruction in a waterway floating or otherwise unless by permission in writing given by the Hopkins River Authority.

**SCHEDULE 23****WATERS-THE MERRI RIVER, BETWEEN THE SEAWARD OUTLET AND THE**

---



**BROWNFIELD STREET WEIR***Local Authority-Warrnambool City Council*

1. 5 knot speed restriction zone for the purposes of Clause 7.

Those waters of the Merri River that are between the river mouth and the weir at the northern end of Bromfield Street, Warrnambool are subject to a speed restriction of 5 knots.

2. Water-skiing prohibited for the purposes of Clause 8.

The waters of the Merri River where the 5 knot speed restriction applies are prohibited to water-skiers and vessels towing water-skiers.

**SCHEDULE 24****WATERS-CURDIES RIVER AND CURDIES INLET BETWEEN FRENCH'S BRIDGE AND THE GREAT OCEAN ROAD BRIDGE AT PETERBOROUGH***Local Authority-The Curdies River and Recreation Reserve Committee of Management Inc.*

1. 5 knot speed restriction zones for the purposes of Clause 7.

The following waters of Curdies River and Curdies Inlet are subject to a speed restriction of 5 knots.

(1) The waters of Curdies River-

- (a) which lie between two lines extending between beacons on the opposing banks, one line being located approximately 125 metres upstream and the other approximately 45 metres downstream from Curdievale Bridge; and
- (b) which lie between two lines extending between beacons on the opposing banks, one line being located approximately 1000 metres upstream and the other approximately 1000 metres downstream from the Lodge track.

(2) The waters of Curdies Inlet which lie between the Great Ocean Road Bridge at Peterborough and an east-west line across the Inlet approximately 45 metres northwards of the launching ramp and marked by beacons on the opposing shores and by yellow buoys on the water.

2. Prohibition of water-skiing for the purposes of Clause 8.

The waters of Curdies River between French's Bridge and a line marked by beacons on the opposing bank where the river enters Curdies Inlet are prohibited to water-skiers and vessels towing water-skiers.

3. No wash zone for the purposes of Clause 11.

A person must not operate a vessel at a speed which would cause wash within the 5 knot speed restriction zone of the Curdies River at Curdievale.

4. Exclusive use and special purpose areas for the purposes of Clause 13.

The parts of the waters of Curdies River described below are set aside for vessels with engines used for propulsion and for water skiing-

- (a) Commencing at a line between beacons on opposing banks 125 metres upstream from Curdievale Bridge and extending 1.6 kms upstream therefrom to a line between beacons on the opposing banks;
- (b) Commencing at a line between beacons on opposing banks 45 metres downstream from Curdievale Bridge and extending 1.6 kms downstream therefrom to a line between beacons on the opposing banks.

**SCHEDULE 25****WATERS-FITZROY RIVER***Local Authority-Secretary, Department of Natural Resources and Environment*

1. 5 knot speed restriction zone for the purposes of Clause 7.

---

All of the waters of the Fitzroy River are subject to a speed restriction of 5 knots.

**SCHEDULE 26**

**WATERS-SURREY RIVER (BETWEEN THE SEAWARD OUTLET AND THE PRINCES HIGHWAY BRIDGE)**

*Local Authority-The Committee of Management of Narrawong Camping and Recreation Reserve Corporation*

1. 5 knot speed restriction zone for the purposes of Clause 7.

Those waters of the Surrey River between the Narrawong Camping and Recreation Reserve boat ramp and the Princes Highway Bridge are subject to a speed restriction of 5 knots.

2. Water-skiing prohibited for the purposes of Clause 8.

The waters of the Surrey River between the seaward outlet and the Princes Highway Bridge are prohibited to water-skiers and vessels towing water-skiers.

3. Vessels with engines prohibited for the purposes of Clause 10.

The waters of Surrey River between the seaward outlet and the Narrawong Camping and Recreation Reserve boat ramp are prohibited to vessels with engines used for propulsion.

4. Prohibition of specific activities for the purposes of Clause 12.

The waters of the Surrey River between the seaward outlet and the Princes Highway Bridge are prohibited to personal water craft.

**SCHEDULE 27**

**WATERS-SURREY RIVER  
(UPSTREAM OF THE PRINCES  
HIGHWAY BRIDGE)**

*Local Authority-Secretary, Department of Natural Resources and Environment*

1. 5 knot speed restriction zone for the purposes of Clause 7.

All of the waters within Barmah State Park Browns Swamp are subject to a speed restriction of 5 knots.

**SCHEDULE 28**

**WATERS-LAKE MONEBEONG (LAKE BUNG BUNG)**

*Local Authority-Secretary, Department of Natural Resources and Environment*

1. Vessels with engines prohibited for the purposes of Clause 10.

All of the waters of Lake Monebeong (Lake Bung Bung) are prohibited to vessels with engines used for propulsion.

**SCHEDULE 29**

**WATERS-MALSEEDS LAKE**

*Local Authority-Secretary, Department of Natural Resources and Environment*

1. Vessels with engines prohibited for the purposes of Clause 10.

All of the waters of Malseeds Lake are prohibited to vessels with engines used for propulsion.

**SCHEDULE 30**

**WATERS-SWAN LAKE**

*Local Authority-Secretary, Department of Natural Resources and Environment*

---

1. Vessels with engines prohibited for the purposes of Clause 10.

All of the waters of Swan Lake are prohibited to vessels with engines used for propulsion.

### SCHEDULE 31

#### WATERS-THE GLENELG RIVER WITHIN VICTORIA BETWEEN THE MOUTH AND THE JUNCTION WITH THE CRAWFORD RIVER AT DARTMOOR

*Local Authority-Secretary, Department of Natural Resources and Environment*

##### 1. Interpretation

- (a) For the purposes of this Schedule "**Special Purpose Areas**" means-
- (i) the section of the Glenelg River known as Taylors Straight; and
  - (ii) the section of the Glenelg River known as Sandy Waterholes.
- (b) Each special purpose area is marked by beacons at its extremities.

##### 2. 5 knot speed restriction zone for the purposes of Clause 7.

All of the waters of the Glenelg River upstream of beacons at Wild Dog Bend and downstream of Crawfords River at Dartmoor are subject to a speed restriction of 5 knots.

##### 3. 8 knot speed restriction zone for the purposes of Clause 7.

All of the waters of the Glenelg River downstream of the "Taylors Straight" Special Purpose Area and all waters between "Taylors Straight" and "Sandy Waterholes" Special Purpose Area are subject to a speed restriction of 8 knots.

##### 4. 10 knot speed restriction zone for the purposes of Clause 7.

All of the waters of the Glenelg River upstream of the "Sandy Waterholes" Special Purpose Area and downstream of Wild Dog Bend are subject to a speed restriction of 10 knots.

##### 5. Special purpose area for the purposes of Clause 13.

- (i) Vessels with engines used for propulsion and water-skiing shall only be permitted in the special purpose areas at the following times:
- (a) December, January and February-between 8.00 a.m. to 8.00 p.m. (Summer Time);
  - (b) March-between 8.00 a.m. to 6.00 p.m. (Eastern Standard Time) or between 9.00 a.m. to 7.00 p.m. when Summer Time applies;
  - (c) November-between 9.00 a.m. to 7.00 p.m. (Summer Time);
  - (d) April-between 8.00 a.m. to 6.00 p.m. (Eastern Standard Time);
  - (e) May, August, September, October-between 9.00 a.m. to 6.00 p.m. (Eastern Standard Time);
  - (f) June, July-between 9.00 a.m. to 5.00 p.m. (Eastern Standard Time).
- (ii) Vessels other than those engaged in water-skiing or power boating activities shall be permitted to pass and re-pass through the special purpose areas providing such vessels-
- (a) keep as close as possible to the portside upstream bank of the river when travelling in either direction and at no time during transit exceeding a distance of 15 metres from the portside upstream bank; and
  - (b) proceed as expeditiously as possible during transit through these special purpose areas; and
  - (c) do not stop during transit through the special purpose areas; and
  - (d) do not exceed a speed of 8 knots.
- (iii) Vessels engaged in water-skiing or power boating activities must give way to
-

transit boats operating according to the conditions outlined in (ii) above.

6. Prohibition of Specific Activities for the purposes of Clause 12.

- (i) A person must not operate, anchor, or moor a houseboat on any of the waters of the Glenelg River within Victoria from the mouth of the river to the junction with the Crawford River at Dartmoor.
- (ii) A person must not moor a houseboat to any jetty or structure on any of the waters of the Glenelg River within Victoria from the mouth of the river to the junction with the Crawford River at Dartmoor.

**SCHEDULE 32 (Revoked)**

**SCHEDULE 33 (Revoked)**

**SCHEDULE 34**

**WATERS-LAKE TOOLIROOK**

*Local Authority-Corangamite Shire Council*

1. 5 knot speed restriction zone for the purposes of Clause 7.

Those waters of Lake Tooliorook around the perimeter of the Lake for a distance of 100 metres from the edge of the water are subject to a speed restriction of 5 knots.

**SCHEDULE 35**

**WATERS-LAKE PURRUMBETE**

*Local Authority-The Lake Purrumbete Foreshore Committee of Management Inc.*

1. 5 knot speed restriction zone for the purposes of Clause 7.

The whole of the waters of Lake Purrumbete are subject to a speed restriction of 5 knots.

2. Areas prohibited to vessels for the purposes of Clause 9.

The waters of Lake Purrumbete in the vicinity of Hoses Rocks extending 75 metres from the edge of the water for the time being between side boundaries approximately 150 metres apart each of which is marked on the shore by a notice inscribed with the words "No Boating", and on the water by a red buoy are prohibited to vessels.

**SCHEDULE 36**

**WATERS-LAKE LINLITHGOW AND BULLRUSH SWAMP**

*Local Authority-Southern Grampians Shire Council*

1. Excluded speed limit for the purposes of Clause 3(a).

The waters of Lake Linlithgow and Bullrush Swamp which are not otherwise specified as a speed restriction zone or an area prohibited to vessels are excluded from the requirements of Clause 3(a) of this notice.

2. 5 knot speed restriction zones for the purposes of Clause 7.

The waters of Lake Linlithgow that are within 20 metres of the eastern and western sides of the boat ramp situated in the southern part of the lake are subject to a speed restriction of 5 knots.

3. Areas prohibited to vessels for the purposes of Clause 9.

The waters of Lake Linlithgow that are-

- (a) south of an imaginary line commencing at a beacon on the shoreline situated at the intersection of the easterly prolongation of the southern boundary of Crown Allotment 34, Parish of Linlithgow with the shoreline; thence east to a similar beacon on the shoreline situated at the intersection of the northerly prolongation of the eastern boundary of Crown Allotment 44, Parish of Linlithgow with the
-

---

**Notice No. 1 Under S. 15(2) Marine Act 1988**

---

shoreline;

- (b) contained within an imaginary line commencing at the last mentioned beacon referred to in (a); thence in a generally easterly direction to a yellow buoy situated approximately 20 metres west of the north-western corner of the boat ramp; thence approximately 56 metres south to the shoreline; thence via the shoreline to the point of commencement-

are prohibited to vessels.

4. Direction of travel for the purposes of Clause 14.

All vessels with an engine used for propulsion must proceed in a clockwise direction in relation to the approximate centre of the waterway on the waters of Lake Linlithgow.

**SCHEDULE 37**  
**WATERS-DEEP LAKE**

*Local Authority-The Deep Lake Recreation Reserve Committee of Management Inc.*

1. 5 knot speed restriction zone for the purposes of Clause 7.

Those waters of Deep Lake that are-

- (a) bounded by the shore, the jetty and a line extending from a yellow beacon situated on the seaward end of the jetty to another yellow beacon situated on the south-eastern shore approximately 340 metres south of the jetty; and
- (b) south of a line extending from a yellow beacon situated midway along the western shore to the yellow beacon situated on the south-eastern shore referred to in (a)-

are subject to a speed restriction of 5 knots.

2. Vessels with engines prohibited for the purposes of Clause 10.

The waters of Deep Lake, between two lines extending to seaward at right angles to the shoreline for a distance of approximately 40 metres from each of two white beacons situated on the foreshore approximately 40 metres apart, the northernmost beacon being situated approximately 14 metres south of the jetty are prohibited to vessels with engines.

3. Prohibition of specific activities for the purposes of Clause 12.

A person must not at any time anchor or moor, or cause to be anchored or moored, any vessel within 30 metres of any buoy or any structure placed in the waters of Deep Lake without the permission of the Committee of Management of Deep Lake Recreational Reserve.

4. Exclusive use or special purpose areas for the purposes of Clause 13.

The use of those waters of Deep Lake that lie within 14 metres of the jetty is set aside for vessels without engines used for propulsion.

**SCHEDULE 38**  
**WATERS-LAKE HAMILTON**

*Local Authority-Southern Grampians Shire Council*

1. 5 knot speed restriction zones for the purposes of Clause 7.

The waters of Lake Hamilton-

- (a) in the northern part of the lake east of a line commencing on the northern shore at a point approximately 110 metres north-east of the launching ramp and marked by a beacon inscribed "5 knots" and thence extending approximately 150 metres in a southeasterly direction passing through a number of yellow buoys to a point on the opposite shore marked by a beacon inscribed "5 knots"; and
- (b) extending approximately 50 metres from the shore in an area approximately 40
-

---

**Notice Under Reg. 800(3) Marine (Fees) Regulations 1988**

---

metres wide with the centre of the outward boundary marked by one yellow buoy inscribed "5 knots" in water immediately in front of the launching ramp located on the western shore of the lake-

are subject to a speed restriction of 5 knots.

2. Areas prohibited to vessels for the purposes of Clause 9.

The waters of Lake Hamilton-

- (a) adjacent to the spillway near the south-west corner of the lake and west of a line commencing at a point on the western shore approximately 50 metres north of the spillway and marked by a beacon inscribed "Stop No Boats. Prohibited Water Beyond This Point" and extending in a south-easterly direction for a distance of approximately 150 metres through a number of red buoys to the southern shore of the lake at a point approximately 50 metres from the south-west corner of the lake marked by a beacon inscribed "Stop No Boats. Prohibited Water Beyond This Point"; and
- (b) in a swimming area located on the southern shore in the northern part of the lake and bounded by the shore and a line commencing at a point on the southern shore approximately 100 metres west of the large island and marked by a beacon inscribed "Stop No Boats. Prohibited Water Beyond This Point" and extending approximately 50 metres in a northwesterly direction to a large red buoy and thence extending approximately 300 metres through a number of red buoys situated approximately 50 metres from the shore to a large red buoy and thence extending approximately 50 metres in a south-easterly direction to the shore at a point marked by a beacon inscribed "Stop No Boats. Prohibited Water Beyond This Point"-

are prohibited to vessels.

3. Exclusive use and special purpose areas for the purpose of Clause 13.

- (a) The waters of Lake Hamilton that are not otherwise restricted by the provisions of this schedule are subject to exclusive use as follows:
  - (i) For the use of vessels engaged in competitive rowing practice and other non-powered vessels from 10 a.m. on each even numbered calendar day.
  - (ii) For the use of vessels engaged in competitive rowing practice, other non-powered vessels and vessels with an engine used for propulsion that are restricted to a speed of 5 knots or less up to 10.00 a.m. on any day.
  - (iii) For the use of vessels with an engine used for propulsion only from 10.00 a.m. on each odd numbered calendar day except that non-powered vessels have right of way to travel within 40 metres of the waters edge between the signposted launching area adjacent to the boatramp and the 5 knot speed restriction zone defined in item 1(a) of this Schedule.
- (b) Notwithstanding the provisions of sub-item 3(a) above, vessels with engines used for propulsion may be used for coaching purposes or as safety boats during those times that the waters of Lake Hamilton are set aside for vessels without engines used for propulsion.

4. Access lanes for the purposes of Clause 5.

Those waters of Lake Hamilton that are within 30 metres of the shore and lying between- (a) two signposts on the lake shore that are 100 metres apart, the northern most of which lies 60 metres south of the southern limit of the 5 knot speed restriction zone adjacent to

---

- the boatramp; and
  - (b) two signposts that are 50 metres apart and on the lake shore close to the intersection of Hensley Park Road and Mill Road-
- are access lanes.

5. Prohibition of specific activities for the purposes of Clause 12.

A person must not-

- (a) operate a vessel on the waters of Lake Hamilton at a speed exceeding 5 knots after sunset and before sunrise; or
- (b) launch any vessel onto the waters of Lake Hamilton except at the launching ramp constructed for that purpose, provided that yachts of less than 3 metres "off the beach" class yachts, sailboards and rowing hulls may be launched from the shore at those locations so marked by signposts.

### **SCHEDULE 39**

#### **WATERS-LAKE SURPRISE (MOUNT ECCLES NATIONAL PARK)**

*Local Authority-Secretary, Department of Natural Resources and Environment*

1. Vessels with engines prohibited for the purposes of Clause 10.

All of the waters of Lake Surprise are prohibited to vessels with engines used for propulsion.

### **SCHEDULE 40**

#### **WATERS-LAKE BOLAC**

*Local Authority-The Lake Bolac Foreshore Committee of Management Inc.*

1. Access lanes for the purposes of Clause 5.

The waters of Lake Bolac described below are access lanes:

- (a) Extending 60 metres from the edge of the water for the time being and approximately 220 metres wide situated on the southern shore with the eastern boundary located approximately 140 metres east of the launching ramp and the western boundary being located approximately 80 metres west of the launching ramp;
- (b) Extending 60 metres from the edge of the water for the time being and approximately 570 metres wide with the eastern boundary situated approximately 100 metres west of the spillway on the southern shore;
- (c) Extending 60 metres from the edge of the water for the time being and approximately 220 metres wide with the southern boundary situated approximately 200 metres south of the launching ramp on the eastern shore;
- (d) Extending 60 metres from the edge of the water for the time being and approximately 340 metres wide with the west boundary situated approximately 110 metres west of the launching ramp on the northern shore.

2. 5 knot speed restriction zones for the purposes of Clause 7.

The waters of Lake Bolac-

- (a) around the perimeter of the lake for a distance of 60 metres from the edge of the water for the time being except in the area prohibited to vessels and in the access lanes; and
-

**Notice Under Reg. 800(3) Marine (Fees) Regulations 1988**

---

(b) north of a north east-south west line between beacons situated on the east and west shore at the narrow section in the northern part of the lake-  
are subject to a speed restriction of 5 knots.

**3. Areas prohibited to vessels for the purposes of Clause 9.**

The following waters of Lake Bolac are prohibited to vessels:

- (a) In a circular area approximately 50 metres in diameter located approximately 200 metres from the eastern shore of the Lake due west of the point where the Fiery Creek enters the lake the centre of the area being defined by a red buoy in the waters;
- (b) In an area approximately 50 metres wide extending 180 metres from the edge of the water for the time being excluding the area within 60 metres of the edge of the water for the time being wherein operating a vessel at a speed in excess of 5 knots is prohibited and located adjacent to the south-east shore of the lake approximately 130 metres east of the spillway the boundaries being marked on the water by red buoys;
- (c) In swimming areas extending 60 metres from the edge of the water for the time being between side boundaries marked by a sign on the shore inscribed "Swimming Area" and red buoys in the water at the following locations:
  - (i) In an area approximately 510 metres wide on the northern shore of the main body of the lake and approximately 290 metres east of the launching ramps; and
  - (ii) in an area approximately 750 metres wide on the northern shore of the main body of the lake and approximately 830 metres east of the launching ramp.

**4. Exclusive use and special purpose areas for the purposes of Clause 13.**

(1) The waters of Lake Bolac set aside for a slalom course area are the waters extending 160 metres from the edge of the water for the time being, excluding the area within 60 metres of the shore for the time being where operating a vessel at a speed in excess of 5 knots is prohibited, in an area between a northerly boundary situated approximately 290 metres south of the launching ramp on the western shore and a southerly boundary approximately 1090 metres south of the launching ramp.

(2) A person operating a vessel on Lake Bolac must not enter the area permitted for use as a slalom course without prior consent of the Lake Bolac Foreshore Committee when white flags are in place on the buoys delineating the four corners of the slalom course area.

**SCHEDULE 41****WATERS-PYKES CREEK RESERVOIR**

*Local Authority-Gippsland and Southern Water Authority*

**1. Access lanes for the purposes of Clause 5.**

The following waters of Pykes Creek Reservoir are access lanes:

- (a) The waters extending approximately 60 metres from the edge of the water for the time being in an area approximately 145 metres wide with the northern boundary located approximately 55 metres south of the launching ramp on the eastern shore
- (b) The waters extending approximately 60 metres from the edge of the water for the time being in an area approximately 60 metres wide with the southern boundary located approximately 25 metres north of the launching ramp on the eastern shore.

**2. 5 knot speed restriction zones for the purposes of Clause 7.**

---



The waters of Pykes Creek Reservoir-

- (a) in Korobeit Creek Inlet east of a line between two beacons located on opposite shores of the reservoir at the entrance to the inlet;
- (b) in Dales Creek Inlet north of a line between two beacons located on opposite shores of the reservoir at the entrance to the inlet;
- (c) in Korojamunip Creek Inlet north of a line between two beacons located on opposite shores of the reservoir at the entrance to the inlet;
- (d) around the perimeter of the reservoir for a distance of approximately 60 metres from the edge of the water for the time being except in the access lanes and in the prohibited areas-

are subject to a speed restriction of 5 knots.

3. Areas prohibited to vessels for the purposes of Clause 9.

The waters of Pykes Creek Reservoir-

- (a) between the dam wall of the reservoir and a line approximately 400 metres to the north thereof between two beacons inscribed "Stop" and "Prohibited Water Beyond This Point" located on opposite shores of the reservoir; and
- (b) in a swimming area located in Swimmers Cove east of a line marked by red buoys in the water-

are prohibited to vessels.

#### **SCHEDULE 42**

##### **WATERS-LAKE WENDOUREE**

*Local Authority-Ballarat City Council*

1. Prohibition of specific activities for the purposes of Clause 12.

The whole of the waters of Lake Wendouree are subject to a speed restriction of 5 knots to vessels equipped with engines used for propulsion.

#### **SCHEDULE 43**

##### **WATERS-LAKE BURRUMBEET**

*Local Authority-Ballarat City Council*

1. Excluded speed limits for the purposes of Clause 3 (a).

The waters of Lake Burrumbeet are not subject to the requirements of Clause 3 (a) of this notice.

2. Access lanes for the purposes of Clause 5.

The following waters of Lake Burrumbeet are access lanes.

The waters of Lake BurrumbeetX

- (a) extending approximately 100 metres from the edge of the water for the time being in an area approximately 200 metres wide situated on the southern shore with the westerly boundary located approximately 100 metres east of the boat launching ramp located at BurrumbeetBHillcrest Road;
  - (b) extending approximately 100 metres from the edge of the water for the time being in an area approximately 150 metres wide situated on the southern shore with the westerly boundary located approximately 200 metres east of the Canico Creek;
  - (c) extending approximately 100 metres from the edge of the water for the time being in an area approximately 750 metres wide situated on the southern shore with the westerly boundary located approximately 300 metres west of the Boat Club except those two areas within a radius of 30 metres of the two boat ramps within the access
-

lane, which are subject to a speed restriction of 5 knots.

3. 5 Knot speed restriction zones for the purposes of Clause 7.

The following waters of Lake Burrumbeet are subject to a speed restriction of 5 knots.

The waters of Lake BurrumbeetX

- (a) extending approximately 200 metres from the edge of the water for the time being and located adjacent to the eastern shore between a beacon situated on the shore immediately south of the Burrumbeet Creek Inlet and other beacon situated on the shore approximately 100 metres south of Racecourse Point;
  - (b) extending approximately 350 metres from the edge of the water for the time being in an area approximately 240 metres wide and located adjacent to the eastern shore between a beacon situated on the shore approximately 100 metres south of Racecourse Point and another beacon situated on the shore approximately 140 metres north of Racecourse Point;
  - (c) extending approximately 100 metres from the edge of the water for the time being and located adjacent to the eastern shore between a beacon located on the shore approximately 140 metres north of Racecourse Point and another beacon located on the shore approximately 150 metres south of the launching ramp adjacent to the Burrumbeet Caravan Park;
  - (d) extending approximately 100 metres from the edge of the water for the time being and located adjacent to the eastern shore between a beacon located on the shore approximately 100 metres south of the launching ramp adjacent to the Burrumbeet Caravan Park and another beacon located on the shore approximately 10 metres to the north of the launching ramp;
  - (e) bounded by the shore and a line commencing from a beacon located on the eastern shore approximately 10 metres north of the launching ramp adjacent to the Burrumbeet Caravan Park and extending in a westerly direction for a distance of approximately 300 metres to a beacon in the water thence extending in a northerly direction for a distance of approximately 950 metres to a beacon located on the northern shore approximately 450 metres west of the north east extremity of the Lake;
  - (f) extending approximately 30 metres from the edge of the water for the time being and located adjacent to the northern shore between a beacon situated on the shore approximately 500 metres west of the north east corner of the Lake and another beacon located on the shore approximately 1600 metres west of the north east corner of the Lake;
  - (g) extending approximately 30 metres from the edge of the water for the time being and located adjacent to the northern shore between a beacon situated on the shore approximately 850 metres east of the unnamed creek inlet and another beacon situated on the shore approximately 150 metres south of the cemetery;
  - (h) in Dobsons Bay north west of a line between beacons situated on the shore on each side of the entrance to the bay, except all those waters within the bay which are prohibited areas;
  - (i) between the Shire boundary and the speed restriction zone within Dobsons Bay and within a 200 metre radius of a beacon situated on the northern shore of Whites Point;
  - (j) extending approximately 200 metres from the edge of the water for the time being
-

---

*Notice No. 1 Under S. 15(2) Marine Act 1988*

---

- and located adjacent to the south east shore between a beacon situated on the shore immediately south of the Burrumbeet Creek Inlet and another beacon situated on the shore approximately 300 metres east of the boat launching ramp located at the BurrumbeetBHillcrest Road;
- (k) extending approximately 100 metres from the edge of the water for the time being and located adjacent to the southern shore between a beacon situated on the shore approximately 30 metres west of the launching ramp located at the BurrumbeetBHillcrest Road and another beacon situated on the shore approximately 100 metres east of the launching ramp located at the BurrumbeetBHillcrest Road;
  - (l) extending approximately 100 metres from the edge of the water for the time being and located adjacent to the Caravan Park on the southern shore in an area approximately 300 metres wide between two beacons situated on the shore except all those waters within the area which are prohibited areas;
  - (m) extending approximately 100 metres from the edge of the water for the time being and located adjacent to the southern shore between a beacon situated on the shore approximately 200 metres east on the shore approximately 350 metres west of the Canico Creek Inlet;
  - (n) extending approximately 30 metres from the edge of the water for the time being and located adjacent to the southern shore between beacons situated on the shore approximately 30 metres each side of the launching ramp situated approximately 30 metres east of the boat club;
  - (o) extending approximately 30 metres from the edge of the water for the time being and located adjacent to the southern shore between beacons situated on the shore approximately 30 metres either side of the launching ramp situated approximately 200 metres west of the boat club;
  - (p) extending approximately 100 metres from the edge of the water for the time being and located adjacent to the south western shore between a beacon situated on the shore approximately 80 metres west of the boat ramp located approximately 200 metres west of the boat club and another beacon situated on the shore approximately 50 metres south of Baillies Creek Inlet;
  - (q) adjacent to the western shore within Western Bay (Dunny Bay) and bounded by the shore and a line commencing at a beacon situated on the northwest shore of Sawyers point and thence extending in a north westerly direction for a distance of approximately 550 metres to a beacon in the water approximately 100 metres from the shore and thence in a westerly direction to a beacon on the shore;
  - (r) extending approximately 200 metres from the edge of the water for the time being and located adjacent to the western shore between a beacon situated on the shore approximately 300 metres north east of the pump house and another beacon situated on the northern shore of Whites Point;
  - (s) adjacent to the south-western shore within Dobsons Bay, and bounded by the shore, and a line commencing at a beacon situated on the north shore of Sawyers Point and thence extending in a north westerly direction for a distance of approximately 1000 metres to a beacon on the shore.

#### 4. Areas prohibited to vessels for the purposes of Clause 9.

The following waters of Lake Burrumbeet are prohibited to vessels.

---

## The waters of Lake BurrumbeetX

- (a) extending approximately 100 metres from the edge of the water for the time being in a swimming area located adjacent to the eastern shore between a beacon situated on the shore approximately 100 metres south of the launching ramp adjacent to the Burrumbeet Caravan Park and another beacon situated on the shore approximately 150 metres south of the launching ramp;
  - (b) extending approximately 200 metres from the edge of the water for the time being and located adjacent to the northern shore between a beacon situated on the shore approximately 850 metres east of the unnamed creek inlet and another beacon situated on the shore approximately 1350 metres east of the unnamed creek inlet;
  - (c) adjacent to the northern shore in the vicinity of Lambs Cliffs and bounded by the shore and a line commencing at a beacon situated on the shore approximately 150 metres south of the cemetery and extending for approximately 40 metres in an easterly direction to a beacon in the water, thence in a southerly direction for a distance of approximately 250 metres to another beacon in the water, thence in a westerly direction for a distance of approximately 300 metres to another beacon in the water and thence in a northerly direction for a distance of approximately 250 metres to a beacon situated on the north east shore of Dobsons Bay;
  - (d) extending approximately 100 metres from the edge of the water for the time being and located adjacent to the southern shore on the eastern boundary of the caravan park and another beacon situated on the shore approximately 400 metres east of the caravan park;
  - (e) extending approximately 50 metres from the edge of the water for the time being and located adjacent to the southern shore between beacons approximately 70 metres apart, situated on the shore in front of the caravan park;
  - (f) bounded by the western shore and a line commencing at a beacon on the shore immediately south of Baillies Creek Inlet, and extending in a south easterly direction for a distance of approximately 100 metres to a beacon in the water, thence in a north easterly direction for a distance of approximately 350 metres to a beacon in the water, thence in a easterly direction for a distance of approximately 2100 metres to a beacon in the water, thence in a northerly direction for a distance of approximately 500 metres to a beacon in the water, thence in a north westerly direction for a distance of approximately 1200 metres to a beacon in the water, thence in a westerly direction for a distance of approximately 1250 metres to a beacon in the water, thence in a north westerly direction for a distance of approximately 300 metres to a beacon in the water, thence in a north easterly direction for a distance of approximately 300 metres to a beacon in the water, thence in a north westerly direction for a distance of approximately 40 metres to a beacon located on the southern shore of Carngham Point;
  - (g) extending approximately 40 metres from the edge of the water for the time being and located on the western shore between a beacon situated on the southern shore of Carngham Point and another beacon situated on the north west shore of Sawyers Point;
  - (h) bounded on the western shore and a line commencing at a beacon situated on the shore approximately 150 metres south of the drain inlet, thence extending in an easterly direction for a distance of approximately 100 metres to a beacon in the
-

water and then extending in a north easterly direction for a distance of approximately 750 metres to a beacon situated in the water, thence in a north westerly direction for a distance of approximately 200 metres to a beacon situated on the shore.

**SCHEDULE 44**  
**WATERS-ROCKLANDS RESERVOIR**

*Local Authority-Wimmera Mallee Rural Water Authority*

1. Access lanes for the purposes of Clause 5.

The following waters of Rocklands Reservoir are access lanes:

- (a) The waters extending approximately 60 metres from the edge of the water for the time being in an area approximately 250 metres wide located adjacent to the northern shore and approximately 350 metres east of the dam wall;
- (b) The waters extending approximately 60 metres from the edge of the water for the time being in an area approximately 150 metres wide located adjacent to the northern shore approximately 40 metres south of the public launching ramp.

2. 5 knot speed restriction zones for the purposes of Clause 7.

The waters of Rocklands Reservoir-

- (a) between the prohibited water area adjacent to the dam wall and a line parallel to the dam wall and approximately 250 metres east of that wall between two beacons located on opposite shores of the reservoir except in the prohibited areas; and
- (b) around the perimeter of the reservoir for a distance of 60 metres from the edge of the water for the time being except in the access lanes and prohibited areas-

are subject to a speed restriction of 5 knots.

3. Areas prohibited to vessels for the purposes of Clause 9.

The waters of Rocklands Reservoir-

- (a) between the dam wall and a line approximately 100 metres to the east thereof between beacons inscribed "Stop" and "Prohibited Water Beyond This Point" located on opposite shores of the reservoir;
  - (b) extending approximately 60 metres from the edge of the water for the time being in a swimming area approximately 60 metres wide located adjacent to the western shore and approximately 30 metres north of the public launching ramp, the boundaries of the swimming area being marked by red buoys;
  - (c) extending approximately 60 metres from the edge of the water for the time being in a swimming area approximately 70 metres wide located adjacent to the northern shore approximately 130 metres east of the dam wall, the boundaries of the swimming area being marked by red buoys;
  - (d) designated as a speed restriction zone extending approximately 150 metres east of the prohibited area adjacent to the dam wall when-
    - (i) the water level of the reservoir is at crest level or the spillway is operating;
    - (ii) a notice is erected on the northern shore adjacent to the said waters and at the public launching ramp indicating that all classes of vessels are prohibited within 250 metres of the dam wall;
    - (iii) the two beacons on opposite shores of the reservoir denoting the speed restriction zone are covered;
    - (iv) red buoys are placed in the water approximately 250 metres east of the dam
-

wall-  
are prohibited to vessels.

**SCHEDULE 45**  
**WATERS-LAKE BELLFIELD**

*Local Authority-Wimmera Mallee Rural Water Authority*

1. 5 knot speed restriction zone for the purposes of Clause 7.  
The waters of Lake Bellfield within approximately 60 metres of the water's edge except in the prohibited area are subject to a speed restriction of 5 knots.
2. Area prohibited to vessels for the purposes of Clause 9.  
The waters of Lake Bellfield between the dam wall and a line approximately 200 metres to the south between two beacons inscribed "Stop" and "Prohibited Water Beyond This Point" erected on opposite shores of the Lake are prohibited to vessels.
3. Prohibition on vessels with engines for the purposes of Clause 10.  
The whole of the waters of Lake Bellfield are prohibited to all vessels which have an internal combustion engine used for propulsion.

**SCHEDULE 46**  
**WATERS-MIDDLE AND REEDY LAKE**

*Local Authority-Goulburn-Murray Water*

1. Exclusive use and special purpose areas for the purposes of Clause 13.  
The whole of the waters of Middle and Reedy Lakes are prohibited to all vessels from the first day of July each year to the last day of February the next following year.

**SCHEDULE 47**  
**WATERS-LAKE WARTOOK**

*Local Authority-Wimmera Mallee Rural Water Authority*

1. 5 knot speed restriction zone for the purposes of Clause 7.  
The whole of the waters of Lake Wartook are subject to a speed restriction of 5 knots.
2. Water skiing prohibited for the purposes of Clause 8.  
The whole of the waters of Lake Wartook are prohibited to water skiers and vessels towing water skiers.
3. Prohibition of specific activities for the purposes of Clause 12.  
The whole of the waters of Lake Wartook are prohibited for the use of personal water craft.

**SCHEDULE 48**  
**WATERS-LAKE WEEROONA**

*Local Authority-Greater Bendigo City Council*

1. Exclusive use and special purpose areas for the purposes of Clause 13.  
The whole of the waters of Lake Weeroona are prohibited to all vessels except racing shells and pedal boats.

**SCHEDULE 49**  
**WATERS-LAKE EPPALOCK**

*Local Authority-Goulburn-Murray Water*

1. Excluded speed limits for the purposes of Clause 3(a).
-

---

**Notice No. 1 Under S. 15(2) Marine Act 1988**

---

The waters of Lake Eppalock are not subject to the requirements of Clause 3(a) of this notice.

2. 5 knot speed restriction zones for the purposes of Clause 7.

The following waters of Lake Eppalock are subject to a speed restriction of 5 knots:

The waters of Lake Eppalock within-

- (a) Balee Bay-south of a line between beacons located on the foreshore on either side of the small inlet at the east side of the southern end of the bay except in the prohibited area;
  - (b) Kangaroo Arm-south of a line between beacons located on the foreshore on either side of the arm approximately 100 metres south of the Eppalock Caravan Park launching ramp;
  - (c) Beal Bay-south of a line between beacons located on the foreshore on either side of the southern portion of the bay except in the prohibited area located adjacent to Site E5;
  - (d) Glover Bay-west of a line between beacons located on opposite shores at the entrance to the bay;
  - (e) Coliban Pool-north of a line between beacons located on opposite shores at the entrance to the bay located in the northern section of the Coliban Pool;
  - (f) Coliban River Arm-south of a line between beacons located on opposite shores at the entrance to the narrow section of the arm immediately south of the Coliban Pool;
  - (g) The Strait-in the Strait connecting the Coliban Pool and Metcalfe Pool between a line passing between beacons located on the shore on either side of the entrances to the northern and southern sections of the narrow waters of the Strait;
  - (h) Campaspe River Arm-in the Campaspe River Arm south of a line between beacons located on the shore on either side of the lake at the entrance to the narrow section of the arm approximately 200 metres south of the Metcalfe Housing Co-operative;
  - (i) Native Dog Inlet-south of a line between beacons located on opposite shores at the entrance to the inlet;
  - (j) Turners Reach-east of a line between beacons located on opposite shores at the entrance to the reach;
  - (k) Meadow Valley Inlet-south of a line between beacons located on opposite shores approximately 200 metres south of the entrance to the inlet;
  - (l) Wild Duck Inlet-south of a line between beacons located on opposite shores approximately 100 metres east of the entrance to the inlet;
  - (m) Mount Ida Inlet-east of a line between beacons located on opposite shores approximately 100 metres east of the entrance to the inlet;
  - (n) Lakeshore Caravan Park-in an area approximately 5 metres wide adjacent to the Lakeshore Caravan Park and extending in a southerly direction from the shore to the island the centre line between the shore and island being marked by yellow buoys on the water;
  - (o) Kimbolton Pool
    - (i) Northern Bay-in the bay situated adjacent to the northern shore of Kimbolton Pool between Strath Bay and Tower Bay north of a line between beacons on opposite shores at the entrance to the bay;
    - (ii) Bendigo Yacht Club-extending approximately 60 metres from the edge of the water for the time being in an area approximately 75 metres wide, located along the western shore of Kimbolton Pool adjacent to Site B2 between sides
-

---

**Notice Under Reg. 800(3) Marine (Fees) Regulations 1988**

---

boundaries marked by yellow buoys in the water.

- (p) Launching Ramps-extending approximately 60 metres from the edge of the water for the time being in an area approximately 40 metres wide with the centre of the outward boundary being marked by one yellow buoy in the water immediately in front of the launching ramps at the following locations;
- (i) Adjacent to the western shore of the Kimbolton Pool;
  - (ii) Adjacent to the northern shore of the Eppalock Caravan Park;
  - (iii) Adjacent to the northern shore of Kirrang Point;
  - (iv) Adjacent to the northern shore of the Coliban Pool;
  - (v) Adjacent to the eastern shore of the Metcalfe Caravan Park;
  - (vi) Adjacent to the northern shore of the Derrinal Pool;
  - (vii) Adjacent to the western shore of the Moorabbee Lodge Caravan Park;
  - (viii) Adjacent to the southern shore of the Lakeshore Caravan Park.

### 3. Areas prohibited to vessels for the purposes of Clause 9.

The following waters of Lake Eppalock are prohibited to vessels:

A. Tower Bay-between the dam wall and a line approximately 300 metres to the south thereof between beacons inscribed "Stop" and "Prohibited Water Beyond This Point" located on opposite shores at the entrance to the bay;

B. Swimming areas-in swimming areas, the boundaries being marked by red buoys in the water, and located at the following locations:

- (a) Strath Bay-extending approximately 60 metres from the edge of the water for the time being in an area approximately 100 metres wide and situated adjacent to the western shore of the bay immediately south of the toilet block;
- (b) Randalls Cove-west of a line commencing on the northern peninsula of the cove and extending in a southerly direction for approximately 400 metres and north of an east-west line commencing from a point on the south-west shore of the cove and intersecting the north-south boundary approximately 120 metres offshore;

#### C. Balee Bay

- (i) Site B12-extending approximately 40 metres from the edge of the water for the time being in an area approximately 50 metres wide and located adjacent to Site B12 on the western shore of the bay;
- (ii) Eppalock Caravan Park-extending approximately 60 metres from the edge of the water for the time being in an area approximately 70 metres wide located approximately 30 metres east of the launching ramp on the north-east shore of the caravan park;
- (iii) Sites C1, C2 and C3, C3 and C4, and C5-four areas extending approximately 60 metres from the edge of the water for the time being in areas approximately 50 metres wide and located along the eastern shore of Balee Bay adjacent to Sites C1, C2 and C3, C3 and C4, and C5;

#### D. Loranthus Bay

Sites D3, D4, D5, D6 and D6A2-five areas extending approximately 60 metres from the edge of the water for the time being in areas approximately 40 metres wide located along the eastern shore of Loranthus Bay adjacent to Sites D3, D4, D5, D6 and D6A2.

#### E. Beal Bay

- (i) Site D7-west of a line across the western extremity of the bay located immediately north of Site D7;
-



- (ii) Site D9-extending approximately 60 metres from the edge of the water for the time being in an area approximately 40 metres wide located along the western shore of Beal Bay adjacent to the north-east shore of Site D9;
- (iii) Sites E5, E6, E7, E9 and E10-five areas extending approximately 60 metres from the edge of the water for the time being in areas approximately 40 metres wide located along the eastern shore of Beal Bay adjacent to Sites E5, E6, E7, E9 and E10.

#### F. Mutual Bay

- (i) Sites E11, E12 and E13-three areas extending approximately 60 metres from the edge of the water for the time being in areas approximately 40 metres wide located along the north-west shore of Mutual Bay adjacent to Sites E11, E12 and E13;
- (ii) Site F2-between the bridge connecting the main land and Sometime Island and a line also between the mainland and Sometime Island located approximately 40 metres west of the bridge.

#### G. Glover Bay

Low Head Inlet-north of a line located at the entrance to the inlet.

#### H. Whisky Island Pool

Site G1-extending approximately 60 metres from the edge of the water for the time being in an area approximately 50 metres wide and located along the south-west shore of Whisky Island Pool adjacent to Site G1.

#### I. Point Wesley

- (i) Site G4-extending approximately 60 metres from the edge of the water for the time being in an area approximately 50 metres wide and located along the northern shore of Point Wesley and adjacent to site G4;
- (ii) Site G5-west of a line in the western corner of the small bay situated immediately south of Point Wesley and adjacent to Site G5;
- (iii) Site G9-extending approximately 60 metres from the edge of the water for the time being in an area approximately 50 metres wide and located along the western shore of the Lake and approximately 150 metres south of Point Wesley and adjacent to Site G9.

#### J. Point Knox

Site G10-north of a line across the northern part of the bay on the north-east side of Point Knox and adjacent to the eastern boundary of Site G10.

#### K. Coliban Pool

- (i) Site G12-extending approximately 60 metres from the edge of the water for the time being in an area approximately 60 metres wide located along the northern shore of the Coliban Pool adjacent to Site G12;
  - (ii) Site H3-north of a line across the small inlet in the northern section of the bay located in the north-west corner of the Coliban Pool and adjacent to the southern shore of H3;
  - (iii) Site H4-
    - (a) extending approximately 40 metres from the edge of the water for the time being in an area approximately 30 metres wide located along the southern shore near the western extremity of the bay located in the north-west corner of the Coliban Pool adjacent to the northern shore
-

of Site H4;

- (b) extending approximately 40 metres from the edge of the water for the time being in an area approximately 30 metres wide located on the southern shore at the entrance to the bay located in the north-west corner of the Coliban Pool and adjacent to the north-east boundary of Site H4;
- (iv) Site H5-extending approximately 60 metres from the edge of the water for the time being in an area approximately 50 metres wide and located along the western shore of the Coliban Pool adjacent to Site H5;
- (v) Site H7-extending approximately 60 metres from the edge of the water for the time being in an area approximately 50 metres wide located along the western shore of the Coliban Pool adjacent to the south-east boundary of Site H7.

**L. Metcalfe Pool**

- (i) Metcalfe Caravan Park-west of a line across the small bay located on the western side of the Metcalfe Pool adjacent to the northern boundary of the Metcalfe Caravan Park;
- (ii) Metcalfe Housing Co-operative- extending approximately 60 metres from the edge of the water for the time being in an area approximately 250 metres wide located along the western shore of the Campaspe River Arm adjacent to the Metcalfe Housing Co-operative.

**M. Lakeshore Caravan Park**-extending approximately 30 metres from the edge of the water for the time being in an area approximately 30 metres wide located adjacent to the Lakeshore Caravan Park between the island and the mainland.

**N. Derrinal Pool**

- (i) Moorabbee Lodge Caravan Park-in McIvor Bay east of a line located in the inlet on the eastern side of the Bay and adjacent to the western shore of the Moorabbee Lodge Caravan Park;
- (ii) Public Boat Launching Ramp-extending approximately 60 metres from the edge of the water for the time being in an area approximately 80 metres wide located approximately 30 metres north of the public boat launching ramp;
- (iii) Coliban Water Sports Club-extending approximately 60 metres from the edge of the water for the time being in an area approximately 100 metres wide located along the northern shore of the Derrinal Pool adjacent to the Coliban Water Sports Club site.
- (iv) Victorian Speed Boat Club-extending approximately 60 metres from the edge of the water for the time being in an area approximately 80 metres wide located along the southern shore of the Victorian Speed Boat Club site.

4. Exclusive use and special purpose areas for the purpose of Clause 3.

The waters of Lake Eppalock north of a line between signs inscribed "Area for Manually Operated Boats and Windsurfers" located on the foreshore each side of the entrance to Strath Bay, excluding the prohibited area, are set aside for manually operated vessels and windsurfers.

**SCHEDULE 50**

**WATERS-GOLDFIELDS RESERVOIR**

*Local Authority-Central Goldfields Shire Council*

---

**Notice No. 1 Under S. 15(2) Marine Act 1988**

---

## 1. Exclusive use and special purpose areas for the purposes of Clause 13;

- (a) A person must not operate a vessel on Goldfields Reservoir when there are two vessels with engines used for propulsion exceeding 8.0 kilowatts developed power already operating on the reservoir;
- (b) The waters of Goldfields Reservoir are prohibited to bathers when vessels with engines used for propulsion are operating on the waters;
- (c) A person must not operate a vessel with an engine used for propulsion for more than 4 circuits of the reservoir at any one time or for continuous period of 15 minutes if there is another vessel waiting to operate;
- (d) A person must not operate a vessel with an engine used for propulsion exceeding 8.0 kilowatts developed power after sunset or before 8.00 a.m.;
- (e) A person must not operate a vessel with an engine used for propulsion at speeds exceeding 5 knots during the period 1 April to 30 November.

## 2. Direction of travel for the purposes of Clause 14.

All vessels with an engine used for propulsion must proceed in a clockwise direction in relation to the approximate centre of the waterway around the waters of Goldfields Reservoir.

**SCHEDULE 51  
WATERS-LAKE VICTORIA**

*Local Authority-Central Goldfields Shire Council*

## 1. Prohibition on vessels with engines for the purposes of Clause 10.

The whole of the waters of Lake Victoria are prohibited to vessels with engines used for propulsion.

**SCHEDULE 52  
WATERS-CAIRN CURRAN RESERVOIR**

*Local Authority-Goulburn-Murray Water*

## 1. Access lanes for the purposes of Clause 5.

The following waters of Cairn Curran Reservoir are access lanes:

- (a) The waters extending approximately 60 metres from the edge of the water for the time being in an area approximately 150 metres wide located approximately 200 metres south of the south-east boundary of the swimming area in Woolshed Bay;
- (b) The waters extending approximately 60 metres from the edge of the water for the time being in an area approximately 300 metres wide and located adjacent to the south-west point of Woolshed Bay;
- (c) The waters extending approximately 60 metres from the edge of the water for the time being in an area approximately 130 metres wide and located approximately 25 metres south of the launching ramp in Lethbridge Bay.

## 2. 5 Knot speed restriction for the purposes of Clause 7.

The waters of Cairn Curran Reservoir-

- (a) around the perimeter of the Reservoir for a distance of approximately 60 metres from the edge of the water for the time being except in the access lanes and in the prohibited areas;
  - (b) in Treloars Bay east of a line between two beacons located on opposite shores at the entrance to the bay;
  - (c) in the Loddon Arm east of a line between two beacons located on opposite shores at
-

**Notice Under Reg. 800(3) Marine (Fees) Regulations 1988**

- the entrance to the inlet;
- (d) in the Joyce's Creek Arm south-west of a line between two beacons located on opposite shores at the entrance to the inlet;
- (e) in Bryant's Bay west of a line between two beacons located on opposite shores at the entrance to the bay-

are subject to a speed restriction of 5 knots.

3. Areas prohibited to vessels for the purposes of Clause 9.

The waters of Cairn Curran Reservoir-

- (a) between the main dam wall and a line approximately 200 metres to the south thereof between two beacons inscribed "Stop" and "Prohibited Water Beyond this Point" located on opposite shores of the reservoir;
- (b) between the secondary embankment and a line approximately 200 metres to the east thereof between two beacons inscribed "Stop" and "Prohibited Water beyond this Point" located on opposite shores of the reservoir
- (c) in a swimming area located at the north-east end of Woolshed Bay between a line of red buoys and the foreshore, the line commencing at a point approximately 50 metres east of the launching ramp and extending approximately 240 metres in a south easterly direction and then for approximately 240 metres in an easterly direction to the foreshore;
- (d) in a swimming area located in the bay on the eastern side of the reservoir approximately 500 metres south of the main dam wall, between a line of red buoys and the foreshore;
- (e) in a swimming area located in Lethbridge Bay approximately 75 metres north-east of the launching ramp between the foreshore and a line between two beacons inscribed "Stop No Boats" located on opposite shores of the bay-

are prohibited to vessels.

### **SCHEDULE 53**

#### **WATERS-LITTLE LAKE BOORT**

*Local Authority-Loddon Shire Council*

1. Areas prohibited to vessels for the purposes of Clause 9.

The following waters of Little Lake Boort are prohibited to vessels:

Commencing at the waters edge approximately 30 metres east of the boat ramp adjacent to the water ski club, thence easterly for approximately 20 metres to a red buoy and then northerly to the waters edge and as marked by signs on the foreshore.

### **SCHEDULE 54**

#### **WATERS-GREEN HILL LAKE**

*Local Authority- Ararat Rural City Council*

1. Access lane for the purpose of Clause 5.

The waters of Green Hill Lake extending 30 metres from the edge of the water for the time being in an area approximately 180 metres wide and situated between two points approximately 200 metres and 380 metres east of the spillway on the highwater line of the southern bank are an access lane.

2. 5 Knot speed restriction zones for the purpose of Clause 7.

All the waters of Green Hill Lake which are not prohibited to vessels or set aside as an exclusive area are subject to a speed restriction of 5 knots for vessels with an engine used for propulsion.

3. Areas prohibited to vessels for the purpose of Clause 9.

The waters of Green Hill LakeX

- (a) adjacent to the spillway near the south-west corner of the lake commencing at a point approximately 150 metres north of the spillway at the high water line of the western bank to a point marked by a red buoy being approximately 80 metres directly east of the middle of the spillway to a point approximately 230 metres east of the spillway on the high water line of the southern bank;
- (b) in the swimming area located in the area bounded by the southern point of the island which is due west of the eastern swimming beach thence south-easterly to a point on the high water line on the lake shore thence northerly along the shore line to a point due north of the island which is west of the eastern swimming beach thence to a point on the northern tip of the island which is due west of the eastern swimming beach and thence along the high water line of the eastern shore line of the island which is west of the eastern swimming beach to the commencement pointX

are prohibited to vessels.

4. Exclusive use and special Purpose area for the purposes of Clause 13.

(1) The following waters of Green Hill Lake (known as the exclusive area) are set aside for the purpose set out below and are subject to controls prescribed:

An area bounded by a sign (No. 1) on the southern shore 380 metres east of the spillway to a yellow buoy (No. 2) 50 metres south-west of the island situated in the south-east corner of the Lake thence north-westerly to a yellow buoy (No. 3) 50 metres west of the north-west corner of Lake Island thence due west to a yellow buoy (No. 4) 150 metres from the north-west corner of Lake Island and thence south-westerly to a yellow buoy (No. 5) 360 metres north of the spillway on the high water line of the western bank of the lake and thence following the boundary of the 5 knot zone within 30 metres of the shore and the boundary of the prohibited zone Clause 3a of this schedule.

- (2)(a) The exclusive area is set aside solely for power boating, water skiing and personal water craft on the days of the week specified as follows:
    - (i) During Eastern Summer Time, each Sunday, Monday, Wednesday and Friday.
    - (ii) During Eastern Standard Time, each Saturday, Tuesday and Thursday.
  - (b) The exclusive area is set aside solely for non-power boating or power boating at less than 5 knots on the days of the week specified as follows:
    - (i) During Eastern Summer Time, each Saturday, Tuesday and Thursday;
    - (ii) During Eastern Standard Time, each Sunday, Monday, Wednesday and Friday.
  - (c) The following conditions apply to power boating, water skiing and personal water craft within the exclusive area:
    - (i) There must be no more than 5 vessels in the area at any one time;
    - (ii) No more than 5 circuits or 20 minutes continuous operation is permitted whilst another vessel is waiting in the access lane for a turn to operate;
    - (iii) Vessels must complete an entire circuit before re-entering the access lane and must not stop except for the purpose of assisting a water skier or another person in the water, or where for emergency reasons it is not practicable to complete a circuit.
- (3) No vessel may be operated at a speed exceeding 5 knots after sunset and before sunrise.
-

**SCHEDULE 55**

**WATERS-THE VOLCANO STORAGE**

*Local Authority-Northern Grampians Shire Council*

1. Areas prohibited to vessels for the purposes of Clause 9.  
The whole of the waters within the Volcano Storage are prohibited to vessels.
2. Areas prohibited to bathers for the purposes of Clause 12.  
The whole of the waters within the Volcano Storage are prohibited to bathers.

**SCHEDULE 56**

**WATERS-THE ST ARNAUD RESERVOIR**

*Local Authority-Northern Grampians Shire Council*

1. Areas prohibited to vessels for the purposes of Clause 9.  
The whole of the waters of the St. Arnaud Reservoir are prohibited to vessels.
2. Areas prohibited to bathers for the purposes of Clause 12.  
The whole of the waters of the St. Arnaud Reservoir are prohibited to bathers.

**SCHEDULE 57**

**WATERS-THE TEDDINGTON RESERVOIR No. 1 (UPPER KARA KARA STATE PARK)**

*Local Authority-Secretary, Department of Natural Resources and Environment*

1. Area prohibited to vessels for the purposes of Clause 9.  
The whole of the waters of Teddington Reservoir No. 1 are prohibited to vessels.

**SCHEDULE 58**

**WATERS-THE TEDDINGTON RESERVOIR No. 2**

*Local Authority-Northern Grampians Shire Council*

1. Areas prohibited to vessels for the purposes of Clause 9.  
The whole of the waters of the Teddington Reservoir No. 2 are prohibited to vessels.

**SCHEDULE 59**

**WATERS-HOLLANDS LAKE AND ALL RIVERS AND STREAMS WITHIN THE SHIRE OF NORTHERN GRAMPIANS**

*Local Authority-Northern Grampians Shire Council*

1. Areas prohibited to vessels for the purposes of Clause 9.  
The whole of the waters of Hollands Lake and all rivers and streams within the Shire of Northern Grampians except Lake Batyo Catyo and Walkers Lake are prohibited to vessels.

**SCHEDULE 60**

**WATERS-GREENS LAKE (COROP)**

*Local Authority-Goulburn-Murray Water*

1. Access lane for the purposes of Clause 5.  
The waters of Greens Lake (Corop) extending approximately 60 metres from the edge of the water for the time being in an area approximately 200 metres wide and located approximately 100 metres north-west of the public launching ramp are an access lane.
  2. 5 knot speed restriction zones for the purposes of Clause 7.  
The waters of Greens Lake (Corop)-
-

- (a) around the perimeter of the lake for a distance of approximately 60 metres from the edge of the water for the time being except in the access lane and in the prohibited areas;
- (b) south of a line passing east-west between netting boundary signs erected on opposite sides of the lake-

are subject to a speed restriction of 5 knots.

3. Areas prohibited to vessels for the purposes of Clause 9.

The waters of Greens Lake (Corop)-

- (a) extending approximately 60 metres from the edge of the water for the time being in a swimming area approximately 100 metres wide located approximately 100 metres south-east of the public launching ramp, the boundaries of the swimming area being marked by red buoys;
- (b) adjacent to the Rural Water Corporation pump house between the edge of the water for the time being and two lines of red buoys in the water, one line commencing from the shore line approximately 350 metres north-east of the pump house and the other line commencing from the shore line approximately 350 metres south-west of the pump house and each line extending until they both meet at a point indicated by a marker buoy situated in the water approximately 400 metres south-east of the pump house-

are prohibited to vessels.

### SCHEDULE 61

#### WATERS-LAKE HINDMARSH

*Local Authority-Hindmarsh Shire Council*

1. Access lanes for the purposes of Clause 5.

The waters of Lake Hindmarsh extending approximately 160 metres from the edge of the water-

- (a) at Four Mile Beach between two lines extending from two signs on the shore to two green buoys in the water, the signs on the shore being approximately 200 metres apart with the westernmost sign being approximately 30 metres east of the boat ramp;
- (b) at Schulze's Beach between two lines extending from two signs on the shore to two green buoys in the water, the signs on the shore being approximately 100 metres apart with the northernmost sign being immediately south of the boat ramp-

are access lanes.

2. 5 knot speed restriction zones for the purposes of Clause 7.

The waters of Lake Hindmarsh extending approximately 160 metres from the edge of the water-

- (a) at Four Mile Beach between two lines extending from two signs on the shore to two yellow buoys in the water, the signs on the shore being approximately 100 metres apart with the westernmost sign being approximately 70 metres west of the boat ramp;
- (b) at Schulze's Beach between two lines extending from two signs on the shore to two yellow buoys in the water, the signs on the shore being approximately 70 metres apart with the southernmost sign being immediately south of the boat ramp-

are subject to a speed restriction of 5 knots.

3. Areas prohibited to vessels for the purposes of Clause 9.

The waters of Lake Hindmarsh extending approximately 160 metres from the edge of the water

---

for the time being-

- (a) at Four Mile Beach between two lines extending from the signs on the shore to two red buoys on the water, the signs on the shore being approximately 300 metres apart with the easternmost sign being approximately 70 metres west of the boat ramp;
- (b) at Schulze's Beach between two lines extending from two signs on the shore to two red buoys in the water, the signs on the shore being approximately 250 metres apart with the northernmost sign being approximately 100 metres south of the boat ramp-

are prohibited to vessels.

4. Areas where vessels with engines are prohibited for the purposes of Clause 10.

The waters of Lake Hindmarsh-

- (a) immediately west of the area at Four Mile Beach prescribed as prohibited areas and bounded by the Western Boundary of that area, the westerly prolongation of the northern boundary of that area and the edge of the water;
- (b) extending approximately 160 metres from the edge of the water in an area of Schulze's Beach between two lines extending westerly from two signs on the shore approximately 200 metres apart, the northernmost sign being approximately 350 metres south of the boat ramp-

are prohibited to vessels with engines used for propulsion.

#### **SCHEDULE 62**

#### **WATERS-LODDON RIVER (AT BRIDGEWATER BETWEEN FLOUR MILL WEIR AND SWEENEYS LANE)**

*Local Authority-The Committee of Management for the Bridgewater on Loddon Public Park Reserve Inc.*

1. Excluded speed limit for the purposes of Clause 3(a).

Those waters of the Loddon River not otherwise specified as being subject to a speed restriction or prohibited to boating, are not subject to the requirements of Clause 3(a) of this Notice.

2. 5 knot speed restriction zones for the purposes of Clause 7.

(1) Those waters of the Loddon River between the Flour Mill Weir and the Calder Highway Road Bridge are subject to a speed restriction of 5 knots.

(2) Those waters of the Loddon River between the Calder Highway Road Bridge and Sweeneys Lane are subject to a speed restriction of 5 knots between the following dates and times:

- (a) Between 1 December and 31 March between 7.30 p.m. and 8.30 a.m. the next morning.
- (b) During April at all times on each Wednesday and between 7.30 p.m. and 8.30 a.m. the next morning on all other days.
- (c) Between 1 May and 31 August.
- (d) Between 1 September and 31 October at all times on each Wednesday and between 5.30 p.m. and 8.30 a.m. the next morning on all other days.
- (e) During November at all times on each Wednesday and between 7.30 p.m. and 8.30 a.m. the next morning on all other days.

3. Areas prohibited to boating for the purposes of Clause 9.

Those waters of the Loddon River immediately upstream of the Flour Mill Weir and east of the island, which is marked by red buoys at its upstream limit, is prohibited to boating.

4. Areas prohibited to bathers for the purposes of Clause 12.

Those waters specified in Clause 5 are prohibited to bathers.

---



5. Exclusive and special purpose area for the purpose of Clause 13.

Those waters of the Loddon River between the Calder Highway Road Bridge and Sweeneys Lane which are not subject to a speed restriction of 5 knots are set aside for the exclusive use of water-skiing and activities associated with water-skiing.

#### **SCHEDULE 63**

#### **WATERS-LODDON RIVER, WITHIN THE SHIRE OF LODDON**

*Local Authority-Loddon Shire Council*

1. 5 knot speed restriction zone for the purposes of Clause 7.

The waters of the Loddon River that are between the Laanecoorie Reservoir wall and a line joining two speed limit notices on opposite banks of the river approximately 300 metres downstream of Janevale Bridge, Laanecoorie are subject to a speed restriction of 5 knots.

#### **SCHEDULE 64**

#### **WATERS-LAKE LEARMONTH**

*Local Authority-Ballarat City Council*

1. Access lanes for the purposes of Clause 5.

The following waters of Lake Learmonth are access lanes:

- (a) The waters within an area approximately 300 metres wide situated west of the Water Race Reserve known as Morton's Cutting;
- (b) The waters within an area approximately 314 metres wide situated south of a beacon on the rock retaining wall adjacent to the boat launching ramp on the eastern shore;
- (c) The waters within an area approximately 250 metres wide situated adjacent to the southern shore east of the inlet of an unnamed creek in the Learmonth Shore Park.

2. 5 knot speed restriction zones for the purposes of Clause 7.

The waters of Lake Learmonth-

- (a) adjacent to the eastern shore and south-east of a line across the bay adjacent to the Yacht Club clubhouse and marked by a beacon on the jetty and a beacon on the south-west shore of the bay;
- (b) within an area approximately 30 metres wide and located between the access lane and the prohibited area adjacent to the caravan park on the northern shore;
- (c) around the perimeter of the lake for a distance of 70 metres from the waters edge except in the access lanes, prohibited area and the area set aside for manually operated boats and windsurfers-

are subject to a speed restriction of 5 knots.

3. Areas prohibited to vessels for the purposes of Clause 9.

The waters of Lake Learmonth-

- (a) bounded by a line commencing at a beacon on the northern shore located 30 metres east of the Water Race Reserve known as Morton's Cutting and extending in a southerly direction for approximately 200 metres to a red buoy and thence by a line extending in a south-easterly direction for a distance of approximately 190 metres to another red buoy and thence in a northerly direction to the jetty on the northern shore;
  - (b) bounded by a line commencing at a beacon at the south-east end of the rock retaining wall and north of the boat launch ramp on the eastern shore and extending in a north-westerly direction to a red buoy and then by a line extending in a
-

northerly direction to a beacon on the north shore-  
are prohibited to vessels.

4. Prohibition on Vessels with Engines for the purposes of Clause 10.

The waters of Lake Learmonth that are between the shore and a line of yellow and red buoys located approximately 200 metres from the shore and between signposts on the shore indicating the eastern limit of the "Boating Prohibited Zone" defined in sub-item 3(a) above and the western limit of the "Boating Prohibited Zone" defined in sub-item 3(b) above, are prohibited to vessels with engines used for propulsion.

5. Direction of travel for the purposes of Clause 14.

All vessels which have an engine which is used for propulsion must proceed in a clockwise direction in relation to the approximate centre of the waters of Lake Learmonth.

#### SCHEDULE 65

### WATERS-LAANECOORIE RESERVOIR

*Local Authority-Goulburn-Murray Water*

Interpretation.

In this Schedule-

"**Circuit**" means a path commencing immediately adjacent to the eastern boundary of the access lane proceeding in a clockwise direction and terminating at the commencement point keeping at all times to the left of a line between two red and yellow buoys located in the water approximately 100 metres from the northern and southern ends respectively of the speed boating area.

"**Speed Boating Area**" means those waters of the reservoir which are not prohibited areas or on which a speed limit applies.

1. Access lane for the purposes of Clause 5.

The waters of Laanecoorie Reservoir extending approximately 30 metres from the edge of the water in an area approximately 200 metres wide located approximately 20 metres north-west of the launching ramp are an access lane.

2. 5 knot speed restriction zones for the purposes of Clause 7.

The following waters of Laanecoorie Reservoir are subject to a 5 knot speed restriction.

(1) The whole of the waters of Laanecoorie Reservoir between sunset and 10.00 a.m. on any day.

(2) The waters of Laanecoorie Reservoir-

- (a) around the perimeter of the reservoir for a distance of approximately 30 metres from the edge of the water for the time being except in the access lane and in the prohibited areas;
- (b) in Waanyarra Inlet west of a line between signs located on the foreshore each side of the entrance to the inlet;
- (c) in Bolands Lagoon south-east of a line between signs located on the foreshore each side of the entrance to the lagoon;
- (d) south of a line between a beacon located on the north shore of the reservoir approximately 60 metres north of the entrance to Waanyarra Inlet and a beacon located on the south-east shore of the reservoir approximately 180 metres south of the entrance to Bolands Lagoon.

3. Areas prohibited to vessels for the purposes of Clause 9.

The waters of Laanecoorie Reservoir-

- (a) between the dam wall and a line approximately 200 metres to the south thereof between two beacons inscribed "Stop" and "Prohibited Water Beyond This Point"
-

---

**Notice No. 1 Under S. 15(2) Marine Act 1988**

---

- and located on opposite shores of the Reservoir;
- (b) extending approximately 30 metres from the edge of the water for the time being in a swimming area approximately 60 metres wide located approximately 20 metres east of the launching ramp, the boundaries of the swimming area being marked by red buoys-

are prohibited to vessels.

4. Exclusive use and special purpose areas for the purposes of Clause 13.

The following rules must be observed in the speed boating area:

- (a) A person must not operate a vessel with an engine used for propulsion at a speed exceeding 5 knots-
- (i) when six other vessels are operating in that area apparently at a speed exceeding 5 knots; or
- (ii) for more than four circuits or, when engaged in water-skiing, for more than four circuits or for a continuous period of more than 20 minutes, when another vessel with an engine used for propulsion apparently capable of speeds in excess of 5 knots is waiting within the access lane to operate;
- (b) A person operating a vessel with an engine used for propulsion at a speed in excess of 5 knots-
- (i) must complete an entire circuit before pulling into shore; and
- (ii) must, when necessary to stop during a circuit, immediately pull in as close as is practicable to the shore, secure all equipment and proceed and complete the circuit only when it is safe to do so and so as not to impede the progress of other vessels in that area;
- (c) A person operating a vessel with an engine used for propulsion at a speed not exceeding 5 knots during the time when speeds exceeding 5 knots are permitted must not, except for the purpose of assisting a water-skier or another person in the water or for emergency reasons when it would not be practicable to complete a circuit, stop or anchor and must operate in a clockwise direction as close as practicable to the shore line;
- (d) A person operating a vessel which is manually or wind propelled during the time when speeds exceeding 5 knots are permitted must not stop or anchor or operate in a manner so as to impede the operation of other vessels.

5. Direction of travel for the purposes of Clause 14.

All vessels must proceed in a clockwise direction in relation to the approximate centre of the waters of Laanecoorie Reservoir.

**SCHEDULE 66**  
**WATERS-LAKE WALLACE**

*Local Authority-The Lake Wallace Foreshore Reserve Committee of Management Inc.*

1. 5 knot speed restriction zone for the purposes of Clause 7.

The waters of Lake Wallace west of a line the limits of which are marked by red beacons, between the lake inlet culvert towards the north east corner of Section 31 on the west shore to a point where it intersects from there along a line between the lake outlet weir and Section 9 are

---

subject to a speed restriction of 5 knots.

2. Areas prohibited to vessels for the purposes of Clause 9.

The waters of Lake Wallace on the eastern side of the pier that are within an area bounded by an imaginary line 100 metres from the shore along the pier or its extension into the lake, 60 metres at right angles to that line extending in an approximately east-north-east direction and thence extending to a position on the shore 30 metres south-westerly of the boat ramp, are prohibited to vessels.

#### **SCHEDULE 67**

##### **WATERS-YARRIAMBIAK CREEK (WITHIN THE SHIRE OF YARRIAMBIAK)**

*Local Authority-Yarriambiack Shire Council*

1. Excluded speed limit for the purposes of Clause 3(a).

Those waters of Yarriambiack Creek not otherwise specified as a 5 knot speed restriction zone are not subject to the requirements of Clause 3(a) of this notice.

2. 5 knot speed restriction zone for the purposes of Clause 7.

The waters of Yarriambiack Creek within the Township of Warracknabeal upstream from the pipeline bridge are subject to a speed restriction of 5 knots.

3. Exclusive use and special purpose area for the purposes of Clause 13.

The waters of Yarriambiack Creek downstream from the pipeline bridge to the weir on Rainbow Road are set aside for the use of vessels with engines used for propulsion and for water-skiing.

#### **SCHEDULE 68**

##### **WATERS-WIMMERA RIVER (WITHIN THE SHIRE OF HINDMARSH)**

*Local Authority-Hindmarsh Shire Council*

1. Excluded speed limit for the purposes of Clause 3(a).

Those waters of the Wimmera River within the Shire of Hindmarsh which are not otherwise specified as a 5 knot speed restriction zone are not subject to the requirements of Clause 3(a) of this notice.

2. 5 knot speed restriction zones for the purposes of Clause 7.

Those waters of the Wimmera River that are-

(a) between-

(i) a line between two chequered marker signs on opposite banks of the river at the old railway bridge; and

(ii) a line between two chequered marker signs on opposite banks of the river on the southern prolongation of the eastern boundary of Crown Allotment 7, Parish of Jeparit;

(b) between the Wimmera Street Bridge, Dimboola, and a line between two chequered marker signs on opposite banks of the river on the south-western prolongation of the north-western boundary of Crown Allotment 71, Parish of Dimboola;

(c) between two chequered marker signs on opposite banks of the river of the easterly prolongation of the northern boundary of Crown Allotment 1, Parish of Pomponderoo and two chequered marker signs on opposite banks of the river on the easterly prolongation of the southern boundary of Crown Allotment 1, Parish of Pomponderoo-

are subject to a speed restriction of 5 knots.

#### **SCHEDULE 69**

---

**WATERS-WIMMERA RIVER (WITHIN THE BOUNDARIES OF THE HORSHAM RURAL CITY)***Local Authority-Horsham Rural City Council*

1. 5 knot speed restriction zone for the purposes of Clause 7.

The waters of the Wimmera River within the boundaries of the Rural City of Horsham which lie between an imaginary line across the river 30 metres upstream from the wall of the weir, such line being marked by beacons on the opposing banks and by red buoys on the water, and an imaginary line upstream at the boundary of the Rural City of Horsham across the river, such line being marked by signs and beacons on the opposing banks, are subject to a speed restriction of 5 knots.

2. Area where vessels with engines are prohibited for the purposes of Clause 9.

The waters of the Wimmera River within the boundaries of the Rural City of Horsham upstream from the weir for a distance of 30 metres, the distance being marked by beacons on the opposing banks and by red buoys on the water are prohibited to vessels with engines used for propulsion.

3. No wash zone for the purposes of Clause 11.

The waters of the Wimmera River within the boundaries of the Rural City of Horsham are a no wash zone.

**SCHEDULE 70****WATERS-LAKE FYANS***Local Authority-Northern Grampians Shire Council*

1. Excluded speed limit for the purposes of Clause 3(a).

Those waters of Lake Fyans that are not otherwise declared to be a prohibited zone, a speed restriction zone or an exclusive or special purpose zone are not subject to the requirements of Clause 3(a) of this notice.

2. 5 knot speed restriction zones for the purposes of Clause 7.

The following waters of Lake Fyans which are not otherwise specified as a prohibited area or an exclusive use and special purpose area, are subject to a speed restriction of 5 knots.

- (a) Those waters west of a direct line commencing at Beacon No. 2 on the Main Bank and extending to Beacon No. 3 set on the southern shoreline approximately 500 metres south-east of the Inlet Channel and marked by yellow buoys.
- (b) Those waters south of a direct line commencing at Beacon No. 4 set on the southern shoreline approximately one kilometre south-east of the Inlet Channel and extending to Beacon No. 5 set on Kelly's Bank approximately 30 metres north of the pumphouse and marked by yellow buoys.
- (c) Those waters north of a direct line commencing at Beacon No. 2 on the Main Bank and extending to Beacon No. 1 set on the eastern shoreline approximately 360 metres north of the Stawell Yacht Club and marked by yellow buoys.

3. Areas prohibited to vessels for the purposes of Clause 9.

The following waters of Lake Fyans are prohibited to vessels-

- (a) Those waters that are north and east of a line commencing at Beacon No. 1 as in 2(c) above, and extending on a line north 84E west (magnetic) for 750 metres and thence north to the shore and marked by red buoys.
  - (b) Those waters that are within 100 metres of the western shore between the western limit of the area as in (a) above and the Inlet Channel.
-

**Notice Under Reg. 800(3) Marine (Fees) Regulations 1988**

- (c) Those waters that are within 100 metres of "Kelly's Bank" on the eastern shore.
- (d) Those waters that are bounded by a line commencing at the pumphouse located on Kelly's Bank Beach, thence proceeding south 85°E west (magnetic) for a distance of 200 metres, thence due south (magnetic) for a distance of approximately 230 metres and then due east (magnetic) to the shoreline and marked by red buoys.

## 4. Exclusive use and special purpose area for the purpose of Clause 13.

Those waters of Lake Fyans extending from the southern boundary of the prohibited zone in Item 3(d) above and extending for approximately 200 metres along the shore and 200 metres offshore and marked by signposts on the shore are set aside for the use of windsurfers only.

**SCHEDULE 71****WATERS-LAKE LONSDALE***Local Authority-Northern Grampians Shire Council*

## 1. Excluded speed limits for the purposes of Clause 3(a).

The waters of Lake Lonsdale that are not otherwise declared to be speed restriction zones or prohibited areas are not subject to the requirements of Clause 3(a) of this notice. 2. 5 knot speed restriction zones for the purposes of Clause 7.

The following waters of Lake Lonsdale are subject to a speed restriction of 5 knots-

- (a) south of a line commencing at a beacon located on the north-west corner of the headland at "Anthony's" on the southern shore and proceeding in a westerly direction to a beacon located on the northern end of the concrete retaining wall on the western side of the Lake excluding the waters within 100 metres of the main bank and concrete retaining wall designated as being a prohibited area;
- (b) east of a line commencing at a beacon located on the southern shore approximately one kilometre northwest of Pleasant Creek Inlet and proceeding in a northerly direction to a beacon located on the north-eastern shore;
- (c) extending approximately 50 metres from the edge of the water for the time being in an area approximately 125 metres wide and located on the northern shore adjacent to the western boundary of the swimming area and extending in a westerly direction to a point approximately 25 metres west of the launching ramp with the western and outer boundaries being marked by yellow buoys and the eastern boundary by the red buoys of the swimming area.

## 3. Areas prohibited to vessels for the purposes of Clause 9.

The following waters of Lake Lonsdale are prohibited to vessels-

- (a) within 100 metres of the main bank and concrete retaining wall on the western side of the Lake;
- (b) in a swimming area marked by red buoys extending approximately 200 metres from the edge of the water for the time being in an area approximately 200 metres wide and located adjacent to the eastern shore of the peninsula at the "Sand Bar" on the northern shore;
- (c) in a swimming area marked by red buoys and extending approximately 100 metres from the edge of the water for the time being and extending for approximately 200 metres in an easterly direction along the northern shore from a point approximately 100 metres east of the launching ramp.

**SCHEDULE 72**

**WATERS-GREEN LAKE***Local Authority-Buloke Shire Council*

## 1. Areas prohibited to vessels for the purposes of Clause 9.

(a) The waters in the south-eastern corner commencing at a point on the southern side marked by the sign "swimming area" and extending approximately 370 metres to a point on the eastern side marked by a beacon inscribed with the words "no boating" and on the water by red buoys, are prohibited to vessels.

(b) During the Easter holidays the waters in the south-western corner from a point on the southern side marked by a red buoy inscribed with the words "no boating" and extending approximately 200 metres to a point on the western side marked by a red buoy inscribed with the words "no boating", are prohibited to vessels.

**SCHEDULE 73****WATERS-GUNBOWER CREEK***Local Authority-Gannawarra Shire Council*

## 1. Excluded speed limit for the purposes of Clause 3(a).

Those waters of Gunbower Creek which are not otherwise specified as a speed restriction zone, access lane or prohibited area are not subject to the requirements of Clause 3(a) of this notice.

## 2. Access lane for the purposes of Clause 5.

The waters of the Gunbower Creek, the boundary of which are marked by buoys extending from the Northern Bank of the Gunbower Creek from a point immediately adjacent to the brick toilet block at Ski Park, and a further point 120 metres downstream from the toilet block, the area being generally adjacent to Crown Allotment 66, Parish of Cohuna, County of Gunbower, are an access lane.

## 3. 5 knot speed restriction zones for the purposes of Clause 7.

The whole of the waters of Gunbower Creek that are within the Shire of Gannawarra are subject to a speed restriction of 5 knots excepting that the speed restriction does not apply between the hours of one hour before sunrise and one hour after sunset on any day on the waters that are-

- (a) within that part of the Gunbower Creek defined by the prolongation of the property boundary between Crown Allotments 5 and 6, Section 3, Parish of Gunbower West, downstream to a point on the left bank of Gunbower Creek distant 340 metres north-westerly from the property boundary between Crown Allotments 2 and 3, Section A, Parish of Gunbower West and distant from that boundary along the creek frontage 635 metres; or
- (b) within that part of Gunbower Creek between Dalton's Bridge upstream to a point on the Gunbower Creek defined by the prolongation north-easterly of the north-western boundary of Crown Allotment 7, Section 3, Parish of Gunbower West.

## 4. Areas prohibited to vessels for the purposes of Clause 9.

The following waters of Gunbower Creek, the boundaries of which are marked by beacons on the shore-

- (a) comprising the township of Gunbower water supply area enclosed by an imaginary line along the western banks of Gunbower Creek at the junction with Taylors Creek and another imaginary line across the waterway of Taylors Creek being 100 metres southwest of the Murray Valley Highway Reserve and parallel to that reserve; or
  - (b) enclosed by an imaginary line across the waterway of Gunbower Creek located on the south-east side of the Cohuna Weir and an imaginary line across the waterway
-

**Notice Under Reg. 800(3) Marine (Fees) Regulations 1988**

---

parallel to and 128 metres distant from the north-eastern boundary of the Murray Valley Highway on a true bearing of the Murray Valley Highway Reserve at this point being 128°30' being adjacent to Crown Allotment 1 of 3 Parish of Gunbower West, County of Gunbower-

are prohibited to vessels.

5. Area where vessels with engines are prohibited for the purposes of Clause 10.

The waters of Gunbower Creek the boundaries of which are marked by beacons on the shore, enclosed by an imaginary line across the waterway of Gunbower Creek, parallel to and 128 metres distant from the north-eastern boundary of the Murray Valley Highway on a true bearing of the Murray Valley Highway Reserve at this point being 128°30' being adjacent to Crown Allotment 1 of 3 Parish of Gunbower West, County of Gunbower and a further imaginary line across the waterway of Gunbower Creek being adjacent to the northern boundary of the Cohuna Caravan Park and being a prolongation of the western boundary of Crown Allotment 1 of 3 Parish of Gunbower West and having a true bearing of 032°44', are prohibited to vessels with engines used for propulsion.

6. Exclusive use and special purpose areas for the purposes of Clause 13.

The following waters of Gunbower Creek the boundaries of which are marked by beacons on the shore are set aside for all classes of vessels:

- (a) The waters defined by the prolongation of the property boundary between Crown Allotments 5 and 6, section 3, Parish of Gunbower West, downstream to a point on the left bank of the Gunbower Creek distant 340 metres north-westerly from the property boundary between Crown Allotments 2 and 3, Section A, Parish of Gunbower West and distant from that boundary along the creek frontage 635 metres;
- (b) The waters between Dalton's Bridge upstream to a point on the Gunbower Creek defined by the prolongation north-easterly of the north-western boundary of Crown Allotment 7, Section 3, Parish of Gunbower West.

**SCHEDULE 74  
WATERS-LAKE BOGA**

*Local Authority-Swan Hill Rural City Council*

1. Access lanes for the purposes of Clause 5.

The following waters of Lake Boga are access lanes:

- (a) Approximately 200 metres wide situated adjacent to the north eastern shore approximately 50 metres east of the launching ramp;
  - (b) Approximately 200 metres wide situated adjacent to the north eastern shore approximately 150 metres south of the toilet block and approximately 450 metres north of the toilet and shower block;
  - (c) Approximately 250 metres wide situated adjacent to the south western shore approximately 220 metres south of the launching ramp;
  - (d) Approximately 170 metres wide situated adjacent to the western shore approximately 50 metres south of the boat ramp located mid way between the Lake Boga Ski Clubhouse and the Yacht Club Clubhouse;
  - (e) Approximately 375 metres wide situated adjacent to the western shore, the southern boundary of the access lane being located approximately 5 metres north of the Lake Boga Ski Clubhouse and the northern boundary of the access lane being located near
-



the channel outlet.

2. 5 knot speed restriction zone for the purposes of Clause 7.

The waters of Lake Boga within 100 metres of the water's edge, except in an access lane and in the area set aside for the water-skier racing are subject to a speed restriction of 5 knots.

3. Areas prohibited to vessels for the purposes of Clause 9.

The waters of Lake Boga extending 100 metres from the edge of the water between side boundaries, each boundary being marked on the foreshore by a beacon inscribed with the words "No Boating" and on the water by a red buoy at the following locations are prohibited to vessels:

- (a) A swimming area approximately 100 metres wide situated adjacent to the toilet block on the northern shore of the lake;
- (b) A swimming area approximately 100 metres wide situated adjacent to the toilets and shower block on the north eastern shore;
- (c) A swimming area approximately 60 metres wide situated adjacent to the south western shore approximately 120 metres south east of the launching ramp;
- (d) A swimming area approximately 60 metres wide situated adjacent to the western shore and south from the jetty.

4. Exclusive use and special purpose areas for the purposes of Clause 13.

(1) The waters of Lake Boga extending approximately 200 metres from the edge of the water in an area approximately 700 metres wide situated approximately 380 metres north of the Lake Boga Ski Clubhouse between side boundaries, each boundary being marked on the foreshore by a beacon inscribed with the words "Skier Racing Only" and on the water by a red and yellow buoy, are set aside for water-skier racing when the buoys are in place.

(2) The waters of Lake Boga extending approximately 60 metres from the edge of the water in an area approximately 210 metres wide situated adjacent to the Yacht Club Clubhouse between side boundaries, each boundary being marked on the foreshore by a beacon inscribed with the words "Sail Boating Only" and on the water by a red and yellow buoy. Provided that the waters may be used for Sea Scout Group activities and by the Yacht Club administration.

#### **SCHEDULE 75**

#### **WATERS-ALL THE WATERS WITHIN THE LAKE ALBACUTYA NATIONAL PARK**

*Local Authority-Secretary, Department of Natural Resources and Environment*

1. 5 knot speed restriction zone for the purposes of Clause 7.

Those waters of Lake Albacutya that are bound by an imaginary line commencing at the beacon situated on the foreshore approximately 60 metres east of the south-eastern corner of the toilet block, thence easterly 30 metres through a line of red buoys, thence south-westerly 200 metres through a line of yellow buoys, thence west by north through a line of yellow buoys to a beacon situated on the foreshore thence generally north-easterly via the shoreline to the point of commencement of the imaginary line, are subject to a speed restriction of 5 knots.

#### **SCHEDULE 76**

#### **WATERS-ALL WATERS WITHIN WATHE WILDLIFE RESERVE**

*Local Authority-Secretary, Department of Natural Resources and Environment*

1. Prohibition of specific activities for the purposes of Clause 12.

All of the waters within Wathe Wildlife Reserve are prohibited to all vessels with non-electric engines.

---

**SCHEDULE 77****WATERS-ALL WATERS WITHIN WYPERFELD NATIONAL PARK***Local Authority-Secretary, Department of Natural Resources and Environment*

## 1. Vessels with engines prohibited for purposes of Clause 10.

All of the waters within Wyperfeld National Park are prohibited to vessels with engines.

**SCHEDULE 78****WATERS-GREEN LAKE***Local Authority-Horsham Rural City Council***Interpretation**

In this Schedule "**outlet structure**" means the Rural Water Corporation outlet structure which is located approximately 715 metres south-east of the northern corner of Allotment 195C in the Parish of Bungalally and is the Reference Datum for all positions prescribed in the areas described in this Schedule.

**Markings**

The boundaries of all areas described in this Schedule are marked on the shore by beacons, and at the offshore extremities by buoys.

## 1. Access lanes for the purposes of Clause 5.

The waters of Green Lake-

- (a) commencing in a position 40 metres east-south-east of the outlet structure, extending for a distance of 40 metres around the water line in an east-south-easterly direction, and extending 30 metres into the water from the water line;
- (b) commencing 80 metres east-south-east of the outlet structure, extending for a distance of 150 metres around the water line in an east-south-easterly direction and extending 30 metres into the water from the water line-

are access lanes.

## 2. Areas prohibited to vessels for the purposes of Clause 9.

The waters of Green Lake commencing at a point 282 metres east-south-east of the outlet structure, extending approximately 362 metres in an east-south-easterly direction around the water line to a point 20 metres west of the projected line of the north-west boundary of Allotment 195B, Parish of Bungalally, and extending into the water to a line marked by flags which shall be approximately 100 metres out from the water line, are prohibited to vessels.

## 3. Areas where vessels with engines are prohibited for the purposes of Clause 10.

The waters of Green Lake delineated in this Schedule as being set aside for other vessels are prohibited to vessels with engines used for propulsion.

## 4. Exclusive use and special purpose areas for the purposes of Clause 13.

The waters of Green Lake-

- (a) commencing 644 metres east-south-east of the outlet structure, extending for a distance of 100 metres in an east-south-easterly direction around the water line and extending into the water to a line which is a projection of the outer limit of the prohibited area defined in Item 2 of this Schedule, are set aside for the use of sailing vessels;
  - (b) an area bounded on the north-west by the sailing vessels area defined in (a) above and on the south-west side by the projection of the outer limits of such prohibited area and of such sailing vessels area, in a south-easterly direction until it intersects the shore line, is set aside for the use of manually operated paddle boats, rowing
-

- boats and surfboards and other manually operated vessels;
- (c) the area south and east of the line commencing at the point of the intersection at the shore line of the northern boundary of Allotment 159A to a point 100 metres off-shore along the extension of the northern boundary of Allotment 159C, thence maintaining a distance of 100 metres offshore in a north-easterly direction to an intersection with the boundary of the sailing vessels area defined in (a) above, is set aside for the use of sailing vessels or manually operated fishing vessels.

**SCHEDULE 79****WATERS-LAKE CULLULLERAINE***Local Authority-Mildura Rural City Council*

1. Access lane for the purposes of Clause 5.

Those waters of Lake Cullulleraine extending approximately 200 metres from the western side of the southern pool in an area from the frontage of the Bushmans Rest Caravan Park to a point intersecting the speed restriction zone line and approximately 100 metres north of the public boat ramp and marked on the shore by signposts and on the water by green buoys, is an access lane.

2. 5 knot speed restriction zones for the purposes of Clause 7.

Exception those waters otherwise designated as an access lane, the whole of that portion of the waters of Lake Cullulleraine which lie to the southward and eastward of the imaginary line between a point marked by a beacon situated at the high water mark on the western shore of the lake approximately 110 metres to the south-west of the boat ramp and a point marked by a beacon situated at the high water mark of Johansen Point, are subject to a speed restriction of 5 knots.

**SCHEDULE 80****WATERS-ALL THE WATERS WITHIN HATTAH-KULKYNE NATIONAL PARK***Local Authority-Secretary, Department of Natural Resources and Environment*

1. Vessels with engines prohibited for the purpose of Clause 10.

All of the waters within Hattah-Kulkyne National Park are prohibited to vessels with engines used for propulsion.

**SCHEDULE 81****WATERS-HEYWOODS LAKE***Local Authority-Secretary, Department of Natural Resources and Environment*

1. Vessels with engines prohibited for the purposes of Clause 10.

All of the waters of Heywoods Lake are prohibited to vessels with engines greater than 11 kilowatts developed power.

**SCHEDULE 82****WATERS-LAKE CARPULL***Local Authority-Secretary, Department of Natural Resources and Environment*

1. Vessels with engines prohibited for the purposes of Clause 10.

All of the waters of Lake Carpull are prohibited to vessels with engines greater than 11 kilowatts developed power.

**SCHEDULE 83****WATERS-LAKE POWELL***Local Authority-Secretary, Department of Natural Resources and Environment*

---

1. Vessels with engines prohibited for the purposes of Clause 10.

All of the waters of Lake Powell are prohibited to vessels with engines greater than 11 kilowatts developed power.

#### **SCHEDULE 84**

##### **WATERS-ALL THE WATERS WITHIN KINGS BILLABONG WILDLIFE RESERVE**

*Local Authority-Secretary, Department of Natural Resources and Environment*

1. Prohibition of specific activities for the purposes of Clause 12.

All of the waters within Kings Billabong Wildlife Reserve are prohibited to all vessels with non-electric engines.

#### **SCHEDULE 85**

##### **WATERS-WARANGA BASIN**

*Local Authority-Goulburn-Murray Water*

1. Access lanes for the purposes of Clause 5.

The following waters of Waranga Basin are access lanes:

- (a) Extending approximately 200 metres from the edge of the water for the time being in an area approximately 350 metres wide located approximately 40 metres south of the gravel launching ramp adjacent to the Waranga Caravan Park on the western shore of the Basin;
- (b) Extending approximately 200 metres from the edge of the water for the time being in an area approximately 100 metres wide located approximately 40 metres south of the public launching ramp on the western shore of Sapling Point;
- (c) Extending approximately 200 metres from the edge of the water for the time being in an area approximately 150 metres wide located adjacent to the southern shore of the Waranga Boat Club peninsula;
- (d) Extending approximately 200 metres from the edge of the water for the time being in an area adjacent to the entire northern perimeter of Sapling Point except the prohibited area;
- (e) Extending approximately 200 metres from the edge of the water for the time being in an area approximately 150 metres wide located approximately 40 metres south of the public launching ramp on the eastern shore of Harriman's Point

2. 5 knot speed restriction zones for the purposes of Clause 7.

The waters of the Waranga Basin-

- (a) around the perimeter of the Basin for a distance of approximately 200 metres from the edge of the water for the time being except in the access lanes and prohibited areas;
  - (b) south of a line between a beacon erected on the northern extremity of the peninsula located one kilometre south of the launching ramp on Sapling Point and a beacon located on the western shore of Harriman's Point approximately one kilometre south of the northern extremity of the point;
  - (c) south of a line between beacons located on opposite shores of the Basin approximately 750 metres north of the point where the Cattnach Canal enters the basin except in the prohibited area;
  - (d) east of a line between a beacon located on the south-east point of Finigans Island and a beacon located on the Basin embankment approximately 750 metres west of
-

the inlet structure on the Stuart Murray Canal, except in the prohibited area are subject to a speed restriction of 5 knots.

3. Areas prohibited to vessels for the purposes of Clause 9.

The following waters of Waranga Basin are prohibited to vessels:

- (a) Extending for a distance of 40 metres south of the Basin embankment as indicated by beacons inscribed "No Boats within 40 metres of Embankment" erected on the embankment except in the 5 knot speed restriction zone in the northeast area of the Basin;
- (b) In the vicinity of the outlet structure in the north-west corner of the Basin in an area approximately 330 metres wide and extending 200 metres from the waters edge for the time being the boundaries being marked by a beacon on the embankment approximately 40 metres east of the outlet structure and another beacon on the foreshore approximately 290 metres west of the outlet structure and red buoys in the water 200 metres from the shore at right angles to the side boundary beacons and the edge of the water;
- (c) In the Waranga Western Main Channel west of a line between beacons inscribed "Stop" and "Prohibited Water Beyond this Point" located on opposite banks of the channel approximately 500 metres west of the public launching ramp into the channel;
- (d) In the Cattanach Canal south of a line between beacons inscribed "Stop" and "Prohibited Water Beyond this Point" located on opposite banks of the canal approximately 150 metres north of the inlet structure erected in the canal;
- (e) In the north-east corner of the Basin east of a line between a beacon inscribed "Stop" and "Prohibited Water Beyond this Point" erected on the southern bank of the Stuart Murray Canal approximately 40 metres west of the inlet structure and a similar beacon erected on the Basin embankment approximately 50 metres west of the inlet structure;
- (f) Extending 200 metres from the edge of the water for the time being in an area approximately 80 metres wide located adjacent to the Waranga Caravan Park on the western shore of the Basin approximately 40 metres north of the gravel launching ramp the boundaries of the swimming area being marked by red buoys in the water;
- (g) Extending 200 metres from the edge of the water for the time being in an area approximately 50 metres wide located on the western shore of Sapling Point immediately north of the southern boundary of the Victorian Kite Flyers lease area, the boundaries of the swimming area being marked by red buoys in the water.

#### SCHEDULE 86

#### WATERS-LAKE MULWALA (INCLUDING THE OVENS RIVER BELOW THE ROAD BRIDGE AT THE MURRAY VALLEY HIGHWAY)

*Local Authority-Goulburn-Murray Water*

Interpretation

In this Schedule-

**"Ovens River"** means the main channel of the Ovens River and all anabranches and lagoons connecting to the main channel when Lake Mulwala is at full supply level upstream from the junction of the Murray River and Ovens River to a point where the Murray Valley Highway crosses the Ovens River.

---

1. Excluded speed limits for the purposes of Clause 3(a).

The waters of Lake Mulwala and the Ovens River are not subject to the requirements of Clause 3(a) of this notice.

*Zone A-Those Waters of Lake Mulwala Adjacent to Yarrowonga Foreshore*

2. Access Lane for the purposes of Clause 5.

The waters of Lake Mulwala extending approximately 60 metres from the waters edge between the two 4 knot speed limit zones located adjacent to the Yarrowonga foreshore and east of the Yarrowonga-Mulwala Road Bridge are an access lane.

3. 4 knot speed restriction zones for the purposes of Clause 7.

The following waters of Lake Mulwala adjacent to the Yarrowonga foreshore are subject to a speed restriction of 4 knots.

- (a) (i) The waters bounded by the shore and the rock retaining wall adjacent to the Yarrowonga-Mulwala Road Bridge and a line commencing at a speed limit notice situated on that wall and extending approximately 193 metres in an easterly direction through a number of yellow buoys situated approximately 60 metres from the edge of the water thence extending through a yellow buoy to a speed limit notice on the shore;
- (ii) The waters bounded by the shore and a line commencing at a speed limit notice on the shore and situated approximately 60 metres east of the main swimming pool structure and extending approximately 60 metres from the waters edge in a northerly direction to a yellow buoy thence extending for approximately 245 metres in a westerly direction through a number of yellow buoys situated approximately 60 metres from the waters edge thence extending in a southerly direction to a speed limit notice on the shore;
- (b) Those waters that are within 30 metres radius of the waters edge at the boat-ramp located at the southern end of the Yarrowonga Foreshore and approximately 30 metres east of the prolongation of Ely Street.

*Zone B-Those Waters of Lake Mulwala in a Bay West of Rams Head Adjacent to the Yarrowonga Yacht Club*

4. 4 knot speed restriction zone for the purposes of Clause 7.

Those waters of Lake Mulwala bounded by the shore and a line commencing at a speed limit notice on the shore approximately 30 metres west of the public launching ramp situated west of the Yarrowonga Yacht Club and extending approximately 30 metres from the waters edge in a northerly direction to a yellow buoy thence in a north-easterly direction through a number of yellow buoys to a speed limit notice situated on the peninsula known as Rams Head are subject to a speed restriction of 4 knots.

*Zone C-Those Waters of Lake Mulwala in the Large Bay on the Eastern Side of Yarrowonga Rowing Club and the Rowing Course*

5. Exclusive Use and Special Purpose Area for the purposes of Clause 13.

Those waters of Lake Mulwala in the large bay on the eastern side of the Yarrowonga Rowing Club and the Rowing Course are set aside for rowing. Any person operating any other type of vessel in this area must keep 30 metres clear of a rowing vessel and must not create a wash which

---

may adversely interfere with the operation of rowing vessels.

*Zone D-Those Waters of Lake Mulwala that are Adjacent to Hogans Road Recreational Area*

6. 4 knot speed restriction for the purposes of Clause 7.

Those waters of Lake Mulwala that are within 30 metres radius of the waters edge at the boat ramps at Hogans Road Recreational Area are subject to a speed restriction of 4 knots.

*Zone E-Those Waters of Lake Mulwala that are Adjacent to Woodlands Subdivision*

7. 4 knot speed restriction for the purposes of Clause 7.

Those waters of Lake Mulwala that are within 30 metres radius of the waters edge at the boat ramp adjacent to the Woodlands Subdivision are subject to a speed restriction of 4 knots.

*Zone F-Those Waters of Lake Mulwala that are adjacent to the Ski Land Motel At Bathumi*

8. 4 knot speed restriction zone for the purposes of Clause 7.

Those waters that are within 30 metres radius of the waters edge at the boat ramp adjacent to the Ski Land Motel are subject to a speed restriction of 4 knots.

9. Exclusive use and special purposes areas for the purposes of Clause 13.

- (a) A person operating a vessel with an engine used for propulsion at a speed in excess of 10 knots must proceed in a generally easterly direction along the anabranch from the westerly junction to the easterly junctions with the main Stream of the Murray River.
- (b) A person operating a vessel with an engine used for propulsion must not operate the vessel at a speed in excess of 20 knots when not towing a water-skier.
- (c) A person operating a vessel with an engine used for propulsion which is entering into or departing from the anabranch must give right of way to all other vessels.
- (d) A person operating a vessel at a speed in excess of 10 knots must only enter the anabranch at the western opening to the Murray River.
- (e) A person operating a vessel at a speed in excess of 10 knots must only depart the anabranch at either of the eastern openings to the Murray River.
- (f) A person operating a vessel in the slalom course area must-
  - (i) keep clear of vessels using the slalom course; and
  - (ii) give way to all vessels when departing from the slalom course area.

*Zone G-Those Waters of Lake Mulwala that are Adjacent to the Majors Lane Recreational Area and those Waters known as Bourke Street Channel*

10. 4 knot speed restriction for the purposes of Clause 7.

Those waters of Lake Mulwala that are within 30 metres radius of the waters edge at the boat ramps at Majors Lane Recreational Reserve are subject to a speed restriction of 4 knots.

11. 10 knot speed restriction for the purposes of Clause 7.

Those waters of Lake Mulwala known as Bourke Street Channel between notices located at the western and at the eastern entrances are subject to a speed restriction of 10 knots.

12. Areas where water-skiing is prohibited for the purposes of Clause 8.

The waters of Lake Mulwala known as the Bourke Street Channel are prohibited to water-skiers.

*Zone H-Those Waters of Lake Mulwala at Bundalong Adjacent to Phalaris Lane and Graham Avenue*

---

---

**Notice Under Reg. 800(3) Marine (Fees) Regulations 1988**

---

**Interpretation**

In Items 13, 14 and 15 **"lagoon"** means those Victorian waters at Bundalong in the branch adjacent to Phalaris Lane and Graham Avenue.

13. 4 knot speed restriction zone for the purposes of Clause 7.

Those waters of the lagoon that are-

- (a) in an area approximately 10 metres wide extending across the lagoon at the eastern end of Phalaris Lane and marked by speed limit notices on opposite shores of the lagoon and yellow buoys in the water between the speed limit notices;
- (b) in an area approximately 10 metres wide extending across the lagoon at the eastern end of Graham Avenue and marked by speed limit notices on opposite shores of the lagoon and yellow buoys in the water between the speed limit notices-

are subject to a speed limit restriction of 4 knots.

14. 10 knot speed restriction for the purposes of Clause 7.

The waters of the lagoon are subject to a speed restriction of 10 knots for vessels with an engine used for propulsion when not towing a water-skier.

15. Exclusive use and Special Purpose Areas for the purposes of Clause 13.

- (a) A person operating a vessel with an engine used for propulsion when towing a water-skier-
  - (i) must when departing from shore on the eastern side of Goughs Lane depart in an anti-clockwise direction complete a "U" turn when safe to do so and immediately proceed to the central exit and depart from the lagoon;
  - (ii) must when departing from shore on the western side of Goughs Lane depart from shore in an anti-clockwise direction complete a "U" turn when safe to do so and immediately proceed to the exit at the western end of Phalaris Lane and depart from the lagoon;
  - (iii) must when entering the lagoon at the central entrance proceed directly to the shore on the eastern side of Goughs Lane and drop off the water-skier;
  - (iv) must when entering the lagoon at the western end of Phalaris Lane proceed directly to the shore on the western side of Goughs Lane and drop off the water-skier;
  - (v) must when it is necessary to stop immediately pick up the water-skier, secure all equipment, pull in as close as practical to the shore and only proceed when safe to do so.
- (b) A person operating a vessel when departing from the lagoon at either exit point must give way to all vessels entering the lagoon or proceeding past the exit points.
- (c) The branch off the lagoon on the north side adjacent to Graham Avenue is set aside for slalom and ski-jumping and for vessels not exceeding 10 knots provided they stay clear of any vessel using the slalom course or ski jump and do not create a wash which could adversely interfere with a vessel using the slalom course or ski jump.

*Zone I-The Waters of the Ovens River at Bundalong*

16. 10 knot speed restriction for the purposes of Clause 7.

The waters of the Ovens River, its branches and anabranches excluding the main river channel of the Ovens River from the junction of the Murray River and Ovens River upstream for a distance of approximately 4-5 kilometres to a point marked by beacons inscribed "10 KNOT SPEED LIMIT" "NO WATER SKIING BEYOND THIS POINT", are subject to a speed restriction of

---



10 knots.

17. Water-Skiing Prohibited for the purposes of Clause 8.

Those waters of the Ovens River that are within 15 metres of a launching ramp are prohibited to water-skiing and to boats towing a water-skier.

18. Exclusive use and Special purposes area for the purposes of Clause 13.

- (a) A person operating a vessel on the waters of the Ovens River on which water skiing is permitted must not when not towing a water-skier operate at a speed exceeding 20 knots;
- (b) A person operating a vessel in the water of the Ovens River which is subject to a speed restriction of 10 knots must give way to all other vessels when entering the water area on which water-skiing is permitted.

### **SCHEDULE 87**

#### **WATERS-LAKE MOKOAN**

##### *Local Authority-Goulburn-Murray Water*

1. Access lane for the purposes of Clause 5.

The waters of Lake Mokoan extending approximately 100 metres from the edge of the water for the time being in an area approximately 300 metres wide and located approximately 35 metres east of the public launching ramp on the northern shore are an access lane.

2. 5 knot speed restriction zones for the purposes of Clause 7.

The waters of Lake Mokoan between the shore and a line passing through signs affixed to trees around the perimeter of the large open water area except in the access lane and in the prohibited areas are subject to a speed restriction of 5 knots.

3. Areas prohibited to vessels for the purposes of Clause 9.

The waters of Lake Mokoan-

- (a) between the dam wall and a line located approximately 200 metres east thereof and defined by a line of red buoys;
  - (b) south of a line between beacons inscribed "Stop No Boats" located on the shore on each side of the inlet channel where the channel enters the south-west corner of the lake;
  - (c) north of a line between beacons inscribed "Stop No Boats" located on opposite shores of the southern boundary of the wildlife breeding area in the north-west corner of the lake;
  - (d) extending approximately 100 metres from the edge of the water for the time being in a swimming area approximately 60 metres wide located adjacent to the northern shore approximately 200 metres west of the public launching ramp the boundaries of the swimming area being marked by red buoys;
  - (e) extending approximately 100 metres from the edge of the water for the time being in a swimming area approximately 120 metres wide located adjacent to the northern shore approximately 380 metres east of the public launching ramp, the boundaries of the swimming area being marked by red buoys;
  - (f) extending approximately 60 metres from the edge of the water for the time being in a swimming area approximately 40 metres wide located adjacent to the western boundary of the Mokoan Aquatic Club area on the northern shore, the boundaries of the swimming area being marked by red buoys-are prohibited to vessels.
-

**SCHEDULE 88****WATERS-GOULBURN RIVER UPSTREAM OF GOULBURN WEIR WITHIN THE SHIRE OF MITCHELL AND MURRINDINDI**

*Local Authority-Goulburn Broken Catchment Management Authority*

1. 10 knot speed restriction zones for the purposes of Clause 7.

The waters of the Goulburn River within the Shire of Mitchell are subject to a speed restriction of 10 knots.

2. Prohibition on vessels with engines for the purposes of Clause 10.

The whole of the waters of the Goulburn River within the Shire of Murrindindi are prohibited to vessels with engines used for propulsion where the engines exceed 12 kilowatts developed power.

3. No wash zones for the purposes of Clause 11.

The waters of the Goulburn River within the Shires of Mitchell and Murrindindi are a no wash zone.

**SCHEDULE 89****WATERS-LAKE CATANI (MOUNT BUFFALO NATIONAL PARK)**

*Local Authority-Secretary, Department of Natural Resources and Environment*

1. Vessels with engines prohibited for the purposes of Clause 10.

All of the waters of Lake Catani are prohibited to vessels with engines used for propulsion.

**SCHEDULE 90****WATERS-LAKE EILDON AND EILDON PONDAGE**

*Local Authority-Goulburn-Murray Water*

1. Excluded speed limits for the purposes of Clause 3(a).

The waters of Lake Eildon are not subject to the requirements of Clause 3(a) of this Notice.

2. 5 knot speed restriction zones for the purposes of Clause 7.

The following waters of Lake Eildon are subject to a 5 knot speed restriction:

- (a) *Public Boat Harbour*-South of a line between two beacons located on opposite shores of the Harbour;
  - (b) *Point Worner Bay*-South west of a line between two beacons located on opposite shores of the Bay;
  - (c) *Anderson Harbour*-South of a line between two beacons located on opposite shores at the entrance to the Harbour;
  - (d) *Spade Cove*-South west of a line between two beacons located on opposite shores at the entrance to the Cove;
  - (e) *Taylor Bay*-South of a line between two beacons located on opposite shores within the Bay;
  - (f) *Barkers Cove*-West of a line between two beacons located on opposite shores of the Cove;
  - (g) *Boite Bay*-East of a line of yellow buoys situated adjacent to the eastern shore of the left arm of the Bay;
  - (h) *Coller Bay*-West of a line between two beacons located on opposite shores within the Bay;
  - (i) *Aird Inlet*-West of a line between two beacons located on opposite shores within the
-

---

**Notice No. 1 Under S. 15(2) Marine Act 1988**

---

- inlet;
- (j) *Bonnie Doon Area*
- (i) *Sunset Strip*-South of a line of yellow buoys situated in the bay on the western shore approximately north-east of Sunset Strip Road and approximately 1 kilometre south of the Maroondah Highway Bridge;
  - (ii) *Public Boat Ramps*-Extending approximately 30 metres from the edge of the water for the time being in an area approximately 30 metres wide with the centre of the outward boundary being marked by one yellow buoy in the water immediately in front of the two launching ramps on the south side of the Maroondah Highway Bridge;
  - (iii) *Highway and Railway Bridges*-Within 30 metres of both the Highway and Railway Bridge;
  - (iv) *Brankeet Inlet*-West of a line between two beacons located on opposite shores of the Inlet west of the Bonnie Doon Caravan Park;
  - (v) *Glen Inlet*-North east of a sign located on the western side of the Dry Creek Road bridge crossing the Inlet;
  - (vi) *Hutchinsons Road*-North of a line between two yellow buoys located in the small bay situated on the eastern shore adjacent to Hutchinsons Road and approximately 600 metres south of the Maroondah Highway Bridge;
  - (vii) *Lakeside Caravan Park*:
    - (a) South-east of a line between two yellow buoys located in the small inlet immediately north of the caravan park;
    - (b) South-east of a line between two yellow buoys located in the inlet immediately in front of the caravan park;
  - (viii) *Hutchinsons Road and James Street*-South of a line between two or more yellow buoys located in the bay to the east of the Lakeside Caravan Park and north of the junction of Hutchinsons Road and James Street;
- (k) *Ford Inlet*-North east of a line between two beacons located on opposite shores within the inlet;
- (l) *Walsh Cove*-South of a line between two beacons located on opposite shores within the cove;
- (m) *Woolshed Inlet*-East of a line between two beacons located on opposite shores within the inlet;
- (n) *Gough Bay*-
- (i) *Main Bay*-North of a line between two beacons located on opposite shores at the entrance to the bay;
  - (ii) *Mansfield Boat and Yacht Club Bay*-North of a line between two beacons located on opposite shores within the bay;
- (o) *Macs Cove*-North of a line between two beacons located on opposite shores at the entrance to the cove;
- (p) *Howqua Inlet*-East of a line between two beacons located on opposite shores of the inlet east of Macs Cove excluding the area east of the Mansfield-Jamieson Road bridge which is prohibited to vessels with engines used for propulsion;
- (q) *Goulburn Inlet*-South of a line between two beacons located on opposite shores within the inlet;
- (r) *Big River Inlet*-South of a line between two beacons located on opposite shores
-

**Notice Under Reg. 800(3) Marine (Fees) Regulations 1988**

---

within the inlet;

- (s) *Wilson Creek Inlet*-South of a line between two beacons located on opposite shores at the entrance to the inlet;
- (t) *Jerusalem Creek Inlet*-South of a line between two beacons located on opposite shores within the inlet;
- (u) *Gerraty Bay*-North-west of a line between two beacons located on opposite shores of the bay.

3. Areas prohibited to vessels for the purposes of Clause 9-

- (a) *Eildon Pondage*-The whole of the waters of the Eildon Pondage are prohibited to vessels.
- (b) *Lake Eildon*-The following waters of Lake Eildon are prohibited to vessels:
  - (i) *Spillway Cut*-The waters of the Spillway Cut from the northern face of the spillway structure for a distance of approximately 200 metres in a northerly direction to a line between two beacons inscribed "Stop" and "Prohibited Water-No Entry At Any Time" located on opposite shores of the Spillway Cut;
  - (ii) *Outlet Tower*-The waters of Lake Eildon for a radius of 60 metres around the outlet tower;
- (c) *Coller Bay*-in a swimming area located in Devils Cove adjacent to the western shore of Coller Bay and west of a line between red buoys situated across the western portion of the bay;
- (d) *Bonnie Doon*-Extending approximately 40 metres from the edge of the water for the time being in a swimming area approximately 60 metres wide and located on the western shore of the Brankeet Arm approximately 300 metres south of the Maroondah Highway Bridge, the boundaries of the swimming area being marked by red buoys.

4. Areas prohibited to vessels with engines for the purposes of Clause 10.

The waters of Lake Eildon within the Howqua Inlet upstream of beacon inscribed "No Power Boats" located on the downstream face of the Jamieson-Mansfield Road bridge are prohibited to vessels with engines used for propulsion.

5. No wash zones for the purposes of Clause 11.

The following waters of Lake Eildon are no wash zones:

- (a) within 40 metres of the houseboats or cabin cruisers moored to marinas or on swing moorings at the following locations:
    - (i) adjacent to Home Point Marina in the Brankeet Arm;
    - (ii) adjacent to Peppin Point Holiday Park in the Brankeet Arm;
    - (iii) adjacent to the Lake Eildon Country Club in Ford Inlet;
    - (iv) adjacent to the Mansfield Boat and Yacht Club at Goughs Bay in the Goulburn Arm;
    - (v) within Frys Bay in the Goulburn Arm;
    - (vi) adjacent to the Howqua Valley Caravan Park in Howqua Inlet;
    - (vii) adjacent to the Darlingford Waters Boat Club in Jerusalem Creek Inlet;
    - (viii) adjacent to the eastern shore of Jerusalem Creek Inlet;
  - (b) within 40 metres of the houseboat sewerage barges at the following locations:
    - (i) adjacent to Peppin Point Holiday Park in the Brankeet Arm;
    - (ii) adjacent to Home Point Marina in the Brankeet Arm;
-

- (iii) adjacent to the Lake Eildon Country Club in Ford Inlet;
- (c) within 60 metres of the main embankment at the outlet tower, in a line from the outlet tower to Point Dethridge as marked by red and yellow buoys.

**SCHEDULE 91****WATERS-THE GOULBURN RIVER FROM HUGHES CREEK TO GOULBURN WEIR  
INCLUDING LAKE NAGAMBIE***Local Authority-Strathbogie Shire Council*

1. Access lanes for the purposes of Clause 5.

The following waters of Lake Nagambie are access lanes:

- (a) Approximately 120 metres wide situated approximately 90 metres south of the launching ramp at the camping area on the western shore of the lake;
- (b) An area approximately 120 metres wide situated at Sandy Point on the eastern side of the creek at Buckley Park on the southern shore of the lake.

2. 5 knot speed restriction zones for the purposes of Clause 7.

The waters of the Goulburn River from Hughes Creek to the Goulburn Weir including Lake Nagambie-

- (a) within the main channel between Lobbs Lane and a line approximately 400 metres downstream from Chinaman's Bridge between two signs on opposite shores;
- (b) between a line extending east-west across the reservoir between a sign or beacon situated on the west bank approximately 280 metres south of the Cattanach Canal Offtake and a sign or beacon on the opposite bank, and all waters north of such line to the prohibited area at the weir;
- (c) within Lake Nagambie east of a line from Lobb's Point to Hutton's Point;
- (d) within the main channel between a yellow buoy situated approximately 200 metres upstream from the monument at the Mitchelton Winery Landing and a yellow buoy situated approximately 200 metres downstream from such monument-

are subject to a speed restriction of 5 knots.

3. 10 knot speed restriction zone for the purposes of Clause 7.

The waters of the Goulburn River between Lobb's Lane and Kirwan's Bridge are subject to a speed restriction of 10 knots.

4. Areas where water-skiing is prohibited for the purposes of Clause 8.

Goulburn River

The waters of the Goulburn River-

- (a) between Lobb's Lane and Kirwan's Bridge; and
- (b) between Hughes Creek and a line approximately 400 metres downstream from Chinaman's Bridge marked by two signs on opposite shores-

are prohibited to water-skiers and vessels towing water-skiers.

5. Areas where vessels are prohibited for the purposes of Clause 9.

The following waters of the Goulburn River from Hughes Creek to the Goulburn Weir including Lake Nagambie are prohibited to vessels:

- (a) Between the weir on the Goulburn River and a line approximately 200 metres upstream therefrom between two beacons on opposite shores marked "Stop" and "Prohibited Water Beyond This Point";
  - (b) Within approximately 90 metres of the Cattanach Canal Offtake and the East Goulburn Channel Offtake;
-

---

**Notice Under Reg. 800(3) Marine (Fees) Regulations 1988**

---

- (c) Lake Nagambie in the vicinity of the swimming pool, extending approximately 45 metres from the edge of the water for the time being between side boundaries marked by two beacons or signs situated at the eastern and western ends of the Buckley Park Reserve with the seaward extremities being marked by red buoys;
- (d) Lake Nagambie within approximately 45 metres of a sign bearing the inscription "Swimming Area", located near the western end of River Street, with the seaward extremities being marked by red buoys;
- (e) Lake Nagambie within approximately 45 metres of a sign bearing the inscription "Swimming Area", located on the western shore of the lake between the launching ramp and access lane at the camping area, with the seaward extremities being marked by red buoys;
- (f) Lake Nagambie within approximately 45 metres of a sign bearing the inscription "Swimming Area" located on the north-eastern shore of the lake at the western end of Lake Road, with the seaward extremities being marked by red buoys.

6. Area where vessels with engines are prohibited for the purposes of Clause 10.

**Lake Nagambie**

The waters of Lake Nagambie in the vicinity of the park known as Jacobson's Outlook, extending approximately 50 metres from the edge of the water for the time being between side boundaries marked by two signs or beacons situated at the northern and southern ends of the said park with the seaward extremities being marked by red buoys, are prohibited to vessels with engines used for propulsion.

7. Exclusive use and special purpose areas for the purposes of Clause 13.

**Lake Nagambie**

The waters of Lake Nagambie enclosed by the following boundaries are set aside for the use of racing shells engaged in or practising at competitive rowing between the hours of 5.30 p.m. and 7.30 p.m. from Monday to Friday and 8.00 am. and 10.00 a.m. on Sunday.

Commencing at a point marked by a red buoy approximately 50 metres offshore from a beacon located at the western end of the Buckley Park Reserve; thence by a line in a north-westerly direction for approximately 900 metres to a beacon on the eastern point of an island off Lobb's Point; thence in a north-westerly direction along the shore of the island to a beacon on the northernmost point of the island; thence by a line in a westerly direction for approximately 60 metres to a beacon on the shore of another island; thence generally northerly around the coast of that island for approximately 60 metres to a beacon on the northernmost point of that island thence north-easterly for approximately 300 metres to a beacon on the shore of Lake Nagambie near the western end of Lobb's Lane; thence by a line to a beacon on Lobb's Point; thence by a line to a point marked by a yellow buoy approximately 50 metres west of Hutton's Point; thence by a line to a point marked by a yellow buoy approximately 150 metres west of Jacobson's Outlook; thence in a south-westerly direction by a line to the point of commencement.

**Goulburn River**

(1) The waters of the Goulburn River at Nagambie between Crown Allotment 11A and Crown Allotment 41B in the Parish of Mitchell and marked at each end by a notice are set aside for water-skiing from 1 November until 30 April each year on the days and times set out in (2) below.

(2) (a) Between 1 November and 31 March each year-

- (i) on Saturdays, Sundays and Public Holidays from 1.00 p.m. to 7.30 p.m.;
  - (ii) from Monday to Friday (excluding Public Holidays) from 4.30 p.m. to 7.30
-

- p.m.;
- (b) Between 1 April and 30 April each year-
- (i) on Saturdays, Sundays and Public Holidays from 1.00 p.m. to 6.00 p.m.;
  - (ii) from Monday to Friday (excluding Public Holidays) from 4.00 p.m. to 6.00 p.m.
- (3) Persons using waters set aside under (1) above must be a member of the Nagambie Water Ski Club.
- (4) A vessel, other than those involved with water-skiing referred to in (1) above may transit the defined area.
- (5) The Strathbogie Shire Council may impose further conditions upon the Nagambie Water Ski Club in the interests of safe boating.

#### **SCHEDULE 92**

##### **WATERS-LAKE WILLIAM HOVELL**

*Local Authority-Goulburn-Murray Water*

1. 5 knot speed restriction zone for the purposes of Clause 7.  
The whole of the waters of Lake William Hovell except in the prohibited area are subject to a speed restriction of 5 knots.
2. Area prohibited to vessels for the purposes of Clause 9.  
The waters of Lake William Hovell between the dam wall and a line between two beacons inscribed "Stop" and "Prohibited Water Beyond This Point" the beacon on the western shore being located approximately 300 metres south of the dam wall and the beacon on the eastern shore being located approximately 100 metres south of the dam wall, are prohibited to vessels.
3. Prohibition on vessels with engines for the purposes of Clause 10. The whole of the waters of Lake William Hovell are prohibited to all vessels with engines used for propulsion where the engines are capable of exceeding 8 kilowatts developed powers.

#### **SCHEDULE 93**

##### **WATERS-LAKE BENALLA-BROKEN RIVER**

*Local Authority-Delatite Shire Council*

1. Vessels with engines prohibited for the purposes of Clause 10.  
The whole of the waters of Lake Benalla-Broken River between Ackerly Avenue and a projection of the north boundary of Arundel Street to Parkview Parade, as marked by beacons on the banks are prohibited to vessels with engines used for propulsion.

#### **SCHEDULE 94**

##### **WATERS-LOCH GARRY**

*Local Authority-Goulburn-Murray Water*

1. 5 knot speed restriction zones for the purposes of Clause 7.  
The whole of the waters of Loch Garry except in the prohibited areas are subject to a 5 knot speed restriction.
  2. Areas prohibited to vessels for the purposes of Clause 9:
    - (a) The whole of the waters of Loch Garry when the Goulburn River has exceeded the eleven metres level at the Shepparton Gauge and the bars have been removed from the Regulator of Loch Garry; and
    - (b) the waters of Loch Garry which are west of a line between a beacon inscribed
-

“Stop” and “Prohibited Water Beyond this Point” located on the levee bank approximately 30 metres north-west of the regulator and a similar beacon located on the levee bank approximately 30 metres south-east of the said regulator-are prohibited to vessels.

Prohibition on vessels with engines for the purposes of Clause 10. The whole of the waters of Loch Garry are prohibited to all vessels with engines used for propulsion where the engines are capable of exceeding 7.5 kilowatts developed power.

## SCHEDULE 95 WATERS-LAKE HUME

### *Local Authority-Goulburn-Murray Water*

1. Excluded speed limits for the purposes of Clause 3(a).

The waters of Lake Hume are not subject to the requirements of Clause 3(a) of this notice.

1A. Access lane for the purposes of Clause 5.

- (i) At Kookaburra Point those waters within 60 metres of the waters edge for the time being between 30 metres and 120 metres east of the boat ramp and marked by beacons on the shore and green buoys in the water are an access lane;
- (ii) At Ludlows Reserve those waters within 60 metres of the waters edge for the time being between 310 metres and 560 metres south of the boat ramp and marked by beacons on the shore and green buoys in the water are an access lane.

2. 5 knot speed restriction zones for the purposes of Clause 7.

The waters of Lake Hume-

- (a) in the bay immediately south of Jackson's Point Reserve west of a line between two beacons located on opposite shores at the entrance to the bay;
  - (b) in the bay immediately north of Kookaburra Point Reserve west of a line between two beacons located on opposite shores near the entrance to the bay;
  - (c) in the bay immediately south of Kookaburra Point Reserve west of a line between two beacons located on opposite shores near the entrance to the bay, except all those waters within the bay which are prohibited areas;
  - (d) extending approximately 60 metres from the edge of the water for the time being in an area approximately 40 metres wide with the centre of the outward boundary being marked by one yellow buoy in the water immediately in front of the launching ramps at the following locations:
    - (i) adjacent to the southern point of Kookaburra Point Reserve;
    - (ii) adjacent to the Tallangatta Recreation Reserve;
    - (iii) adjacent to Ebdon Reserve;
  - (e) extending approximately 60 metres from the edge of the water for the time being in two areas approximately 20 metres wide and situated-
    - (i) adjacent to the eastern boundary of the swimming area adjacent to the Tallangatta Caravan Park; and
    - (ii) adjacent to the western boundary of the swimming area adjacent to the Tallangatta Caravan Park, the boundaries of each area furthest from the swimming area being marked by a yellow buoy in the water;
  - (f) in the bay adjacent to the western shore of the Tallangatta Recreation Reserve approximately 150 metres south of the swimming area and south of a line between two beacons located on opposite shores at the entrance to the bay;
-



**Notice No. 1 Under S. 15(2) Marine Act 1988**

---

- (g) in the bay adjacent to the eastern shore of the Tallangatta Recreation Reserve approximately 600 metres east of the public launching ramp and south-west of a line between two beacons located on opposite shores within the entrance to the bay;
- (h) in Bethanga Bay north-west of a line between beacons located on the foreshore on each side of the entrance to the bay-

are subject to a 5 knot speed restriction.

**3. Areas prohibited to vessels for the purposes of Clause 9.**

The waters of Lake Hume-

- (a) between the dam wall and a line approximately 200 metres to the south thereof passing through a beacon inscribed "Stop" and "Prohibited Water Beyond this Point" on the Victorian shore and red buoys in the water;
- (b) in a swimming area located in the large central bay adjacent to the southern shore of Kookaburra Point Reserve and north of a line between two beacons inscribed "Swimming Area" located on opposite shores at the entrance to the bay;
- (c) in a swimming area located in the bay adjacent to the south-west shore of Kookaburra Point Reserve and north of a line between two beacons inscribed "Swimming Area" located on opposite shores of the bay;
- (d) extending approximately 60 metres from the edge of the water for the time being between side boundaries marked by two red buoys at the following locations:
  - (i) in a swimming area approximately 40 metres wide on the northern shore of Scotchman's Point;
  - (ii) in a swimming area approximately 80 metres wide located approximately 25 metres north-west of the public launching ramp at Ebden Reserve;
  - (iii) in a swimming area approximately 150 metres wide located approximately 25 metres north of the public launching ramp at Ludlow's Reserve; and
  - (iv) in a swimming area approximately 130 metres wide located approximately 20 metres west of the concrete retaining wall adjacent to the Tallangatta Caravan Park-

are prohibited to vessels.

**SCHEDULE 96****WATERS-LAKE BUFFALO**

*Local Authority-Goulburn-Murray Water*

**1. Access lanes for the purposes of Clause 5.**

The waters of Lake Buffalo-

- (a) extending approximately 60 metres from the edge of the water for the time being in an area approximately 200 metres wide located approximately 10 metres east of the public launching ramp on the northern shore;
- (b) extending approximately 60 metres from the edge of the water for the time being in an area approximately 120 metres wide located approximately 10 metres west of the public launching ramp on the northern shore of Marshall's Ridge-

are access lanes.

**2. 5 knot speed restriction zones for the purposes of Clause 7.**

The waters of Lake Buffalo-

- (a) around the perimeter of the Lake for a distance of 60 metres from the edge of the water for the time being except in the access lanes and prohibited areas;
-

**Notice Under Reg. 800(3) Marine (Fees) Regulations 1988**

- (b) in the Yarrabula Creek Arm east of a line between two beacons located on opposite shores at the entrance to the narrow section of the Arm;
- (c) in the Croppers Creek Arm west of a line between beacons located on opposite shores at the entrance to the Arm;
- (d) in the Buffalo River Arm south of a line between beacons located on opposite shores approximately one kilometre south of Marshall's Ridge-

are subject to a speed restriction of 5 knots.

3. Areas prohibited to vessels for the purposes of Clause 9.

The waters of Lake Buffalo-

- (a) between the dam wall and a line approximately 200 metres to the south thereof between two beacons inscribed "Stop" and "Prohibited Water Beyond this Point" located on opposite shores of the Lake;
- (b) extending approximately 60 metres from the edge of the water for the time being in an area approximately 100 metres wide located approximately 50 metres south of the prohibited area adjacent to the dam wall, the boundaries of the swimming area being marked by red buoys in the water;
- (c) extending 60 metres from the edge of the water for the time being in an area approximately 50 metres wide located approximately 10 metres east of the public launching ramp on the north shore of Marshalls Ridge, the boundaries of the swimming area being marked by red buoys in the water-

are prohibited to vessels.

**SCHEDULE 97****WATERS-LAKE NILLAHCOOTIE**

*Local Authority-Goulburn-Murray Water*

1. Excluded speed limits for the purposes of Clause 3(a).

The waters of Lake Nillahcootie that are not otherwise declared to be speed restriction zones or prohibited areas are not subject to the requirement of Clause 3(a) of this notice.

2. 5 knot Speed Restriction Zones for the purposes of Clause 7.

The waters of Lake Nillahcootie:

- (a) in Sandy Creek Arm west of a line between two beacons located on opposite shores of the Lake and 20 metres downstream from the road bridge on the Midland Highway;
- (b) in the southern portion of the lake south of a line between two beacons located on opposite shores of the lake approximately 3 kilometres south of Sandy Creek Arm;
- (c) within 30 metres of the boat launching ramp;

are subject to a speed restriction of 5 knots.

3. Areas prohibited to vessels for the purposes of Clause 9.

The waters of Lake Nillahcootie:

- (a) between the dam wall and a line approximately 200 metres to the south thereof between two beacons inscribed "Stop" and "Prohibited Water Beyond this Point" located on opposite shores of the Lake;
- (b) in a swimming area located in the small bay adjacent to western shore of the lake and approximately 70 metres north of the boat launching ramp, the boundaries of the swimming area marked by red buoys;

are prohibited to vessels.

**SCHEDULE 98****WATERS-KIEWA AND RUBICON****HYDRO ELECTRIC SCHEME WATERS INCLUDING ROCKY VALLEY DAM,  
PRETTY VALLEY DAM, JUNCTION DAM AT BOGONG, CLOVER DAM, MOUNT  
BEAUTY REGULATING PONDAGE, RUBICON DAM, ROYSTON DAM AND  
RUBICON FALLS DAM***Local Authority-Southern Hydro Ltd*

1. 5 knots speed restriction zone for the purposes of Clause 7.

The waters of Junction Dam at Bogong are subject to a speed restriction of 5 knots.

2. Areas prohibited to vessels for the purposes of Clause 9.

- (a) All of the waters of-Mount Beauty Regulating Pondage; Rocky Valley Dam; Junction Dam-  
after sunset and before sunrise;
- (b) All the waters of the Kiewa and Rubicon Hydro Electric Schemes excepting Mount Beauty Regulating Pondage Rocky Valley Dam and Junction Dam;
- (c) Those waters at the western end of Mount Beauty Regulating Pondage that are between the outlet structure and a line between red beacons set on the shore;
- (d) All the waters of Junction Dam at Bogong when the water level of the dam exceeds the spill level;
- (e) Those waters in the southern part of Rocky Valley Storage Dam that are between a line between red beacons on opposite shores and the dam wall-

are prohibited to vessels.

3. Prohibition on specific activities for the purposes of Clause 12.

- (1) (a) On the waters of Regulating Pondage at Mt. Beauty no more than two vessels with engines used for propulsion shall be operated at any time and no part of the waters shall be used for boating or like activities except those waters which are outside the waters between the red beacons and the outlet structure.
  - (b) A person must not be in or operate any vessel with an engine used for propulsion which leaves the shore of the Pondage when there are two other vessels with engines used for propulsion (other than vessels moored to a fixture on the shore) on the waters of the Pondage.
- (2) On the waters of Junction Dam at Bogong no more than one vessel with an engine used for propulsion shall be operated at any one time. No person shall be in or operate any vessel with an engine used for propulsion which leaves the shore of the Dam when there is another such vessel (other than vessels moored to a fixture on the shore) on the Dam.

**SCHEDULE 99****WATERS-LAKE DARTMOUTH***Local Authority-Goulburn-Murray Water*

1. Areas where water-skiers are prohibited for the purposes of Clause 8.

The whole of the waters of Lake Dartmouth are prohibited to water-skiers and vessels towing water-skiers.

2. Areas prohibited to vessels for the purposes of Clause 9.

The waters of Lake Dartmouth between the dam wall and a line approximately 700 metres to the east thereof between two beacons inscribed "Stop" and "Prohibited Water Beyond this Point"

---

located on opposite sides of the lake are prohibited to vessels.

**SCHEDULE 100**  
**WATERS-ALLANS FLAT LAKE**

*Local Authority-The Committee of Management of Allans Flat Recreation Reserve Inc.*

1. Exclusive use and special purpose areas for the purposes of Clause 13.

The waters of Allans Flat Lake are prohibited to all vessels except manually propelled vessels.

**SCHEDULE 101**  
**WATERS-FLETCHER'S DAM**

*Local Authority-Indigo Shire Council*

1. Areas prohibited to vessels for the purposes of Clause 9.

The whole of the waters of Fletcher's Dam are prohibited to vessels.

**SCHEDULE 102**  
**WATERS-LAKE KERFERD**

*Local Authority-Indigo Shire Council*

1. Areas prohibited to vessels for the purposes of Clause 9.

The whole of the waters of Lake Kerferd are prohibited to vessels.

**SCHEDULE 103**  
**WATERS-SHALLOW INLET**

*Local Authority-State Waters*

1. 10 knot speed restriction zone for the purposes of Clause 7.

The waters of Shallow Inlet that are north of a line commencing at a beacon on the eastern shore at the mouth of Fishermans Creek to a beacon on the western shore situated at Sandy Point adjacent to the township of Sandy Point are subject to a 10 knot speed restriction.

**SCHEDULE 104**  
**WATERS-THE DESIGNATED PORT OF GIPPSLAND LAKES**

*Local Authority-Gippsland Ports Committee of Management Inc.*

1. Excluded speed limit for the purposes of Clause 4(a).

The waters of the designated port of Gippsland Lakes which are not otherwise specified as a 5 knot speed restriction zone, 10 knot speed restriction zone, prohibited area or exclusive use area are excluded from the provisions of Clause 4(a) of this notice.

1A. Access lane for the purpose of Clause 5.

The waters of Lake King extending 200 metres to seaward of the waters edge and located between two signposts situated on the foreshore 420 metres and 520 metres northwestward of the Eagle Point Boat Launching Ramp are an access lane.

2. 5 knot speed restriction zones for the purposes of Clause 7.

The waters of the designated port of Gippsland Lakes specified below are subject to a speed restriction of 5 knots:

- (a) All the waters of the Thomson River and the Latrobe River upstream from the swing bridge;
-

---

*Notice No. 1 Under S. 15(2) Marine Act 1988*

---

- (b) All the waters of the Flooding Creek and the Sale Canal;
  - (c) The waters of Lake Wellington situated within 100 metres of the water's edge at Marley Point and between lines extending seaward through each of two sets of beacons in line approximately 320 metres apart on the foreshore;
  - (d) All the waters of the Perry River and the waters of the Avon River upstream from a speed limit notice situated near the mouth of the Avon River;
  - (e) The waters of Lake Victoria, situated within 200 metres of the water's edge at Loch Sport that are-
    - (i) between a line extending from a signpost on the foreshore 520 metres southwestward of the Loch Sport Marina Jetty and a second line on the foreshore, 640 metres northeastward of the Loch Sport Marina Jetty; and
    - (ii) between lines extending from a signpost on the foreshore 800 metres southwestward of the Loch Sport Marina Jetty and two beacons in line approximately 60 metres westward of the jetty near Barton Street; and
    - (iii) between lines extending seaward through two beacons in line on the shore near the intersection of Seagull Drive and Toorak Avenue and two beacons in line on the shore approximately 300 metres westward of the intersection of The Boulevard and National Park Road;
  - (f) All the waters of Bunga Arm eastward of a line extending north-westward from a speed limit notice on the southern shore approximately 8 kilometres eastward of Ocean Grange Jetty to the opposite shore;
  - (g) All the waters of Duck Arm, Lake Victoria westward of a line extending south-eastward from a speed limit notice on the northern shore to a yellow post on the southern shore at the entrance to Duck Arm;
  - (h) All the waters of McMillan's Strait, Paynesville bounded on the north by a line joining two speed limit notices on opposite shores at the northern end of McMillan's Strait and bounded on the south by a line joining a speed limit notice at Montagu Point, Raymond Island, and a speed limit notice at Grassy Point on the mainland;
  - (i) The waters of Eagle Point Bay that lie within 200 metres to seaward of the waters edge outside the "no boating" zone and 150 metres to seaward of the "no boating" zone:
    - (a) between a sign on the foreshore approximately 420 metres northwestward of the Eagle Point Boat Launching Ramp and a sign on the foreshore 60 metres south east of the Eagle Point Launching Ramp;
    - (b) between a sign on the foreshore 520 metres northwest and another sign 580 metres northwest of the Eagle Point Boat Launching Ramp;
  - (j) All the waters of the Mitchell River upstream from a speed limit notice situated on the shore at the mouth of such river;
  - (k) All the waters of the Nicholson River upstream from a speed limit notice placed on a navigation beacon situated at the mouth of such river;
  - (l) All the waters of the Tambo River upstream from a speed limit notice placed on a navigation beacon situated at the mouth of such river;
  - (m) The waters of Bancroft Bay situated-
    - (i) westward of a line extending northward from a speed limit notice on Shaving Point to a speed limit notice on the shore approximately 200 metres north-eastward of Metung Yacht Club building; and
-

---

**Notice Under Reg. 800(3) Marine (Fees) Regulations 1988**

---

- (ii) within 100 metres of the water's edge and between lines extending seaward from a speed limit marked "5 Knots" on the shore, approximately 800 metres south-westward of Mosquito Point and a similar notice approximately 800 metres south-eastward of Mosquito Point;
- (n) All the waters of Chinamans Creek northward of a line extending south-westward from a speed limit notice on the eastern shore to a yellow post on the opposite shore;
- (o) All the waters of Box's Creek northward of a line extending westward from a speed limit notice on the eastern shore to the most southerly point of the opposite shore;
- (p) All the waters of Cunninghame Arm and North Arm and the waters of Reeves Channel situated eastward of a line from the inner end of the eastern Entrance Wall to the western end of Bullock Island thence north-westward following the training wall to the shore of the mainland;
- (q) The waters of Lake King situated within 200 metres of the water's edge at Metung that are between lines extending seaward from a speed limit notice on the shore approximately 250 metres north-west of Shaving Point navigation light and a similar notice on the shore approximately 700 metres north-westward of the seaward end of Mairburn Road, Metung;
- (r) All the waters of the Hopetoun Channel bounded on the west by a line joining a speed limit notice on the southern shore of Hopetoun Channel approximately 600 metres west of the inner end of the Western Entrance Wall and a speed limit notice on the opposite shore and bounded on the east by a line joining a speed limit notice on the southern shore of Hopetoun Channel at the inner end of the Western Entrance Wall and a speed limit notice on the opposite shore;
- (s) All the waters of Newlands Arm, Paynesville bounded on the east by a line joining a speed limit notice on the southern shore at Butler Point and a speed limit notice on the northern shore at Commissioner Point;
- (t) All the waters north of a line running from a speed limit notice at Grassy Point, Paynesville to the green starboard hand beacon off Goose Point thence to a speed limit notice at Commissioner Point, Paynesville.

**3. 10 knot speed restriction zones for the purposes of Clause 7.**

The waters of the designated Port of Gippsland Lakes specified below are subject to a speed restriction of 10 knots:

- (a) All the waters of the Latrobe River from a speed limit notice situated near the mouth of such river upstream to the swing bridge;
- (b) All the waters of McLennans Strait between a speed limit notice situated at the eastern end of such strait and a speed limit notice situated at the western end of such strait;
- (c) All the waters of the Entrance of the Reeves Channel westward of the line referred to in item 2(p) of this Schedule to a line commencing at a speed limit notice on the southern shore of Hopetoun Channel at the inner end of the Western Entrance Wall thence to a speed limit notice on the opposite shore thence along the shore of the eastern end of Rigby Island to a speed limit notice opposite Kalimna Jetty thence northward to a speed limit notice on the mainland approximately 60 metres westward of that jetty.

**4. Water-skiing prohibited for the purposes of Clause 8.**

The waters of the designated port of Gippsland Lakes referred to in Item 3 of this Schedule and

---

---

**Notice No. 1 Under S. 15(2) Marine Act 1988**

---

also the waters of Reeves Channel between a line extending north-westward from a warning notice on the north-western end of Rigby Island to a similar notice on the shore of the mainland at Nyerimilang and a line extending northward from a speed limit notice situated on the shore of Rigby Island opposite Kalimna Jetty to a speed limit notice situated on the mainland approximately 60 metres westward of such Jetty are prohibited to water-skiers and vessels towing water-skiers.

**5. Areas prohibited to vessels for the purposes of Clause 9.**

The waters of the designated port of Gippsland Lakes specified below are prohibited to vessels-

- (a) The waters that are generally north of a line of red buoys, from a sign inscribed with the words "No Boating" on the foreshore situated at Ogilvey Point, Newlands Arm, to a similar sign on the foreshore situated approximately 250 metres west of the boat launching ramp at Commissioners Point, Paynesville;
- (b) The waters that are generally north of a line of red buoys situated 30 metres offshore from a sign inscribed with the words "No Boating" situated on the foreshore 33 metres west of the boat launching ramp located off The Esplanade, Paynesville adjacent to the Gippsland Lakes Yacht Club to a similar sign on the foreshore approximately 80 metres north-west of that sign.
- (c) The water of Newlands Arm that are generally east of a line of yellow buoys approximately 30 metres offshore between two "No boating" signs situated on the foreshore of Dawson Cove approximately 350 metres and 400 metres south of Butler Point.
- (d) The waters of Lakes Victoria situated at Loch Sport that are:
  - (i) between a line running to seaward from a "No boating" sign on the foreshore 800 metres southwestward of the Loch Sport Marina Jetty to a "No boating" buoy 200 metres to seaward of the water's edge and a second line running to seaward from a "No boating" sign on the foreshore 520 metres southwestward of the Loch Sport Marina Jetty to a "No boating" buoy 200 metres to seaward of the water's edge; and
  - (ii) between a line running to seaward from a "No Boating" sign on the foreshore 640 metres northeastward of the Loch Sport Marina Jetty to a "No boating" buoy 200 metres to seaward of the water's edge and second line running to seaward from a "No boating" sign on the foreshore 965 metres northeastward of the Loch Sport Marina Jetty to a "No boating" buoy 200 metres to seaward of the water's edge.
- (e) The waters of Eagle Point Bay, Lake King that are located between a "No Boating" sign on the foreshore 360 metres northwest of the Eagle Point Boat Launching Ramp and a "No Boating" sign on the foreshore 240 metres northwest of the Eagle Point Boat Launching Ramp and which lie generally southwestward of a line between two buoys located 50 metres from the waters edge offshore from the two signs.

**6. Exclusive use and special purpose areas for the purposes of Clause 13**

(1) The waters of the designated port of Gippsland Lakes that are within 100 metres of the water's edge between lines at right angles to the shore from a sign inscribed with the words "Boating Only" situated at the boat launching ramp jetty at Grassy Point, Paynesville, and a similar sign situated approximately 100 metres to the west of that sign, are set aside for vessels without engines for propulsion.

---

---

**Notice Under Reg. 800(3) Marine (Fees) Regulations 1988**

---

(2) The provisions of Item 2(h) of this Schedule shall not apply during the period commencing one hour before sunrise and ending one hour after sunset on any day in the waters of Newlands Arm bounded on the east by a line extending northward from a speed limit notice on Butlers Point to a speed limit notice on the northern shore of the mainland and bounded on the west by a line extending southward from a speed limit notice on the northern foreshore near the house known as "Mentiplays" to a yellow post on the southern shore but excluding those waters that are generally north of a line of yellow buoys commencing at a notice on the foreshore situated at Ogilvey Point to a notice on the foreshore situated 250 metres west of the boat launching ramp at Commissioners Point, Paynesville.

(3) The provisions of Item 2(p) and (q) of this Schedule shall not apply during the period commencing one hour before sunrise and ending one hour after sunset on any day in the waters-

- (a) of North Arm between a line from a speed limit notice on the shore at the point known as Stocks Point to a speed limit notice on the opposite shore approximately 30 metres north-eastward of the launching ramp and a line extending westward from a speed limit notice on the shore near the prolongation to seaward of Bongong Street to a speed limit notice on the opposite shore;
- (b) of Cunninghame Arm encompassed by lines extending northward from two speed limit notices on the southern shore to a line through yellow buoys situated off-shore;
- (c) of Lake King that are within lines running to seaward through two sets of beacons in line situated approximately 150 metres apart on the foreshore near the western end of Kurnai Avenue, Metung.

(4) Between sunrise and sunset the waters of the Port of Gippsland Lakes specified below are set aside for the exclusive use of personal water craft-

- (a) The waters within Cunninghame Arm northward of a line from a "Personal Water Craft Only" sign on the southern end of the Club Hotel Spit and extending north-eastward to a point marked by a yellow buoy located 60 metres south-westward of the south-west extremity of the Western Board Harbour thence northward to a "Personal Water Craft Only" sign on the foreshore 60 metres west of the Western Boat Harbour Jetty; and
- (b) The waters of Eagle Point Bay, Lake King that lie within 200 metres of the shore from a "Personal Water Craft Only" sign on the foreshore 580 metres northwestward on the Eagle Point Boat Launching Ramp to a second "Personal Water Craft Only" sign on the foreshore 620 metres northwestward of the Eagle Point Boat Launching Ramp.

*Navigation of Entrance*

(5)(a) A person in charge of a vessel which is departing Cunninghame Arm must keep out of the way of a vessel navigating Reeves Channel.

(b) Where two vessels in Reeves Channel at its junction with Cunninghame Arm are approaching each other on reciprocal or near reciprocal courses, the person in charge of the vessel stemming the tide must keep out of the way of the vessel proceeding with the tide and nothing in this Schedule shall exempt the person in charge of either vessel from complying with the requirements of section 16 of the Uniform Shipping Laws Code.

(c) The person in charge of a vessel which is proceeding to sea and navigating the waters of the port between the seaward end of the entrance moles and the offshore bar must keep out of the way of a vessel inward bound into the port.

---



---

**Notice No. 1 Under S. 15(2) Marine Act 1988**

---

- (d) The person of a vessel navigating the waters of the port between the seaward end of the entrance moles and the seaward (outer) edge of the offshore bar must maintain a distance of 100 metres astern of any other vessel proceeding in the same direction as the vessel.
- (e) Despite anything contained in this item of this Schedule-
- (i) all vessels must keep clear of the dredger "April Hamer"; and
  - (ii) a vessel whether inward or outward bound must not attempt to pass the dredger "April Hamer" whilst the dredger is dredging between the seaward end of the entrance moles and the outer edge of the seaward extremity of the bar or is engaged in swinging at the landward side of the bar.

*McMillan's Strait Vehicular Cable Ferry*

- (6)(a) The master or operator of a vessel navigating McMillan's Strait, Gippsland Lakes must, when in the vicinity of the Paynesville-Raymond Island vehicular cable ferry, proceed with caution and keep clear of the ferry.
- (b) The master of the ferry must not proceed to cross the strait if danger of a collision with a passing vessel exists.
- (c) The master of the ferry must ensure that when the ferry is traversing the strait, the ferry-
- (i) displays by night an all-around red light at each end in a horizontal line, at a height of not less than three metres above the deck and, at the appropriate end, an all-around green light not less than one metre above the red light to indicate the direction of travel; and
  - (ii) where there is fog or poor visibility, sounds its siren at intervals of not more than one minute one prolonged blast followed by two short blasts, commencing at the time it leaves its berth.
- (d) Where the ferry becomes stationary in the strait, the Master of the ferry must ensure-
- (i) that the ferry displays the lights referred to in (c)(i); and
  - (ii) in fog or conditions of poor visibility, that a bell rings rapidly for about five seconds at intervals of not more than one minute.
- (e) The master of the ferry must ensure that when the ferry is not operating and berthed, the ferry displays at night two fixed white lights vertically disposed at its seaward end

**SCHEDULE 105  
WATERS-LAKE TYERS**

*Local Authority-East Gippsland Shire Council*

1. 5 knot speed restriction zones for the purposes of Clause 7.

The waters of Lake Tyers-

- (a) In Blackfellows Arm north of an imaginary line between two yellow speed restriction signs on opposite shores at the entrance to Blackfellows Arm;
  - (b) In Toorloo Arm north of an imaginary line between two yellow speed restriction signs on opposite shores at the entrance to Toorloo Arm;
  - (c) In Nowa Nowa Arm north of an imaginary line between two yellow speed restriction signs on opposite shores at the southernmost point of Merlin Bay;
  - (d) South of an imaginary line between a yellow speed restriction sign on the northern entrance to Fishermans Landing Arm and a yellow speed restriction sign on the eastern shore of Lake Tyers-
-

are subject to a speed restriction of 5 knots.

**SCHEDULE 106**  
**WATERS-LAKE REEVE**

*Local Authority-Secretary, Department of Natural Resources and Environment*

1. Vessels with engines prohibited for the purposes of Clause 10.

All of the waters of Lake Reeve are prohibited to vessels with engines used for propulsion.

**SCHEDULE 107**  
**WATERS-THE DESIGNATED PORT OF SNOWY RIVER**

*Local Authority-Gippsland Ports Committee of Management Inc.*

1. Excluded speed limit for the purposes of Clause 4(a).

Those waters within the Port of Snowy River that are not otherwise specified as a 5 knot speed restriction zone or a 10 knot speed restriction zone are not subject to the requirements of Clause 4(a) of this Notice.

2. 10 Knot speed restriction zone for the purposes of Clause 7.

The waters of the Port of Snowy River upstream from a line extending from a speed limit notice on the southern shore just east of the entrance to The Slips, to a similar notice on the northern shore west of the Marlo Jetty and adjacent to the public toilet block are subject to a speed limit of 10 knots.

3. 5 Knot speed restriction zones for the purposes of Clause 7.

(a) The waters of the Port of Snowy River that are known as The Slips from a speed limit notice situated on the eastern point of the entrance to such waters are subject to a speed limit of 5 knots.

(b) All the waters of the Brodribb River that are upstream from an imaginary line joining two speed limit notices near the mouth of the river, to the Marlo Road Bridge.

4. Areas prohibited to vessels for the purposes of Clause 9.

(a) The waters bounded by a line commencing at a "No Boating" sign situated on the foreshore 25 metres west of the Foreshore Road roundabout to a red "No Boating" buoy 20 metres to seaward, thence by a line extending approximately 50 metres east to a red "No Boating" buoy, thence by a line extending in a northerly direction to a "No Boating" sign on the foreshore are prohibited to vessels.

(b) The waters bounded by a line commencing at a "No Boating" sign situated on the foreshore 25 metres west of the pedestrian pathway at Sampsons Lookout to a red "No Boating" buoy 20 metres to seaward, thence by a line extending approximately 50 metres east to a red "No Boating" buoy, thence by a line extending in a northerly direction to a "No Boating" sign on the foreshore are prohibited to vessels.

5. Revocation of amending Notice.

Unless the Gippsland Ports Committee of Management Inc. recommends the continuation of this rule the portion of this notice making Schedule 107 is revoked 12 months after the date of publication in the Government Gazette (30 October 1997).

---

**SCHEDULE 108****WATERS-TAMBOON INLET AND ALL NAVIGABLE WATERS WITH AN OPENING TO THAT INLET**

*Local Authority-Secretary, Department of Natural Resources and Environment*

1. 5 knot speed restriction zone for the purposes of Clause 7.

Those waters of Tamboon Inlet that are southwards of a line joining two speed limit notices on opposite shores of the inlet adjacent to Peters Rock are subject to a speed restriction of 5 knots.

**SCHEDULE 109****WATERS-THE DESIGNATED PORT OF MALLACOOTA**

*Local Authority-Gippsland Ports Committee of Management Inc.*

1. Excluded speed limit for the purposes of Clause 4(a).

Those waters within the Port of Mallacoota that are not otherwise specified as a 5 knot speed restriction zone are not subject to the requirements of Clause 4(a) of this notice.

2. 5 knot speed restriction zones for the purposes of Clause 7.

The waters of the Port of Mallacoota-

(a) that are bounded by a line extending from a speed limit notice on Captain Point to a similar notice on the southern shore of Goat Island; thence by a line joining yellow posts on the southern shores of each of three unnamed islands opposite Mallacoota Township; thence by a line joining Nos. 1, 3, 5 and 7 navigation beacons; thence by a line to a yellow post on the western shore of Rabbit Island; thence by a line extending to a yellow post on the mainland; and thence around the shoreline to the point of commencement;

(b) that are upstream from a line joining two speed limit notices on opposite shores of Mallacoota Inlet approximately 500 metres south-east of the Gipsy Point Wharf-are subject to a speed restriction of 5 knots.

**SCHEDULE 110****WATERS-HAZELWOOD COOLING POND**

*Local Authority-Hazelwood Power Corporation Ltd*

1. Areas prohibited to vessels for the purposes of Clause 9.

Those waters of the Hazelwood Cooling Pond that are-

(a) the outlet pond, outlet channel and outlet bank; and

(b) the inlet pond, inlet bank and inlet structure; and

(c) in the south-east bay to the south-east of a line joining a beacon near the south end of the outlet bank to a beacon located approximately 120 metres in a north-easterly direction from the eastern end of the southern bank-

are prohibited to vessels.

2. Prohibition of specific activities for the purposes of Clause 13.

(a) The waters of Hazelwood Cooling Pond specified below are prohibited to vessels with an engine used for propulsion where the engines are capable of exceeding 7.5 kilowatts developed power.

The waters bound on the north by a line joining a beacon on the outlet bank situated approximately 850 metres in a southerly direction from the south-east corner of the inlet pond with a beacon on the Eel Hole Creek Dam situated approximately 490

---

metres in a south-westerly direction from the spillway structure; on the north-west by the Eel Hole Creek Dam and the natural shore line; on the south by the south bank and the natural shoreline; on the south-east by a line joining a beacon near the south end of the outlet bank to a beacon located approximately 120 metres in a north-easterly direction from the eastern end of the south bank; and on the east by the outlet bank.

- (b) Those waters which are not otherwise specified as prohibited in accordance with Item 1 or 2(a) of this schedule are prohibited to vessels which have an engine used for propulsion which is not in excess of a developed power of 7.5 kilowatts.

### **SCHEDULE 111 WATERS-LAKE GLENMAGGIE**

#### *Local Authority-Gippsland and Southern Water Authority*

1. Excluded speed limits for the purposes of Clause 3(a).

Those waters of Lake Glenmaggie which are not otherwise specified as an access lane, speed restriction zone or prohibited area are not subject to the requirements of Clause 3(a) of this notice.

2. Access lanes for the purposes of Clause 5.

The following waters of Lake Glenmaggie are access lanes:

- (a) Approximately 100 metres wide located approximately 100 metres north of Sandy Point;
- (b) Approximately 100 metres wide located immediately east of Stuckey's Point;
- (c) Approximately 60 metres wide located adjacent to the Tinamba Glenmaggie Road approximately one kilometre from the junction of that road and the Glenmaggie-Heyfield Road;
- (d) Approximately 100 metres wide located approximately 200 metres north of the Lake Glenmaggie Caravan Park area No. 1;
- (e) Approximately 100 metres wide located approximately 300 metres north of the Lake Glenmaggie Caravan Park area No. 2;
- (f) Approximately 150 metres wide located adjacent to the Glenmaggie and District Boat Club clubhouse;
- (g) Approximately 200 metres wide located adjacent to Seaton Road approximately one kilometre from the junction of that road and the Glenmaggie-Heyfield Road;
- (h) Approximately 60 metres wide located approximately 50 metres west of the Kelly Cove launching ramp;
- (i) Approximately 100 metres wide, located approximately 100 metres south of the entrance to Wootton Cove.

*Note:* The access lanes extend for a distance of 60 metres from the edge of the water for the time being except in the access lane adjacent to the Seaton Road foreshore where the access lane extends for a distance of 100 metres from the edge of the water for the time being.

3. 5 knot speed restrictions zones for the purposes of Clause 7.

The waters of Lake Glenmaggie-

- (a) around the perimeter of the lake for a distance of approximately 60 metres from the edge of the water for the time being except adjacent to the Seaton Road foreshore, in the access lanes and in the prohibited areas;
  - (b) adjacent to the Seaton Road foreshore for a distance of approximately 100 metres
-

- from the edge of the water for the time being;
- (c) in the Macalister River Inlet north-west of a line between beacons located on the foreshore each side of the entrance to the inlet;
- (d) in the Glenmaggie Creek Inlet west of a line between beacons located on the foreshore each side of the entrance to the inlet;
- (e) between the Glenmaggie-Licola Road Bridge and a line between beacons located on the northern and southern foreshore approximately 200 metres west of the bridge;
- (f) in Wootton Cove north of a line passing in an east-west direction through a yellow buoy located in the water at the entrance to the cove;
- (g) in Kelly Cove north-east of a line passing in a north-westerly direction through a yellow buoy located in the water at the entrance to the cove;
- (h) in Ryan Cove north of a line passing east-west through a yellow buoy situated in the water at the entrance to the cove;
- (i) in Munjara Cove east of a line passing through two or more yellow buoys located in the water at the entrance to the cove;
- (j) in Sandy Cove east of a line passing through two or more yellow buoys located in the water within the cove-

are subject to a speed restriction of 5 knots.

#### 4. Areas prohibited to vessels for the purposes of Clause 9.

The waters of Lake Glenmaggie-

- (a) between the dam wall and a line approximately 150 metres to the southwest thereof between two beacons inscribed "Stop" and "Prohibited Water Beyond this Point" located on opposite shores of the lake;
- (b) extending approximately 60 metres from the edge of the water for the time being between side boundaries marked by two red buoys at the following locations:
  - (i) a swimming area approximately 60 metres wide on the eastern shore approximately 50 metres south of the launching ramp in Kelly Cove;
  - (ii) a swimming area approximately 60 metres wide on the southern shore at the entrance to Munjarra Cove;
  - (iii) a swimming area approximately 50 metres wide located approximately 100 metres north-west of the launching ramp on the southern shore of Sandy Point-

are prohibited to vessels.

### SCHEDULE 112

#### WATERS-ALL WATERS WITHIN WILSONS PROMONTORY NATIONAL PARK

*Local Authority-Secretary, Department of Natural Resources and Environment*

##### 1. Vessels with engines prohibited for the purposes of Clause 10.

All of the waters within Wilsons Promontory National Park are prohibited to vessels with engines used for propulsion.

### SCHEDULE 113

#### WATERS-BLUE ROCK LAKE

*Local Authority-Gippsland and Southern Water Authority*

---

1. 5 knot speed restriction zone for the purposes of Clause 7.

The whole of the waters of Blue Rock Lake except in the prohibited areas are subject to a speed restriction of 5 knots.

2. Areas prohibited to vessels for the purposes of Clause 9.

The waters of Blue Rock Lake-

- (a) between the dam wall and a line approximately 200 metres to the north-west thereof between two beacons inscribed "Stop" and "Prohibited Water Beyond this Point" located on opposite shores of the lake; and
- (b) extending approximately 60 metres from the edge of the water for the time being in a swimming area approximately 130 metres wide situated adjacent to the toilet block within the Old Tanjil Road Recreational Area on the western shore of the lake, the boundaries of the swimming area being marked by signs and red buoys-

are prohibited to vessels.

3. Prohibition of vessels with engines for the purposes of Clause 10.

The whole of the waters of Blue Rock Lake are prohibited to vessels with engines used for propulsion where the engines are capable of exceeding 7.5 kilowatts developed power.

4. Prohibition of specific activities for the purposes of Clause 12.

The whole of the waters of Blue Rock Lake are prohibited to vessels with engines used for propulsion or sailing vessels which have an overall length exceeding 4.3 metres.

#### **SCHEDULE 114**

#### **WATERS-THE DESIGNATED PORT OF ANDERSON INLET**

*Local Authority-Gippsland Ports Committee of Management Inc.*

1. Excluded speed limit for the purposes of Clause 4(a).

Those waters of the Port of Anderson Inlet which are not otherwise specified as a 5 knot speed restriction zone, or a 10 knot speed restriction zone are excluded from the provisions of Clause 4(a) of this notice.

2. 5 knot speed restriction zones for the purposes of Clause 7.

The waters of the Port of Anderson Inlet-

- (a) situated within 100 metres of the water's edge at Inverloch between-
  - (i) a line at right angles to the shore extending seaward from a speed limit notice situated on the shore near Veronica Street; and
  - (ii) a line from a beacon with a red topmark to a beacon on the opposite shore being the beacon marking the eastern boundary of the area described in (b);
- (b) abutting the southern shore and enclosed by lines commencing at a beacon with a red triangular topmark on the shore approximately 800 metres east of Point Smythe and extending in a northerly direction for approximately 100 metres to a yellow buoy thence in an easterly direction for approximately 600 metres to a yellow buoy or pile thence in a south-easterly direction to a beacon with a red triangular topmark on the shore-

are subject to a speed restriction of 5 knots.

3. 10 knot speed restriction zone for the purposes of Clause 7.

The waters of the Port of Anderson Inlet (including the waters of the Tarwin River) that are situated eastward of a line between the beacon situated near the mouth of Screw Creek and the beacon on the shore marking the eastern boundary of the area described in Item 2(b) of this Schedule are subject to a speed restriction of 10 knots. This speed restriction does not apply

---

between the hours of one hour before sunrise and one hour after sunset on any day in the waters of Tarwin River between a speed limit notice situated on the bank of the river near the boundary between Crown Allotment 4B and the government road in the Parish of Tarwin and a speed limit notice situated on the bank of the river approximately 3 kilometres upstream northward of the boundary between Crown Allotment 18 and the government road in the same parish.

**SCHEDULE 115**  
**WATERS-LAKE BANIMBOOLA (DARTMOUTH PONDAGE)**

*Local Authority-Goulburn-Murray Water*

1. Areas prohibited to vessels for the purposes of Clause 9.  
All the waters of Lake Banimboola are prohibited to vessels.

**SCHEDULE 116**  
**WATERS-LAKE BULLEN MERRI**

*Local Authority-Lake Bullen Merri Committee of Management Inc.*

1. 5 knot speed restriction zone for the purposes of Clause 7.  
The waters of Lake Bullen Merri that are generally north of a line of yellow buoys which mark an imaginary line commencing at a beacon on the shoreline approximately 200 metres south-west of Potters Point; thence 200 metres in a south-easterly direction to a yellow buoy; thence generally north-east to a position which is situated 30 metres in a westerly direction from the shoreline at the intersection of the shoreline with the western boundary of Crown Allotments A, Section XIX, Parish of Colongulac are subject to a speed restriction of 5 knots.
2. Area prohibited to vessels for the purposes of Clause 9.  
The waters of Lake Bullen Merri adjacent to the recreation reserve at the southern end of the lake, that are within 30 metres of the shore between the jetty erected by the Department of Conservation and Natural Resources and a signpost on the shore approximately 160 metres west of that jetty are prohibited to vessels.

**SCHEDULE 117**  
**WATERS-MITTA MITTA RIVER WITHIN THE SHIRE OF TOWONG BETWEEN  
THE TOP WATER LINE OF LAKE HUME AND THE JUNCTION OF THE RIVER  
WITH CALLAGHANS CREEK**

*Local Authority-Mitta Mitta River Improvement Trust*

1. 15 knot speed restriction zone for the purposes of Clause 7.  
The waters of the Mitta Mitta River are subject to a speed restriction of 15 knots.

**SCHEDULE 118**  
**WATERS-AIRE RIVER DOWNSTREAM OF THE GREAT OCEAN ROAD BRIDGE**

*Local Authority-Secretary, Department of Natural Resources and Environment*

1. 8 knot speed restriction zone for the purposes of Clause 7.  
All the waters of the Aire River downstream of the Great Ocean Road Bridge are subject to a speed restriction of 8 knots.
  2. Area prohibited to water-skiers for the purposes of Clause 8.  
All the waters of the Aire River downstream of the Great Ocean Road Bridge are prohibited to water-skiers and vessels towing water-skiers.
-

**SCHEDULE 119**

**WATERS-BROWNS SWAMP**

*Local Authority-Secretary, Department of Natural Resources and Environment*

1. 5 knot speed restriction zone for the purposes of Clause 7.

All the waters within Browns Swamp are subject to a speed restriction of 5 knots.

**SCHEDULE 120**

**WATERS-ALL THE WATERS WITHIN BARMAH STATE PARK**

*Local Authority-Secretary, Department of Natural Resources and Environment*

1. 5 knots speed restriction zone for the purposes of Clause 7.

All the waters within the Barmah State Park are subject to a speed restriction of 5 knots.

**SCHEDULE 121**

**WATERS-CHERRY LAKE ALTONA**

*Local Authority-Melbourne Water*

1. Areas prohibited to vessels for the purposes of Clause 9.

All the waters of Cherry Lake, Altona are prohibited to vessels.

**SCHEDULE 122**

**WATERS-THE FOLLOWING LAKES ON TAYLORS CREEK, KEILOR-TAYLORS LAKE, LAKE KINGFISH, LAKE SPOONBILL, LAKE HERON, LAKE SHELDUCK, LAKE IBIS AND LAKE CORMORANT**

*Local Authority-Melbourne Water*

1. Areas prohibited to vessels for the purposes of Clause 9.

All the waters of the Lakes on Taylors Creek, Keilor consisting of Taylors Lake, Lake Kingfish, Lake Spoonbill, Lake Heron, Lake Shelduck, Lake Ibis and Lake Cormorant are prohibited to vessels.

**SCHEDULE 123**

**WATERS-SKELETON CREEK UPSTREAM OF THE OUTLET TO PORT PHILLIP TO POINT COOK ROAD, ALTONA AND WERRIBEE**

*Local Authority- Melbourne Water*

1. Areas prohibited to vessels for the purposes of Clause 9.

All the waters of Skeleton Creek between the outlet to Port Phillip Bay and Point Cook Road, Altona and Werribee are prohibited to vessels.

**SCHEDULE 124**

**WATERS-LAVERTON CREEK, UPSTREAM OF THE OUTLET TO PORT PHILLIP TO QUEEN STREET, ALTONA**

*Local Authority-Melbourne Water*

1. Vessels with engines prohibited for the purposes of Clause 10.

Those waters of Laverton Creek upstream of the outlet to Port Phillip Bay to Queen Street,

---



Altona, are prohibited to vessels with engines.

**SCHEDULE 125**  
**WATERS-LAKE ST GEORGE**

*Local Authority-St George's Lake Scenic Resource Committee of Management Inc.*

1. Vessels with engines prohibited for the purposes of Clause 10.

All the waters of Lake St. George are prohibited to vessels with engines.

**SCHEDULE 126**  
**WATERS-VICTORIA PARK LAKE-SHEPPARTON**

*Local Authority-Greater Shepparton City Council*

1. Excluded speed limit for the purposes of Clause 3(a).

The waters of Victoria Park Lake are not subject to the requirements of Clause 3(a) of this notice.

2. Exclusive use and special purpose areas for the purpose of Clause 13.

- (a) The waters of Victoria Park Lake are set aside for vessels without engines used for propulsion and for vessels with engines which are used for propulsion which have less than 3.5 kilowatts developed power, on the days of the week and during the times specified as follows:
  - (i) From 1 May until 30 June (inclusive) and from 1 September until 30 September (inclusive) on each Monday, Wednesday, Friday and Sunday; and
  - (ii) From 1 July until 31 August (inclusive); and
  - (iii) From 1 October until 30 April (inclusive) on each Tuesday, Thursday and Sunday;
- (b) The waters of Victoria Park Lake are set aside for vessels with engines used for propulsion on the days of the week and during the times specified as follows:
  - (i) From 1 May until 30 June (inclusive) and from 1 September until 30 September (inclusive) on each Tuesday, Thursday and Saturday; and
  - (ii) From 1 October until 30 April (inclusive) on each Monday, Wednesday, Friday and Saturday.
- (c) A person must not operate a vessel on Victoria Park Lake when there are six vessels with engines used for propulsion already operating on the lake.
- (d) A person must not operate a vessel with an engine used for propulsion for more than 6 circuits of the lake at any one time or for continuous period of more than 20 minutes if there is another vessel waiting to operate;

3. Towing of water-skiers for the purposes of Clause 19.

A person must not operate a vessel on the waters of Victoria Park Lake when towing more than 2 water-skiers.

**SCHEDULE 127**  
**WATERS-BALCOMBE CREEK WITHIN THE SHIRE OF MORNINGTON**  
**PENINSULA**

*Local Authority- Mornington Peninsula Shire Council*

1. Vessels with engines prohibited for the purposes of Clause 10.

Those waters of Balcombe Creek upstream of the Esplanade road bridge at Mount Martha are prohibited to vessels with engines.

---

**SCHEDULE 128**  
**WATERS-BEAUFORT PARK LAKE**

*Local Authority-Pyrenees Shire Council*

1. Areas prohibited to vessels for the purposes of Clause 9.

The waters of Beaufort Park Lake adjacent to the western shore of the Lake within a zone approximately 150 metres wide and extending 40 metres from the waters edge delineated by buoys are prohibited to vessels.

2. 5 knot speed restriction zone for the purposes of Clause 7.

The waters of Beaufort Park Lake are subject to a speed restriction of 5 knots excludingX

- (a) the vessel prohibition zone made under Clause 9; and
- (b) the exclusive water skiing zone and times made under Clause 13.

3. Exclusive use and special purpose areas for the purposes of Clause 13.

The waters of Beaufort Park Lake are set aside exclusively for activities associated with waterskiing as followsX

- (a) 1 December to 30 April on Saturdays, Sundays and public holidays between 10.00 a.m. and sunset;
- (b) 1 December to 30 April on Monday to Friday between 5.00 p.m. and sunset;
- (c) The following conditions apply to all vessels operating in the exclusive water ski zone made under Clause 13X
  - (i) There must be no more than two (2) vessels on the lake at any one time;
  - (ii) No more than five (5) circuits of the lake or 15 minutes continuous operation is permitted whilst another vessel is waiting for turn to operate;
  - (iii) A maximum of two (2) waterskiers only are permitted to be towed behind each vessel.

4. Direction of travel for the purposes of Clause 14.

All vessels operating in the exclusive zone set aside for waterskiing must proceed in a clockwise direction in relation to the approximate centre of Beaufort Park Lake.

**SCHEDULE 129**  
**WATERS-LAKE MOODEMERE**

*Local Authority-Committee of Management for Lake Moodemere Public Purposes Reserve Inc.*  
Interpretation

In this Schedule "**speed boating area**" means those waters of Lake Moodemere which are not prohibited areas or on which a speed restriction applies.

1. Excluded speed limit for the purposes of Clause 3(a). The waters of Lake Moodemere which are not otherwise specified as an area prohibited to vessels are excluded from the requirements of Clause 3(a) of this notice.

2. 5 knot speed restriction zone for the purposes of Clause 7.

The whole of the waters of Lake Moodemere excepting those waters between sign posts set on either shore approximately 180 metres north of the boat ramp and sign posts set on either shore generally north-east of Picnic Point are subject to a speed restriction of 5 knots.

3. Areas prohibited to vessels for the purposes of Clause 9.

The waters of Lake Moodemere which are within a line of posts located within approximately 30 metres of a sign inscribed "Swimming Area" which is located approximately 40 metres south-east of the boat launching ramp are prohibited to all vessels.

---

---

**Notice No. 1 Under S. 15(2) Marine Act 1988**

---

4. Exclusive use and special purpose areas for the purpose of Clause 12.

(1) The whole of the waters of Lake Moodemere are set aside for the use of racing shells engaged in competitive rowing practice during the times between 1 September and 30 April (inclusive) specified as follows:

- (a) On each Monday, Tuesday, Wednesday and Thursday between 6.00 p.m. and 7 30 p.m.; and
- (b) On each Sunday between 9.00 a.m. and 12.00 noon.

(2) Those waters of Lake Moodemere excepting those waters otherwise designated as a speed restriction zone or as prohibited to vessels are set aside for the purposes of competitive water-ski practice during the times between 1 September and 30 April (inclusive) as follows:

- (a) On each Friday between 5.00 p.m. and sunset; and
- (b) On each Saturday between sunrise and 12.00 noon.

(3)(a) A person must not operate a vessel with an engine used for propulsion within the speed boating area at a speed of more than 5 knots-

- (i) when four other such vessels are operating in the area; or
- (ii) for more than 4 circuits of the area or for a continuous period of more than 15 minutes if there is another such vessel waiting to operate.

(b) A person operating a vessel with an engine used for propulsion must, if it is necessary to stop during a circuit of the speed boating area, immediately take appropriate action to remove the vessel and persons to the nearest shore and must not impede the progress of other vessels.

(c) A person operating a vessel at a speed of less than 5 knots within the speed area must remain within 5 metres of the shore or the limits of the prohibited area.

### **SCHEDULE 130**

#### **WATERS-LAKE NARRACAN**

*Local Authority-La Trobe Shire Council*

For the purposes of this Schedule, Lake Narracan is divided into the following areas:

Area A-Those waters of Lake Narracan that lie west of a line marked by a line of yellow buoys between a boating information sign post located on the southern shore of the lake at the Newborough Drain and another located opposite on the northern shore.

Area B-Those waters of Lake Narracan between Area A and Area C.

Area C-Those waters of Lake Narracan that lie east of a line marked by a line of yellow buoys between a boating sign post located at Broadwood Reserve on the Fernlea Channel and one located opposite on the northern shore.

1. Prohibition of vessels for the purposes of Clause 9.

(a) Those waters of Lake Narracan that are east towards the dam wall from a line of red buoys between a signpost on Boom Point and a similar signpost on the northern shore are prohibited to all vessels.

(b) Those waters of Lake Narracan on the north-east shore of Halls Bay within 50 metres of the shore between two signs marked "Swimming Area" and marked by red buoys are prohibited to all vessels.

2. Exclusive use area for the purposes of Clause 13.

(a) Those waters of Lake Narracan designated Area B are set aside for the use of manually operated vessels and vessels with engines used for propulsion where the engines are not capable of exceeding 6 kilowatts developed power.

(b) Those waters of Lake Narracan designated Area A are set aside for manually operated

---

vessels only.

(c) Those waters of Lake Narracan designated Area C other than the waters within that area which are otherwise specified as an area prohibited to boating, a speed restriction zone or a special purposes area are set aside for water-skiing and for vessels with engines used for propulsion which exceed 6 kilowatts developed power.

(d) Those waters of Lake Narracan on the northern shore of the area known as Thompsons Bay between the shore and a line of yellow buoys are set aside for manually propelled vessels only.

#### **SCHEDULE 131**

#### **WATERS-THE WATERS OF THE BARWON RIVER UPSTREAM OF THE SHEEPWASH ROAD EXTENSION AND ALL THE WATERS WITHIN THE LAKE CONNEWARRE WILDLIFE RESERVE INCLUDING REEDY LAKE BUT NOT INCLUDING THE WATERS OF THE BARWON RIVER UPSTREAM OF THE LOWER BREAKWATER**

*Local Authority-Secretary, Department of Natural Resources and Environment*

1. 5 knot speed restriction zone for the purposes of Clause 7.

All the waters of Lake Connewarre Wildlife Reserve including Reedy Lake and the Barwon River downstream to the Port of Barwon Heads are subject to a speed restriction of 5 knots.

#### **SCHEDULE 132**

#### **WATERS-THE DESIGNATED PORT OF CORNER INLET AND PORT ALBERT**

*Local Authority-Gippsland Ports Committee of Management Inc.*

1. 20 knot speed restriction zone for the purposes of Clause 7.

For vessels of 25 metres or more in length the waters of Lewis Channel between:

- (i) a line joining No. 1 Beacon Lewis Channel and No. 2 Beacon Lewis Channel; and
- (ii) a line joining No. 14 Beacon Lewis Channel and No. 19 Buoy Lewis Channel-

are subject to a speed restriction of 20 knots.

2. 5 knot speed restriction zone for the purposes of Clause 7.

The waters of the Port of Corner Inlet and Port Albert specified below are subject to a speed restriction of 5 knots:

- (i) For vessels of 25 metres or more in length the waters of Lewis Channel that are east of a line joining No. 14 Beacon Lewis Channel and No. 19 Buoy Lewis Channel.
- (ii) All the waters of the Port Albert Channel enclosed by a line joining the south-east corner of Port Albert Jetty to No. 20 Beacon thence to No. 13 Beacon thence northward to a speed limit notice on the foreshore at Magazine Point.
- (iii) All the waters of the Franklin River upstream from a speed limit notice situated on the bank at the mouth of that river.

3. Prohibition of specific activities for the purposes of Clause 12.

(a) The Master or person in charge of a vessel which is departing Lewis Channel must give way to any vessel that is navigating the Toora Channel.

(b) The Master or person in charge of a vessel 10 metres or more in length intending to proceed outward and in the Lewis Channel from the Shipping Pier or the Boat Harbour at Port Welshpool must not proceed whilst a vessel of 25 metres or more in length is proceeding inward in that channel.

(c) The Master or person in charge of a vessel of less than 10 metres in length intending to

---

**Notice No. 1 Under S. 15(2) Marine Act 1988**

---

proceed outward from The Port Welshpool Boat Harbour must not proceed whilst an inward bound vessel of 25 metres or more in length is underway between the Shipping Pier and the Boat Harbour.

(d) The Master or person in charge of a vessel of 25 metres or more in length inward bound for Port Welshpool must not enter Lewis Channel whilst a vessel of 25 metres or more in length is proceeding outward bound in that channel.

**SCHEDULE 133**  
**WATERS-WOOROONOOK LAKES**  
*Local Authority-Buloke Shire Council*

1. Areas prohibited to vessels for the purposes of Clause 9.

Those waters of Lake Wooroonook that are within an area commencing at a point being the high water level 9 metres south-west of the boat ramp proceed at a magnetic bearing of 127° for 240 metres (following the line of the high water level), then a distance of 50 metres at a magnetic bearing of 222° to a red buoy, then a distance of 220 metres at a magnetic bearing of 307° to a red buoy, then a distance of 50 metres at a magnetic bearing of 16° to the point of commencement are prohibited to vessels.

**SCHEDULE 134**  
**WATERS-BRIDGEWATER LAKES (DISCOVERY BAY COASTAL PARK)**  
*Local Authority-Secretary of the Department of Natural Resources and Environment*

1. Excluded speed limit for the purposes of Clause 3(a).

Those waters of the Bridgewater Lakes not otherwise subject to a prohibition or otherwise designated for specific use under this Schedule are not subject to the requirements of Clause 3(a) of this notice.

2. Access Lanes for the purposes of Clause 5.

The following waters of Bridgewater Lakes are access lanes:

- (a) Those waters extending approximately 50 metres from the waters edge for the time being in an area approximately 20 metres wide with the northern boundary located 70 metres from the Clubhouse at the southern end of the lake and marked by green buoys.
- (b) Those waters extending approximately 30 metres from the waters edge for the time being in an area approximately 20 metres wide adjacent to the beach at the northern end of the lake and marked by green buoys.

3. Speed restriction zone for the purposes of Clause 7.

Those waters of Bridgewater Lakes which are not otherwise designated as an access lane or prohibited waters that are south of a line between two red markers located one each on opposite shores approximately 120 metres north-west and approximately 100 metres north respectively of the Clubhouse at the southern end of the lake are subject to a speed restriction of 5 knots.

4. Prohibition on vessels for the purposes of Clause 9.

Those waters of Bridgewater Lakes extending approximately 20 metres from the edge of the waters for the time being in an area approximately 30 metres wide with the northern boundary located approximately 50 metres north-west from the Clubhouse at the southern end of the lake and marked by red buoys are prohibited to vessels.

5. Prohibition on vessels with engines for the purposes of Clause 10.

Vessels with engines are prohibited within 15 metres of the reed beds or waters edge (where no

---

reeds are present) except within those waters south of a line between two red markers located one each on opposite shores approximately 120 metres north-west and approximately 100 metres north respectively of the Club House at the southern end of the lake and those waters designated as access lanes.

6. Exclusive Use and Special Purpose Areas for the purposes of Clause 13.

- (a) (i) Those waters of the Bridgewater Lakes north of a line between two red markers located one each on opposite shores approximately 120 metres north-west and approximately 100 metres north respectively of the Club House at the southern end of the lake area set aside for vessels with engines which are engaged in water-skiing, personal water craft activity or other power boating activities only during the following times:  
 December-February 10 a.m. to 8 p.m. summertime  
 March-May 10 a.m. to 6 p.m. EST (11 a.m. to 7 p.m. summertime)  
 June-July 10 a.m. to 5 p.m. EST  
 August-November 10 a.m. to 6 p.m. EST
- (ii) Despite 6(a)(i), personal water craft, waterskiing and other powerboat activities may commence at 9 a.m. on those waters south of a line between two white markers one each on opposite shores approximately 1400 metres north of the Club House in the northerly part of the lake.

(b) Fishing from boats and SCUBA diving may only be undertaken in those waters pursuant to Item 6, during those times when water-skiing, personal water craft and other power boating activities are not permitted in those waters.

(c) The water of Bridgewater Lakes set aside for a slalom course and ski jumping area are the waters within an area approximately 80 metres wide by 200 metres long marked on its perimeter by red and yellow buoys located approximately 600 metres north of the Club House.

7. Direction of Travel for the purposes of Clause 14.

A person must operate a vessel with an engine in a clockwise direction in relation to the approximate centre of the waterway.

### **SCHEDULE 135 (Revoked)**

### **SCHEDULE 136**

#### **WATERS-BASS STRAIT-POINT ROADKNIGHT**

##### *Local Authority-State Waters*

1. Prohibition of specific activities for the purposes of Clause 12.

The following waters of Bass Strait are prohibited for the use of personal water craft:

The waters of Bass Strait that are between two lines passing through separate sets of beacons in line on the foreshore, between Point Roadknight Headland and a point approximately 300 metres north of the boat ramp located in Roadknight Bay, and extending 200 metres to seaward from the low water mark.

### **SCHEDULE 137**

#### **WATERS-LAKE MEERING (MERAN)**

---

---

**Notice No. 1 Under S. 15(2) Marine Act 1988**

---

*Local Authority-Gannawarra Shire Council*

1. Excluded speed limit for the purposes of Clause 3(a).

The waters of Lake Meering not otherwise specified as a speed restriction zone or an area prohibited to vessels are excluded from the requirements of Clause 3(a) of this notice.

2. Access lane for the purposes of Clause 5.

The waters of Lake Meering between two signposts located on the shore 147 metres and 207 metres east of the boatramp and extending approximately 50 metres from the shore with the outer limit marked by green buoys are an access lane.

3. 5 knot speed restriction zone for the purposes of Clause 7.

The waters of Lake Meering that-

- (a) are within 50 metres of the waters edge;
- (b) generally lie to the south and west of a line of yellow buoys located between a signpost on Condelys Point and another signpost on the eastern shore-

are subject to a speed restriction of 5 knots.

4. Area prohibited to vessels for the purposes of Clause 9.

The waters of Lake Meering between two signposts located on the shore 30 metres and 107 metres east of the boatramp and extending approximately 70 metres from the shore with the outer limit marked by red buoys are prohibited to vessels.

**SCHEDULE 138 (Revoked)****SCHEDULE 139****WATER-LAKE CHARM***Local Authority-Gannawarra Shire Council*

Interpretation: In this Schedule Boat Launching Ramp No. 1 means the boat launching ramp located on the western lake shore adjacent to the south east corner of the "Hiawatha Caravan Park". Boat launching Ramp No. 2 is the boat launching ramp located adjacent to the Ski Boat Club House on the South Western shore of Lake Charm.

1. Access lanes for the purposes of Clause 5.

The waters of Lake Charm extending approximately 30 metres from the waters edge and the limits marked by signposts on the shore and green buoys in the water-

- (a) between 51 and 100 metres north of Boat Launching Ramp No. 1;
- (b) between 31 and 80 metres south of Boat Launching Ramp No. 2; and
- (c) between 76 and 150 metres north of Boat Launching Ramp No. 2-

are access lanes.

2. Areas prohibited to vessels for the purposes of Clause 9.

The waters of Lake Charm extending 30 metres from the waters edge and the limits marked by signposts on the shore and red buoys on the water-

- (a) between 101 and 140 metres north of Boat Launching Ramp No. 1; and
- (b) between 150 and 181 metres north of Boat Launching Ramp No. 2-

are prohibited to vessels.

3. Exclusive use or special purpose area for the purpose of Clause 13.

The waters of Lake Charm adjacent to the Yacht Club House that are within a boundary defined by a line from a signpost on the shore approximately 40 metres south of the club house, hence by a line in a East South Easterly direction to a yellow and red buoy approximately 150 metres from the waters edge, thence in an North Easterly direction for 150 metres to another yellow and red buoy and thence to a sign post on the shore approximately 110 metres north of the Yacht Club

---

House, is set aside for sailing vessels only.

**SCHEDULE 140**  
**WATERS-KANGAROO LAKE**

*Local Authority-Gannawarra Shire Council*

Interpretation: In this schedule Boat Ramp No. 1 means the boat launching ramp located on the Northern end of the lake shore adjacent to the Kangaroo Lake Caravan Park. Boat Ramp No. 2 is the boat launching ramp located on the Western shore of the lake at Gorton Point, adjacent to the Shire of Kerang Caravan and Camping Area. The toilet block is located at the Shire of Kerang Caravan and Camping area at Gorton Point.

1. Access lanes for the purpose of Clause 5.

The waters of Kangaroo Lake extending approximately 30 metres from the waters edge and the limits marked by sign posts on the shore and green buoys in the water-

- (a) between 20 m and 100 m West of Boat Ramp No. 1;
- (b) between 150 m and 225 m West of Boat Ramp No. 1;
- (c) between 10 m and 150 m South of Boat Ramp No. 2; and
- (d) between 350 m and 410 m South of the Gorton Point toilet block-

are access lanes.

2. Areas prohibited to vessels for the purpose of Clause 9.

The waters of Kangaroo Lake extending approximately 30 metres from the waters edge and the limits marked by sign posts on the shore and red buoys in the water-

- (a) between 20 m and 100 m East of Boat Ramp No. 1;
- (b) between 125 m and 150 m West of Boat Ramp No. 1;
- (c) between 230 m and 730 m West of Boat Ramp No. 1;
- (d) between 160 m and 360 m South of Boat Ramp No. 2; and
- (e) between 415 m and 715 m South of the Gorton Point toilet block-

are prohibited to vessels.

**SCHEDULE 141**  
**WATERS-DOCK LAKE**

*Local Authority-Wimmera Mallee Rural Water Authority*

1. Water-skiing prohibited for the purposes of Clause 8.

The whole of the waters of Dock Lake are prohibited to water-skiers and vessels towing water skiers.

2. Area prohibited to vessels for the purposes of Clause 9.

The following waters of Dock Lake are prohibited to vessels.

- (a) Outlet Works - The waters of Dock Lake for a radius of 30 metres around the outlet works; and
- (b) Inlet Channel - The waters of Dock Lake within the inlet channel south of a line between two beacons inscribed "Stop" and "Prohibited Water Beyond This Point" located on opposite shores at the entrance to the channel.

3. Prohibition of specific activities for the purposes of Clause 12.

The whole of the waters of Dock Lake are prohibited for the use of personal water craft.

---



**SCHEDULE 142**  
**WATERS-PINE LAKE**

*Local Authority-Wimmera Mallee Rural Water Authority*

1. 5 knot speed restriction for the purposes of Clause 7.

The waters of Pine Lake within a line of yellow buoys that are approximately 50 metres off the embankment, except in the prohibited area, are subject to a speed restriction of 5 knots.

2. Water skiing prohibited for the purposes of Clause 7.

The whole of the waters of Pine Lake are prohibited to water skiers and vessels towing water skiers.

3. Areas prohibited to vessels for the purposes of Clause 9.

The following waters of Pine Lake are prohibited to vessels:

- (a) Outlet Works - The waters of Pine Lake within a radius of 50 metres around the outlet works; and
- (b) Inlet Channel - The waters of Pine Lake within the Inlet Channel and approach to the Inlet Channel and south of a line between two beacons inscribed "Stop" and "Prohibited Water Beyond This Point" located on opposite shores of the approach to the channel.

4. Prohibition of specific activities for the purposes of Clause 12.

The whole of the waters of Pine Lake are prohibited for the use of personal water craft.

**SCHEDULE 143**  
**WATERS-TAYLORS LAKE (HORSHAM)**

*Local Authority-Wimmera Mallee Rural Water Authority*

1. 5 knot speed restriction zones for the purpose of Clause 7.

The following waters of Taylors Lake are subject to a speed restriction of 5 knots:

- (a) The waters of Taylors Lake within a radius of 30 metres of the boat launching area located on the north-east shore; and
- (b) The waters of Taylors Lake within 50 metres of the embankment except the area prohibited to vessels.

2. Water skiing prohibited for the purposes of Clause 8.

The waters of Taylors Lake south of a line between two beacons inscribed "Water Skiing and Personal Water Craft Prohibited" situated on opposite shores of the Lake and located approximately 2 kilometres south of the outlet works are prohibited to water skiers and vessels towing water skiers.

3. Areas prohibited to vessels for the purposes of Clause 9.

The following waters of Taylors Lake are prohibited to vessels:

- (a) Outlet Works - The waters of Taylors Lake within a radius of 50 metres around the outlet works; and
- (b) Inlet Channel - The waters of Taylors Lake within the Inlet Channel and approach to the Inlet Channel and south of a line between two beacons inscribed "Stop" and "Prohibited Water Beyond This Point" located on opposite shores of the approach to the channel.

4. Prohibition of specific activities for the purposes of Clause 12.

The waters of Taylors Lake south of a line between two beacons inscribed "Water Skiing and Personal Water Craft Prohibited" situated on opposite shores of the Lake and located

---

approximately 2 kilometres south of the outlet works are prohibited for the use of personal water craft.

#### **SCHEDULE 144**

##### **WATERS-LAKE TOOLONDO**

*Local Authority-Horsham Rural City Council*

1. 5 knot speed restriction zones for the purposes of Clause 7.

The following waters of Lake Toolondo are subject to a speed restriction of 5 knots:

- (a) within a radius of 30 metres of the boat launching area located on the north-west shore; and
- (b) excluding the prohibited area defined in sub-item 4(b) extending approximately 50 metres from the edge of the water for the time being in area approximately 150 metres wide with the western boundary being located approximately 15 metres west of the boat launching ramp situated on the northern shore and extending in an easterly direction to within 30 metres of the inlet channel.

2. Water skiing prohibited for the purposes of Clause 8.

All the waters of Lake Toolondo except the two large open water areas defined by signs "Prescribed Water Ski Area" affixed to trees around the perimeter and located in the north-west and central western parts of the Lake and the area extending 140 metres from shore and located between the two boat launching ramps in the north-west corner of the Lake are prohibited to water skiers and vessels towing water-skiers.

3. Areas prohibited to vessels for the purposes of Clause 9.

Those waters in the northern area of Lake Toolondo-

- (a) within the inlet channel and within a radius of 30 metres around the entrance to the inlet channel; and
- (b) within a swimming area extending approximately 30 metres from the edge of the water in an area from the prohibited area described in sub-item 3(a) westerly to approximately 25 metres east of the northern boat launching ramp.

4. Prohibition of specific activities for the purposes of Clause 12.

The waters of Lake Toolondo where a 5 knot speed restriction applies and where water skiing and vessels towing water skiers area prohibited, are also prohibited for the use of personal water craft.

5. Direction of travel for the purposes of Clause 14.

All vessels must proceed in a clockwise direction when operating in those waters of Lake Toolondo in which water skiing, vessels towing water skiers and personal water craft are permitted.

#### **SCHEDULE 145**

##### **WATERSXLAKE CHARLEGRARK**

*Local AuthorityXThe Lake Charlegrark Recreation Reserve Committee Inc.*

1. Excluded speed limits for the purposes of Clause 3(a).

The waters of Lake Charlegrark are not subject to the requirements of Clause 3(a) of this notice.

2. Access lanes for the purposes of Clause 5.

The waters of Lake Charlegrark extending 60 metres from the edge of the waterX

- (a) between two sign posts on the shore approximately 100 metres apart situated approximately 20 metres south east of the launching ramp on the western shore of
-

- the Lake; and
- (b) between two sign posts on the shore approximately 100 metres apart situated immediately north of the inlet on the western shore of the Lake; and
  - (c) between two sign posts on the shore approximately 75 metres apart situated immediately south of Carrachers Lane adjacent to the Oakfield Cottages on the eastern shore of the Lake; and
  - (d) between two signposts on the shore approximately 100 metres apart situated 22 metres southeast of the jetty on the Foreshore Reserve;
- are access lanes. Access lanes are marked on the shore by signs and on the water by green buoys.
3. 5 knot speed restriction zone for the purposes of Clause 7.
- Unless otherwise specified in an item in this schedule as an access lane under Clause 5, the waters of Lake Charlegrark that are within 60 metres of the waters edge are subject to a speed restriction of 5 knots.
4. Area prohibited to vessels for the purposes of Clause 9.
- The waters of Lake Charlegrark that lie within an area on the northwest side of the jetty on the Foreshore Reserve bounded by the jetty and a line of red buoys on the water extending from the end of the jetty to a sign on the shore, are prohibited to vessels.

**SCHEDULE 146**  
**WATERS-LAKE COLAC**

*Local Authority-State Waters*

1. Area prohibited to vessels for the purposes of Clause 9.
- The waters of Lake Colac extending approximately 1,830 metres from the waters edge between two lines of red markers in the water installed and maintained by the Colac Rifle Club, each line commencing from a sign on the shore adjacent to Rifle Butt Road and Deans Creek respectively, are prohibited to vessels on Saturdays between midday and 6pm.

**SCHEDULE 147**  
**WATERS-NHILL LAKE**

*Local Authority-Nhill Lake Committee of Management Inc.*

1. Access lane for the purposes of Clause 5.
- The waters of Nhill Lake described below are an access lane.
- An area between two lines extending off-shore 30, the eastern boundary being five metres west of the boat ramp extending westwards to the eastern boundary of the area prohibited to vessels under Item 2 of this Schedule.
2. Area prohibited to vessels for the purposes of Clause 9.
- The waters of Nhill Lake adjacent to Clarence Street and Campbell Street and delineated by red posts on the shore and red buoys in the water are prohibited to vessels.
3. Direction of travel for the purposes of Clause 14.
- Vessels must proceed in a clockwise direction in relation to the approximate centre of Nhill Lake.

**SCHEDULE 148**  
**WATERS-BASS STRAIT, LADY BAY, WARRNAMBOOL**

*Local Authority-State Waters*

1. Vessels with engines prohibited for the purposes of Clause 10.
-

All the waters within 200 metres of the waters edge from approximately 230 metres north of the Warrnambool Yacht Club to the vicinity of Granny's Grave, as delineated by signs or buoys erected by the Warrnambool City Council are prohibited to vessels with engines between 1 November and 30 April.

**SCHEDULE 149**

**WATERSLAKE SAMBELL**

*Local Authority* **Indigo Shire Council**

1. 5 knot speed restriction zone for the purposes of Clause 7.

The whole of the waters of Lake Sambell are subject to a speed restriction of 5 knots.

---

**Marine Act 1988****NOTICE OF EXEMPTIONS FROM PAYMENT OF A BOATING FACILITIES AND SAFETY EDUCATION FEE**

Notice is hereby given under Regulation 800(3) of the Marine (Fees) Regulations 1988 made under the provisions of the **Marine Act 1988** of exemptions as described in this notice from the requirement of an owner of a recreational vessel to pay a boating facilities and safety education fee paid in respect of the vessel as prescribed in Regulation 800(1) of the Regulations.

*Revocation*

This notice revokes the notice made under Regulation 800(3) of the Marine (Fees) Regulations 1988 made by the Marine Board on 20 December 1988.

*General Exemptions from Payment of a Boating Facilities and Safety Education Fee*

1. The owner of a recreational vessel of a class described in this clause is exempt from the requirement to pay a boating facilities and safety education fee in respect of the vessel as prescribed in Regulation 800(1) of the Marine (Fees) Regulations, subject to the conditions (if any) specified below-

- (a) a Government vessel; and
- (b) a vessel of a statutory corporation; and
- (c) a vessel displaying a special identification plate; and
- (d) a vessel which-
  - (i) is temporarily being operated on State waters; and
  - (i) is exempt from registration as a vessel in the State or Territory of the Commonwealth in which the owner of the vessel ordinarily resides; and
- (e) a vessel which-
  - (i) is temporarily being operated on State waters; and
  - (ii) is registered as a vessel in a State or Territory of the Commonwealth; and
  - (iii) displays in accordance with any Act or regulation of the State or Territory an identifying plate, mark or number issued or allocated by the relevant authority for the vessel; and
- (f) a hire and drive vessel which complies with the requirements of Part 6, Division 2 of the Marine (Vessels) Regulations 1988; and
- (g) a vessel operated by a unit of the Australian Sea Cadets Corps.

*Exemption from Payment of a Boating Facilities and Safety Education Fee-Discharged Members of the Forces*

2. A discharged member of the forces who by reason of incapacity sustained or suffered as a result of war service is assessed pursuant to the Veterans' Entitlements Act 1986 of the Commonwealth-

- (a) as being totally incapacitated; or
- (b) as being seriously impeded in his or her powers of locomotion and incapacitated to an extent of not less than seventy five per centum-

is exempt from the requirement to pay a boating facilities and safety education fee in respect of a recreational vessel as prescribed in Regulation 800(1) of the Marine (Fees) Regulations 1988,

---

**Notice Under Reg. 800(3) Marine (Fees) Regulations 1988**

---

subject to the Marine Board of Victoria being satisfied by such evidence as it may require in a particular case that-

- (c) the vessel is owned by the applicant; and
- (d) the applicant is incapacitated as specified; and
- (e) the vessel will not be used for carrying passengers or goods for hire or reward; and
- (f) the vessel will be used primarily for the conveyance of the discharged serviceman and his or her spouse and other family members; and
- (g) an exemption is appropriate in the circumstances of the case.

This notice was made by the Marine Board of Victoria on 26<sup>th</sup> June 1998 under Regulation 800(3) of the Marine (Fees) Regulations 1988.

BRUCE PHILLIPS, Chief Executive, Marine Board of Victoria

**Marine Act 1988**  
**NOTICE OF EXEMPTIONS FROM EQUIPMENT REQUIREMENTS FOR**  
**RECREATIONAL VESSELS**

Notice is hereby given under Regulation 603(4) of the Marine (Vessels) Regulations 1988 made under the provisions of the **Marine Act 1988** of exemptions as described in this notice from the equipment requirements prescribed in Regulations 603(2) and 603(3) of the Regulations.

*Revocations*

This notice revokes all notices previously made under Regulation 603(4) of the Marine (Vessels) Regulation 1988.

*Interpretation*

1. In this notice-

“**Approved buoyancy garment**” means an approved buoyancy garment defined in Regulation 103 of the Marine (Vessels) Regulations 1988.

“**Approved buoyancy vest**” means an approved buoyancy vest defined in Regulation 103 of the Marine (Vessels) Regulations 1988.

“**Approved lifejacket**” means an approved lifejacket defined in Regulation 103 of the Marine (Vessels) Regulations 1988.

“**Approved personal flotation device type 1**” means an approved personal flotation device type 1 defined in Regulation 103 of the Marine (Vessels) Regulations 1988.

“**Approved personal flotation device Type 2**” means an approved personal flotation device defined in Regulation 103 of the Marine (Vessels) Regulations 1988.

“**Approved personal flotation device Type 3**” means an approved personal flotation device defined in Regulation 103 of the Marine (Vessels) Regulations 1988.

“**Personal water craft**” includes a power ski, aqua-scooter, jet bike, jet ski, wave runner, wave jammer, ski-free, motorised surfboard and any similar vessel that has an engine used for propulsion.

“**Sailing vessel**” means a vessel solely powered by sail.

“**Smooth or enclosed waters**” has the same meaning as in regulation 603(1) of the Marine (Vessels) Regulations 1988.

“**Tender**” means a vessel not more than 5 metres in length which is used as a means of transportation on any inland waters or on the waters of a port or an associated port-

- (a) between the shore and another vessel not more than 300 metres from the shore; or
- (b) between vessels which are not more than 300 metres from the shore.

*Total Exemptions from Equipment Requirements*

2. A person operating a vessel of a class described in this clause is exempt from the equipment requirements prescribed in Regulations 603(2) and 603(3) of the Marine (Vessels) Regulations 1988, subject to the conditions (if any) specified below-

- (a) All racing shells whilst actually engaged in racing or bona fide training.
  - (b) A tender.
  - (c) A sailing vessel including a sailboard, catamaran or other similar vessel which does not have permanent accommodation but has a permanently enclosed hull, if each occupant of the vessel wears an approved lifejacket, an approved buoyancy garment,
-

---

*Notice Under Reg. 800(3) Marine (Fees) Regulations 1988*

---

- an approved buoyancy vest or an approved personal flotation device Type 1, Type 2 or Type 3 at all times.
- (d) A canoe, kayak or other vessel of similar construction if each occupant of the vessel wears an approved lifejacket, an approved buoyancy garment, an approved buoyancy vest or an approved personal flotation device Type 1, Type 2 or Type 3 at all times.
  - (e) A personal water craft if each or any occupant of the vessel wears an approved lifejacket, an approved buoyancy garment, an approved buoyancy vest or an approved personal flotation device Type 1, Type 2 or Type 3 at all times.
  - (f) All vessels used by lifesaving clubs affiliated with the Royal Lifesaving Society (Australia) and the Surf Lifesaving Association (Australia) State Centre for and in connection with lifesaving if the vessels are actively engaged in lifesaving patrols or duties off the beaches.
  - (g) A canoe or kayak whilst engaged in competing in a marathon or long distance race or a sprint race, conducted by or with the approval of the Victorian Amateur Canoe Association (Inc.) or any club affiliated with that Association, not being a race any part of which is conducted on water forming rapids.
  - (h) A canoe or kayak each occupant of which is a person registered with the Victorian Amateur Canoe Association (Inc.) as a competitor eligible to compete in races of the kinds described in sub-clause (g), whilst engaged in bona fide training.
  - (i) All vessels engaged in competing in a power boat race on smooth or enclosed waters when under the supervision of the Australian Power Boat Association and the race is conducted in accordance with the Racing and Safety Rules of that Association and the operator of the vessel and any occupant being carried wears an approved personal flotation device type 1, type 2 or type 3, an approved lifejacket, an approved buoyancy vest or an approved buoyancy garment.
  - (j) All vessels fitted with a reinforced cockpit approved by the Australian Power Boat Association and engaged in competing in a power boat race on smooth or enclosed waters when under the supervision of the Association and the race is conducted in accordance with the Racing and Safety Rules of that Association and the operator of the vessel and any occupant being carried wears an approved personal flotation device type 1, type 2 or type 3, an approved lifejacket, an approved buoyancy vest or an approved buoyancy garment or some other type of buoyancy equipment which the Association has specifically approved.
  - (k) Any recreational vessel domiciled outside Victoria and operated on State waters for up to 3 months on any visit to Victoria if the vessel conforms with the equipment requirements of the State or Territory of origin.

*Limited Exemptions from Equipment Requirements*

3. A person operating a vessel of a class described in this clause is exempt from the particular equipment requirements specified in this clause and prescribed in Regulations 603(2) and 603(3) of the Marine (Vessels) Regulations 1988, subject to the conditions (if any) specified below-
- (a) A sailing vessel of less than 5 metres in length is exempt from the requirement to carry in anchor and anchor cable.
  - (b) A sailing vessel of less than 5 metres in length is exempt from the requirement to carry paddles or oars and rowlocks if a single paddle is carried, torches or lanterns
-



**Notice Under Reg. 603(4) Marine (Vessels) Regulations 1988**

---

- and flares when engaged in organised racing in daylight.
- (c) A sailing vessel 12 metres or more in length which is used solely as a recreational vessel is exempt from the requirement to carry a dinghy or liferaft.
  - (d) Sailing vessels used for racing are exempt from the requirement to carry lifejackets or personal flotation devices Type 1 where each crew member on board wears either an approved buoyancy garment or an approved buoyancy vest or an approved personal flotation device Type 2 or Type 3 at all times when the vessel is underway.

This notice was made by the Marine Board of Victoria on 26<sup>th</sup> June 1998 under Regulation 603(4) of the **Marine Act 1988**.

BRUCE PHILLIPS, Chief Executive, Marine Board of Victoria

**Notice Under Reg. 800(3) Marine (Fees) Regulations 1988****Marine Act 1988****ORDER DECLARING PERSONS OR BODIES TO BE LOCAL AUTHORITIES IN RESPECT TO SPECIFIED STATE WATERS**

Pursuant to section 3(3)(b) of the **Marine Act 1988** I hereby declare the persons or bodies listed in Column 1 of the following table to be a local authority in respect to the State waters specified opposite the name of the local authority in Column 2 of the table.

**TABLE**

<b>PART 1 – MUNICIPAL COUNCILS</b>	
<b>Local Authority</b>	<b>State Waters</b>
Ararat Rural City Council	Green Hill Lake
Ballarat City Council	Lake Burrumbeet Lake Learmonth Lake Wendouree
Buloke Shire Council	Browns Lake Green Lake Wooronook Lake
Campaspe Shire Council	Taylor's Creek
Central Goldfields Shire Council	Goldfields Reservoir Lake Victoria
Colac Otway Shire Council	Designated Port of Apollo Bay
Corangamite Shire Council	Designated Port of Port Campbell Lake Tooliorook
Delatite Shire Council	Broken River within the Shire of Delatite
East Gippsland Shire Council	Bemm River within the Shire of East Gippsland Lake Tyers
Gannawarra Shire Council	Gunbower Creek Kangaroo Lake Lake Charm Lake Meering (Meran)
Greater Bendigo City Council	Lake Weeroona
Greater Shepparton City Council	Kialla Lake The waters of the International Village Victoria Park Lake
Hindmarsh Shire Council	Lake Hindmarsh The Wimmera River within the Shire of Hindmarsh
Horsham Rural City Council	Green Lake Lake Natimuk Lake Toolondo

---

*Order Under S. 3(3)(b) Marine Act 1988*

---

Indigo Shire Council	The Wimmera River within the Boundaries of the Horsham Rural City Fletcher's Dam Lake Kerford Lake Sambell
La Trobe Shire Council	Lake Narracan
Loddon Shire Council	Loddon River within the Shire of Loddon Little Lake Boort
Mildura Rural City Council	Lake Cullulleraine
Mornington Peninsula Shire Council	Balcombe Creek within the Shire of Mornington Peninsula
Moyne Shire Council	Designated Port of Port Fairy
Northern Grampians Shire Council	Lake Batyo Catyo Lake Fyans Hollands Lake Lake Lonsdale The St Arnaud Reservoir Teddington Reservoir No. 2 The Volcano Water Storage Walkers Lake All Rivers and Streams within the Shire of Northern Grampians
Pyrenees Shire Council	Beaufort Park Lake
Southern Grampians Shire Council	Lake Hamilton Lake Linlithgow and Bullrush Swamp
Strathbogie Shire Council	The Goulburn River from Hughes Creek to Goulburn Weir including Lake Nagambie
Surf Coast Shire Council	Anglesea River from Bass Strait to Coal Mine Road, Anglesea Lake Modewarre at Moriac Lake Murdeduke Painkalac Creek from Bass Strait to Boundary Road, Aireys Inlet
Swan Hill Rural City Council	Lake Boga
Warrnambool City Council	The Hopkins River between the seaward outlet and Tooram Stones The Merri River between the seaward outlet and the Brownfield Street Weir Designated Port of Warrnambool
Whitehorse City Council	Blackburn Lake
Yarriambiack Shire Council	Yarriambiack Creek (within the Yarriambiack Shire)

---

---

**PART 2 – GOVERNMENT DEPARTMENTS AND AUTHORITIES**

---

Barwon Region Water Authority	The Barwon River between the lower Breakwater and Orana Road Bolwarra Weir Bostock Reservoir Korweinguboorra Reservoir Lower Stoney Creek Reservoir Railway Weir She Oaks Weir Upper Stoney Creek Reservoir West Barwon Dam Wurdee Buloc Reservoir
Gippsland and Southern Water Authority	Blue Rock Lake Cowwarr Weir Lake Glenmaggie Melton Reservoir Pykes Creek Reservoir
Goulburn-Murray Water	Lake Banimboola (Dartmouth Pondage) Lake Buffalo Cairn Curran Reservoir Lake Dartmouth Lake Eildon and Eildon Pondage Lake Eppalock Greens Lake (Corop) Lake Hume Laanecoorie Reservoir Loch Garry Middle and Reedy Lakes Lake Mokoan Lake Mulwala including the Ovens River below the road bridge at the Murray Valley Highway Lake Nillahcootie Waranga Basin Lake William Hovell
Parks Victoria	Maribyrnong River upstream of Shepherds Bridge on Footscray Road Patterson River upstream of Nepean Highway Bridge to Eumemmering Creek Designated Port of Port Phillip Designated Port of Western Port Yarra River upstream of the Charles Grimes Bridge

---

---

*Order Under S. 3(3)(b) Marine Act 1988*

---

Melbourne Water

Cherry Lake, Altona

Laverton Creek upstream of the outlet to Port Phillip Bay to Queen Street, Altona  
Skeleton Creek upstream of the outlet to Port Phillip to Point Cook Road, Altona and Werribee

The following lakes on Taylors Creek, Keilor – Taylors Lake, Lake Kingfish, Lake Spoonbill, Lake Heron, Lake Shelduck, Lake Ibis and Lake Cormorant

Secretary of the Department of Natural Resources and Environment

Aire River downstream of the Great Ocean Road Bridge

All the waters within the Lake Albacutya National Park

All the waters within the Barmah State Park

The waters of the Barwon River upstream of the Sheepwash Road extension and all the waters within Lake Connewarre Wildlife Reserve including Reedy Lake but not including the waters of the Barwon River upstream the Lower Breakwater

Bridgewater Lakes (Discovery Bay Coastal Park)

Browns Swamp

Lake Carpull

Lake Catani (Mount Buffalo National Park)

Lake Cooper

Lake Costin

Lake Craven

Fitzroy River

Gellibrand River downstream of the bridge at Princetown

The waters of the Glenelg River within Victoria between the mouth and the junction with the Crawford River at Dartmouth

All the waters within Hattah-Kulkyne National Park

Heywood Lake

Lake Horden

All the waters within the Kings Billabong Wildlife Reserve

Lake Lysterfield

---

**Notice Under Reg. 800(3) Marine (Fees) Regulations 1988**

	Malseeds Lake
	Lake Monebeong (Lake Bung Bung)
	Mueller Inlet with the Croajingolong National Park
	Lake Powell
	Lake Reeve
	Lake Surprise (Mount Eccles National Park)
	Surrey River (upstream of the Princes Highway Bridge)
	Swan Lake
	Sydenham Inlet and all navigable waters with an opening to that inlet
	Tamboon Inlet and all navigable waters with an opening to that inlet
	Teddington Reservoir Number One (Upper Kara Kara State Park)
	All the waters within the Wathe Wildlife Reserve
	All the waters within the Wilsons Promontory National Park
	Wingan Inlet within the Croajingolong National Park
	All the waters within Wyperfeld National Park
Goulburn Broken Catchment Management Authority	The Goulburn River upstream of Goulburn Weir within the Shires of Mitchell and Murrindindi
Wimmera Mallee Rural Water Authority	Lake Bellfield
	Dock Lake
	Pine Lake
	Rocklands Reservoir
	Taylors Lake
	Lake Wartook

**PART 3 – COMMITTEES OF MANAGEMENT**

The Committee of Management of Allans Flat Recreation Reserve Inc.	Allans Flat-Lake
Barwon Coast Committee of Management Inc.	Designated Port of Barwon Heads
The Lake Bolac Foreshore Committee of Management Inc.	Lake Bolac
The Lake Bullen Merri Committee of Management Inc.	Lake Bullen Merri
The Lake Charlegrark Recreation Reserve	Lake Charlegrark

*Order Under S. 3(3)(b) Marine Act 1988*

Committee Inc.	
Lake Lascalles and Corrong Committee of Management Inc.	Lake Corrong Lake Lascalles
The Curdies River and Recreation Reserve Committee of Management Inc.	Curdies River and Curdies Inlet between French's Bridge and the Great Ocean Road Bridge at Peterborough
The Deep Lake Recreation Reserve Committee of Management Inc.	Deep Lake
The Committee of Management for the Bridgewater on Loddon Public Park Reserve Inc.	The Loddon River-at Bridgewater between Flour Mill Weir and Sweeneys Lane
Gippsland Ports Committee of Management Inc.	Designated Port of Anderson Inlet Designated Port of Corner Inlet and Port Albert Designated Port of Gippsland Lakes Designated Port of Snowy River Designated Port of Mallacoota
Lorne Foreshore Committee of Management Inc. Mitta Mitta River Improvement Trust	Designated Port of Lorne Mitta Mitta River within the Shire of Towong between the top water line of Lake Hume and the junction of the river with Callaghan Creek
Committee of Management for Lake Moodemere Public Purposes Reserve Inc.	Lake Moodemere
Nhill Lake Committee of Management Inc.	Nhill Lake
The Lake Purrumbete Foreshore Committee of Management Inc.	Lake Purrumbete
St George's Lake Scenic Resource Committee of Management Inc.	Lake St. George
The Committee of Management of Narrawong Camping and Recreation Reserve Corporation	Surrey River between the seaward the outlet and the Princes Highway Bridge
Tchum Lake South Committee of Management Inc.	Tchum Lake South
The Lake Wallace Foreshore Reserve Committee of Management Inc.	Lake Wallace
Walpeup Lake Committee of Management Inc.	Walpeup Lake

**PART 4 - OTHERS**

Hazelwood Power Corporation Ltd	Hazelwood Cooling Pond
Southern Hydro Ltd	Kiewa and Rubicon Hydro Electric Scheme Waters including Rocky Valley Dam, Pretty Valley Dam, Junction Dam at Bogong, Clover Dam, Mount Beauty

1824 G 26 2 July 1998

Victoria Government Gazette

**Notice Under Reg. 800(3) Marine (Fees) Regulations 1988**

---

Regulating Pondage, Rubicon Dam,  
Royston Dam and Rubicon Falls Dam

---

Dated 22 June 1998

**GEOFF CRAIGE**  
Minister for Roads and Ports

---



**This page left intentionally blank.**

**Workers Compensation Act 1958****NOTICE OF NEW BENEFIT RATES PAYABLE IN ACCORDANCE WITH SECTION 9 AND SECTION 11**

(a) Section 9(3) of the **Workers Compensation Act 1958** provides for rates of compensation to be adjusted on 1 July in any year in line with movements in the Australian male average weekly earnings between the December quarter of the two preceding years as published by the Australian Statistician at 15 June in each respective year.

The Australian male average weekly earnings for the December quarter of 1996 and 1997 were \$679.80 and \$709.30 respectively, an increase of 4.3%.

Notice is hereby given that calculations in accordance with the said section produce the following rates of compensation which are payable, on and from 1 July 1998 instead of the amounts specified in Section 9 of the said Act, in the clauses under the heading "The Clauses Referred To".

<b>The amount specified in "The Clauses Referred To" (wherever occurring)</b>	<b>Rates before 1 July 98</b>	<b>Rates from 1 July 98</b>
<b>COMPENSATION FOR THE DEATH OF A WORKER</b>		
1(a) (i) 33160	\$ 105,480	\$ 110,057
8088	\$ 25,731	\$ 26,848
7566	\$ 24,065	\$ 25,109
7044	\$ 22,407	\$ 23,379
6523	\$ 20,748	\$ 21,648
6001	\$ 19,088	\$ 19,916
5479	\$ 17,427	\$ 18,183
4957	\$ 15,768	\$ 16,452
4435	\$ 14,107	\$ 14,719
3914	\$ 12,452	\$ 12,992
3392	\$ 10,788	\$ 11,256
2870	\$ 9,129	\$ 9,525
2348	\$ 7,467	\$ 7,791
1826	\$ 5,808	\$ 6,060
1826	\$ 5,808	\$ 6,060
1(a)(ii) 33160	\$ 105,480	\$ 110,057
<b>WEEKLY PAYMENTS</b>		
1(b) (i) 105	\$ 335	\$ 350
30	\$ 93	\$ 97
10	\$ 32	\$ 33
155	\$ 495	\$ 516
78	\$ 247	\$ 258
135	\$ 427	\$ 446
<b>TOTAL LIABILITY FOR WEEKLY PAYMENTS</b>		
1(b) (iii) 36,960	\$ 117,567	\$ 122,669

(b) Section 11(1) of the **Workers Compensation Act 1958** provides for rates of compensation for certain specified injuries to be set percentages of the maximum payable, at the time of the injury, under Clause 1(a)(ii).

**Environment Protection Act 1970**

ACT NO. 8056

**Grant of Accreditation**

The Environment Protection Authority, under section 26B of the **Environment Protection Act 1970**, granted accreditation on 23 June 1998 to the following licence holder:- BHP Petroleum Pty. Ltd. in respect of its Methanol Research Plant premises situated at Fitzgerald Road, Laverton North.

WAYNE SAUNDERSON

Secretary

Environment Protection Authority

**Environment Protection Act 1970**

ACT NO. 8056

**Grant of Accreditation**

The Environment Protection Authority, under section 26B of the **Environment Protection Act 1970**, granted accreditation on 23 June 1998 to the following licence holder:- BASF Australia Limited in respect of its premises situated at Kororoit Creek Road, Altona.

WAYNE SAUNDERSON

Secretary

Environment Protection Authority

**Domestic (Feral & Nuisance) Animals Act 1994**

Notice is given that at its meeting on 30 June 1997, Council made the following order in accordance with Section 26 of the **Domestic (Feral & Nuisance) Animals Act 1994**, which is to come into effect on the date of its publishing in the Government Gazette and in the local newspapers:

1. All dogs must be kept under the effective control of a person by means of a chain, cord or leash (not exceeding 2 metres in length) when in a public place (which term includes, but is not limited to, parks, footpaths, nature strips, traffic islands and shared pathways) within Council's municipal district, except where:
  - 1.1 that public place has, by virtue of clause 2 of this Order, been designated as an area where dogs are permitted to be kept off-leash; or

- 1.2 the dog is participating in obedience training or other activity of a type which has been approved by Council.
2. Council designates the areas listed in Schedule A as areas where dogs are permitted to be kept off-leash.
3. A dog which is permitted to be kept off-leash in an area is not required to be kept under the effective control of a person by means of chain, cord or leash, provided that the dog is accompanied by a person and that person:
  - 3.1 does not allow the dog to worry, threaten or attack any person or animal;
  - 3.2 carries a chain, cord or leash (not exceeding 2 metres in length) sufficient to bring the dog under effective control should the dog worry, threaten or attack any person or animal;
  - 3.3 remains close enough to the dog so as to be able to immediately bring the dog under the effective control by means of a chain, cord or leash;
  - 3.4 brings the dog under effective control by means of a chain, cord or leash immediately upon the dog commencing to worry, threaten or attack any person or animal; and
  - 3.5 keeps the dog under effective control by means of a chain, cord or leash (not exceeding 2 metres in length) whenever the dog is within 30 metres of an unfenced playground area, a barbecue or picnic facility, or a sporting oval which is being used for a sporting event, or other organised public event.
4. Council designates the areas listed in Schedule B as areas where dogs are not permitted at any time.
5. Council may, subject to public comment and public notice, add to, delete and vary the areas listed in Schedule A and Schedule B.

**SCHEDULE A**

Dogs are permitted to be kept off-leash in the following areas within the municipal district of the Yarra City Council:

W. J. Peterson Oval, Brunswick Street, North Fitzroy.

Coate Park, Coate Street, Fairfield.

Citizens Park, Highett Street, Richmond.

Burnley Park, Park Grove, Richmond.

Kevin Bartlett Reserve, Yarra Boulevard, Richmond.

Flockhart Reserve, Flockhart Street, Abbotsford.

\* Edinburgh Gardens, Brunswick Street, North Fitzroy (border to run north to south, with west-side to be on-leash area and east-side to be off-leash area).

\* Barkly Gardens, Coppin Street, Richmond (border to run across from east to west in alignment with Rose Street with south half to be on-leash and north half to be off-leash).

\* Quarries Park, Yambla Street, Clifton Hill (border to run in alignment with shared pathway, with south side of pathway to be on-leash and north side of pathway to be off-leash).

\* Hall Reserve, The Esplanade, Clifton Hill (border to run in alignment with shared pathway, with east side of pathway to be on-leash and remainder of park to be off-leash).

\* Darling Gardens, North Terrace, Clifton Hill (border to run diagonally from Gold Street to North Terrace; with on-leash on south-east side and off-leash on north-west side).

(\* Denotes Multi-zone Parks, with separate on and off-leash areas)

**SCHEDULE B**

Dogs are not permitted at any time within the following areas within the municipal district of the Yarra City Council:

Edward Place, Falconer Street, North Fitzroy.

McNamara Reserve, Gold Street, Collingwood.

Batman Reserve, Batman Street, North Fitzroy.

Whitlam Place, Moor Street, Fitzroy.

Urban Arts Square, Bridge Road, Richmond.

Cairns Reserve Playground Park, Lyndhurst Street, Richmond.

Gary Owen Park, Leicester Street, Fitzroy.

All fenced playgrounds.

**PRUE DIGBY**  
Chief Executive Officer

**Water Act 1989**  
**NORTH EAST REGION WATER**  
**AUTHORITY**

I, David Heeps, Director of Water Agencies, Department of Natural Resources and Environment, as the delegate of the Minister for Agriculture and Resources, make the following Order:

**EXTENSION OF THE GLENROWAN**  
**WATER DISTRICT ORDER 1998**

1. This Order is called the Extension of the Glenrowan Water District Order 1998.

2. This Order is made under Section 96(11)(b) of the **Water Act 1989** and all other available powers.

3. This Order takes effect from the date it is published in the Government Gazette.

4. The proposal, dated 4 March 1998, for the extension of the Glenrowan Water District of the North East Region Water Authority submitted to the Department of Natural Resources and Environment by the North East Region Water Authority is approved.

5. The Glenrowan Water District of the North East Region Water Authority is extended to include the areas bordered in red on Plan DWG No. 10742, copies of which may be inspected at the Offices of the North East Region Water Authority, situated at Level 3, Hovell Street, Wodonga 3690.

Dated 12 June 1998.

**DAVID HEEPS**  
Director, Water Agencies  
Department of Natural Resources and  
Environment  
(as delegate of the Minister for Agriculture and  
Resources)

**Water Act 1989**  
**NORTH EAST REGION WATER**  
**AUTHORITY**

I, David Heeps, Director of Water Agencies, Department of Natural Resources and Environment, as the delegate of the Minister for Agriculture and Resources, make the following Order:

**DECLARATION OF THE KIEWA**  
**TANGAMBALANGA SEWERAGE**  
**DISTRICT ORDER 1998**

1. This Order is called the Declaration of the Kiewa Tangambalanga Sewerage District Order 1998.

2. This Order is made under Section 96(11)(a) of the **Water Act 1989** and all other available powers.

3. This Order takes effect from the date it is published in the Government Gazette.

4. The proposal, dated 23 March 1998, for the declaration of the Kiewa Tangambalanga Sewerage District of the North East Region Water Authority submitted to the Department of Natural Resources and Environment by the North East Region Water Authority is approved.

5. The Kiewa Tangambalanga Sewerage District of the North East Region Water Authority is declared and includes the areas bordered in red on Plan No. KT/S3, copies of which may be inspected at the Offices of the North East Region Water Authority, situated at Level 3, Hovell Street, Wodonga 3690.

Dated 12 June 1998.

DAVID HEEPS  
Director, Water Agencies  
Department of Natural Resources and  
Environment  
(as delegate of the Minister for Agriculture and  
Resources)

**Water Act 1989**  
**NORTH EAST REGION WATER**  
**AUTHORITY**

I, David Heeps, Director of Water Agencies, Department of Natural Resources and Environment, as the delegate of the Minister for Agriculture and Resources, make the following Order:

**DECLARATION OF THE**  
**BARNAWARtha SEWERAGE DISTRICT**  
**ORDER 1998**

1. This Order is called the Declaration of the Barnawartha Sewerage District Order 1998.

2. This Order is made under Section 96(11)(a) of the **Water Act 1989** and all other available powers.

3. This Order takes effect from the date it is published in the Government Gazette.

4. The proposal, dated 24 February 1998, for the declaration of the Barnawartha Sewerage District of the North East Region Water Authority submitted to the Department of Natural Resources and Environment by the North East Region Water Authority is approved.

5. The Barnawartha Sewerage District of the North East Region Water Authority is declared and includes the areas bordered in red on Plan No. BA/S3, copies of which may be inspected at the Offices of the North East Region Water Authority, situated at Level 3, Hovell Street, Wodonga 3690.

Dated 12 June 1998.

DAVID HEEPS  
Director, Water Agencies  
Department of Natural Resources and  
Environment  
(as delegate of the Minister for Agriculture and  
Resources)

**Transport Act 1983**  
**TOW TRUCK DIRECTORATE OF**  
**VICTORIA**

**Tow Truck Applications**

Notice is hereby given that the following application will be considered by the Licensing Authority after 5 August 1998.

Notice of any objection to the granting of an application should be forwarded to reach the Director, Tow Truck Directorate of Victoria, Level 6, 14-20 Blackwood Street, North Melbourne (P.O. Box 666, North Melbourne 3051) not later than 30 July 1998.

It will not be necessary for interested parties to appear on the date specified, unless advised in writing.

S. Manenti. Application for variation of conditions of tow truck licence numbers TOW623, TOW624, TOW625, TOW626, TOW627, and TOW628 which authorise the licensed vehicles to be managed, controlled and operated from a depot situated at 220 Broadway, Reservoir to change the depot address to 37-39 Lakeside Avenue, Reservoir.

Helgil Nominees Pty Ltd. Application for variation of conditions of tow truck licence number TOW106 which authorise the licensed vehicle to be managed, controlled and operated from a depot situated at 220 Broadway, Reservoir to change the depot address to 37-39 Lakeside Avenue, Reservoir.

Beryfe Nominees Pty Ltd. Application for variation of conditions of tow truck licence numbers TOW545 and TOW078 which authorise the licensed vehicles to be managed,

controlled and operated from a depot situated at 220 Broadway, Reservoir to change the depot address to 37-39 Lakeside Avenue, Reservoir.

Dated 2 July 1998.

TERRY O'KEEFE  
Director

---

**Co-operatives Act 1996**  
DISSOLUTION OF CO-OPERATIVES  
EAST VIC HOUSING RESOURCE  
CO-OPERATIVE LTD  
HURSTBRIDGE HIGH SCHOOL  
CO-OPERATIVE NO. 2 LTD  
UPPER YARRA R S L CO-OPERATIVE LTD

I hereby notify that I have this day registered the dissolution of the abovenamed Co-operatives and cancelled their registration under the abovenamed Act.

Dated at Melbourne this 24 June 1998.

PAUL HOPKINS  
Deputy Registrar of Co-operatives

---

**Stamps Act 1958**  
NOTICE UNDER SECTION 40A  
Pursuant to Section 40A of the **Stamps Act 1958** I hereby declare:

AP - 364 Harris Lieberman Boyd Barristers & Solicitors

to be "Authorised Persons" in relation to the stamping of Transfers of Land, Mortgages, Bonds, Debentures and Covenants, Marketable Securities, Leases, Agreements to Lease, Assignments or Transfers of Lease and Instruments of Settlement.

Dated 24 June 1998.

DAVID POLLARD  
Commissioner of State Revenue

---

**Stamps Act 1958**  
NOTICE UNDER SECTION 40A  
Pursuant to Section 40A of the **Stamps Act 1958** I hereby declare:

AP - 183 AMEV SECURITIES LTD

to be no longer an "Authorised Persons" in relation to the stamping of Transfers of Land, Mortgages, Bonds, Debentures and Covenants, Marketable Securities, Leases, Agreements to Lease, Assignments or Transfers of Lease and Instruments of Settlement.

Dated 23 June 1998.

DAVID POLLARD  
Commissioner of State Revenue

**Stamps Act 1958**

NOTICE UNDER SECTION 40A

Pursuant to section 40A of the **Stamps Act 1958** I hereby declare:

**AP-342 Riordan & Partners**

to be "Authorised Persons" in relation to the stamping of Transfers of Land, Mortgages, Bonds, Debentures and Covenants, Marketable Securities, Leases, Agreements to Lease, Assignments or Transfers of Lease and Instruments of Settlement.

and **AP-293 Ratner McPhee**

to be no longer an "Authorised Persons" in relation to the stamping of Transfers of Land, Mortgages, Bonds, Debentures and Covenants, Marketable Securities, Leases, Agreements to Lease, Assignments or Transfers of Lease and Instruments of Settlement.

Dated 26 June 1998.

DAVID POLLARD  
Commissioner of State Revenue

---

**Road Safety Act 1986**

MOTOR CYCLE RELIABILITY TRIAL

Under section 68(3) of the **Road Safety Act 1986**, I declare that sub-sections (1) and (2) of section 68 of the Act shall not apply with respect to the event to be known as Round 4 of the Yamaha Victorian Enduro Series to be conducted by the Corner Inlet Motorcycle Club Inc. on sections of road within the Eastern Strzelecki State Forest on 5 July 1998 between the hours of 8.00 a.m. and 4.00 p.m.

Dated 22 June 1998.

N. R. BUTLER  
Regional Manager  
VicRoads - Eastern Victoria  
Delegate of the Minister for Roads and Ports

---

**Associations Incorporation Act 1981**

Sub-Section 36(2)

Notice is hereby given that the incorporation of the associations mentioned below will be cancelled on publication of this notice.

A9X Torana Owners Association of Australia Inc.; Achievers Basketball Club Inc.;

Anderson Road Knight Memorial Hall Association Inc.; Arthritis Self Help Group Stawell Inc.; Asian Care Australia Inc.; Associated Buyers of Australian Made Inc.; Bayside Bonsai Society Inc.; Bendigo Bombers Inc.; Bendigo and District Branch Better Hearing Australia Inc.; Bills Street Residents' Association Inc.; Central Gippsland Regional Housing Council Inc.; Churchill & District Community Association Inc.; Cobaw Disability Action Group Inc.; Disability Resources & Services Inc.; Edenhope & District Kindergarten Inc.; Emergency Accommodation Referral Service for Southern Inc.; Friends of Tarraville Inc.; Gippsland Coalition of Public Tenants Inc.; Golden-Paradise Beach Fund Raising Group Inc.; Hoechst Cherry Lane Social Club Inc.; Hume Province Business Connect Inc.; Hungarian Community Television Victoria Inc.; Italian Committee to Improve Service at Cemeteries Inc.; K. F. Leisure Centre Playgroup Inc.; Maktab Tarighe Oveyssi Shah Maghsoudi School Sufism Inc.; Maroondah Club, International Training in Communication Inc.; Maryborough & District Volleyball Association Inc.; Mount Alexander Development Board Inc.; North East Country Table Tennis Association Inc.; Over 50's Association Inc.; Pacific College Inc.; Portland Chamber of Commerce and Industry Inc.; Quota International of Warnambool Inc.; Rainbow Local Traders Inc.; Saraswati Society of Victoria Australia Inc.; South East Resource Action Centre Inc.; South-Port Network Inc.; Southern Playgroup Association Inc.; St. Giles Gymnastic Club Inc.; St. Peters Anglican Church Tennis Club Inc.; Tallangatta and District Preschool Association Inc.; Templestowe Fair Traders Association Inc.; Tenancy Advisory Service for Southern Inc.; The North Eastern Rock and Roll Club Inc.; The Southdown Breeders' Association of Victoria Inc.; Victorian Parent Advocacy Collective Inc.; Western Region Adards Support Service Inc.; Wimmera Parents Support Group Inc.; Yarra Employment Service Inc.; Yarra Glen and District Lions Club Inc.

Dated 15 April 1998.

BERNADETTE STEELE  
Registrar of Incorporated Associations



**Heritage**  
VICTORIA

**Heritage Act 1995**

**NOTICE OF REGISTRATION**

As Executive Director for the purpose of the **Heritage Act 1995**, I give notice under section 46 that the Victorian Heritage Register is amended in that the Heritage Register Number 992 in the category described as a Heritage place is now described as:

Former Bendigo Benevolent Asylum (Anne Caudle Centre), 100-104 Barnard Street, Bendigo, Greater Bendigo City Council.

**EXTENT:**

1. All of the buildings marked B-1 (Gatehouse), B-2 (Superintendent's residence), B-3 (Lying-in hospital), B-4 (Main building), B-5 (Kitchen/laundry), B-6 (Dining hall), B-7 (Female ward), B-8 (Mortuary), B-9 (Amenities), F-1 (Cast iron fence) & F-2 (Brick fence, Hope Street) and shown on diagram number 605329 and held by the Executive Director.
2. All of the land marked L-1 shown on diagram number 605329 held by the Executive Director and being part of the land in Certificate of Title Volume 10090 Folio 329.

Dated 18 June 1998.

RAY TONKIN  
Executive Director



**Heritage**  
VICTORIA

**Heritage Act 1995**

**NOTICE OF REGISTRATION**

As Executive Director for the purpose of the **Heritage Act 1995**, I give notice under section 46 that the Victorian Heritage Register is

amended by including the Heritage Register Number 1719 in the category described as a Heritage place:

Former St Kilda Railway Station Complex, Corner Canterbury Road and Fitzroy Street, St Kilda, Port Phillip City Council.

**EXTENT:**

1. All of the buildings marked B1 (main building), B2 (train hall), B3 (section of platform to Fitzroy Street) and B4 (bluestone retaining wall) on Diagram 602485 held by the Executive Director.
2. All of the land marked L-1 on diagram number 602485 held by the Executive Director being part of the land described as Lot 3 in PS 303502M.

Dated 18 June 1998.

RAY TONKIN  
Executive Director



**Heritage**  
VICTORIA

**Heritage Act 1995**

**NOTICE OF REGISTRATION**

As Executive Director for the purpose of the **Heritage Act 1995**, I give notice under section 46 that the Victorian Heritage Register is amended by including the Heritage Register Number 1720 in the category described as a Heritage place:

Victoria Dock, West Melbourne Docklands, Melbourne City Council.

**EXTENT:**

1. All of the buildings and structures marked B-1 to B-7 on Diagram 605066 held by the Executive Director comprising:

the linear perimeter wharves and central pier with wharf bollards; wharf fittings and railway tracks (B-1); shed 8 (B-2); shed 9 (B-3); shed 14 (B-4); shed 15 (B-5); shed 19 together with the adjacent bluestone pitcher paving (B-6); shed 20-21 together with the adjacent bluestone pitcher paving (B-7).

2. All of the land marked L-1 on Diagram 605066 held by the Executive Director being all of the land beneath the waters of Victoria Dock and its wharves.

Dated 19 June 1998.

RAY TONKIN  
Executive Director

**Planning and Environment Act 1987**

**MELBOURNE PLANNING SCHEME**

**Notice of Approval of Amendment**

**Amendment L318**

The Minister for Planning and Local Government has approved Amendment L318 to the Melbourne Planning Scheme.

The Amendment comes into operation on the date this notice is published in the Government Gazette.

The Amendment introduces a new site specific control into the local section of the planning scheme to enable the development of land at the former Government Printer site, bounded by Shiel Street and Macaulay Road, North Melbourne, into the Archive Centre for the Public Records Office, and for storage space for the National Gallery of Victoria.

A copy of the Amendment can be inspected, free of charge, during office hours, at the Department of Infrastructure, Customer Service Centre, Upper Plaza, Nauru House, 80 Collins Street, Melbourne and at the offices of the Melbourne City Council, Development Planning, Sixth Floor, 200 Little Collins Street, Melbourne.

ADRIAN SALMON  
Co-ordinator, Amendment Services  
Local Government, Planning and  
Market Information Services Division  
Department of Infrastructure

**Planning and Environment Act 1987**

**PAKENHAM PLANNING SCHEME**

**Notice of Approval of Amendment**

**Amendment L154**

The Minister for Planning and Local Government has approved Amendment L154 to the Pakenham Planning Scheme.

The Amendment comes into operation on the date this notice is published in the



Government Gazette.

The Amendment rezones land at 2925 Gembrook-Launching Place Road, Gembrook (part Lot 2, PS 222479T) from Landscape Zone to Residential 4 Zone to allow for the subdivision of the subject land into seven lots.

A copy of the Amendment can be inspected, free of charge, during office hours, at the Department of Infrastructure, Customer Service Centre, Upper Plaza, Nauru House, 80 Collins Street, Melbourne and at the offices of the Cardinia Shire Council, Henty Way, Pakenham.

ADRIAN SALMON  
Co-ordinator, Amendment Services  
Local Government, Planning and  
Market Information Services Division  
Department of Infrastructure

---

**Planning and Environment Act 1987**

**PAKENHAM PLANNING SCHEME**

**Notice of Approval of Amendment**

**Amendment L162**

The Minister for Planning and Local Government has approved Amendment L162 to the Pakenham Planning Scheme.

The Amendment comes into operation on the date this notice is published in the Government Gazette.

The Amendment includes a site specific clause (6.1.5) to allow for the use and development of a dwelling on land known as Crown Allotment 5A, Parish of Kooweerup, Brownbill Road, Garfield, subject to the grant of a planning permit. Certain requirements must be met, however, the permit application will be exempt from specified notice requirements, decision requirements and appeal rights.

A copy of the Amendment can be inspected, free of charge, during office hours, at the Department of Infrastructure, Customer Service Centre, Upper Plaza, Nauru House, 80 Collins Street, Melbourne and at the offices of the Cardinia Shire Council, Henty Way, Pakenham.

ADRIAN SALMON  
Co-ordinator, Amendment Services  
Local Government, Planning and  
Market Information Services Division  
Department of Infrastructure

---

**Planning and Environment Act 1987**

**WHITTLESEA PLANNING SCHEME**

**Notice of Approval of Amendment**

**Amendment L162**

The Minister for Planning and Local Government has approved Amendment L162 to the Whittlesea Planning Scheme.

The Amendment comes into operation on the date this notice is published in the Government Gazette.

The Amendment changes the controls of the Urban Development Zone to allow a Minor Utility Installation without a permit provided the use is specified in the Local Structure Plan or applicable Outline Development Plan and the installation is to the satisfaction of the responsible authority.

A copy of the Amendment can be inspected, free of charge, during office hours, at the Department of Infrastructure, Customer Service Centre, Upper Plaza, Nauru House, 80 Collins Street, Melbourne and at the offices of the Whittlesea City Council, McDonalds Road, South Morang.

ADRIAN SALMON  
Co-ordinator, Amendment Services  
Local Government, Planning and  
Market Information Services Division  
Department of Infrastructure

---

**Planning and Environment Act 1987**

**WHITTLESEA PLANNING SCHEME**

**Notice of Approval of Amendment**

**Amendment L163**

The Minister for Planning and Local Government has approved Amendment L163 to the Whittlesea Planning Scheme.

The Amendment comes into operation on the date this notice is published in the Government Gazette.

The Amendment rezones 3400 square metres of land at the eastern end of Reservoir Road, Yan Yean, from Public Purposes - PP18 Melbourne Water Reservation to Landscape Interest D Zone.

A copy of the Amendment can be inspected, free of charge, during office hours, at the Department of Infrastructure, Customer Service Centre, Upper Plaza, Nauru House, 80 Collins

Street, Melbourne and at the offices of the Whittlesea City Council, McDonalds Road, South Morang.

ADRIAN SALMON  
Co-ordinator, Amendment Services  
Local Government, Planning and  
Market Information Services Division  
Department of Infrastructure

---

**Planning and Environment Act 1987**  
**YARRA PLANNING SCHEME**  
Notice of Approval of Amendment  
Amendment L69

The Minister for Planning and Local Government has approved Amendment L69 to the Yarra Planning Scheme.

The Amendment comes into operation on the date this notice is published in the Government Gazette.

The Amendment inserts a site specific control in the Light Industrial zone to allow use and development of the land for 5 attached houses without a planning permit if certain site specific conditions are met.

A copy of the Amendment can be inspected, free of charge, during office hours, at the Department of Infrastructure, Customer Service Centre, Upper Plaza, Nauru House, 80 Collins Street, Melbourne and at the offices of the Yarra City Council, Richmond Town Hall, Bridge Road, Richmond.

ADRIAN SALMON  
Co-ordinator, Amendment Services  
Local Government, Planning and  
Market Information Services Division  
Department of Infrastructure

---

**Planning and Environment Act 1987**  
**YARRA PLANNING SCHEME**  
Notice of Approval of Amendment  
Amendment L76

The Minister for Planning and Local Government has approved Amendment L76 to the Yarra Planning Scheme.

The Amendment comes into operation on the date this notice is published in the Government Gazette.

The Amendment rezones Railway Lot 12 in

Garfield Street, Richmond described as Crown allotment 47A, Parish of Jika Jika, comprising a parcel of approximately 396 sqm from Light Industrial zone and Reserved Land Railways Existing to a Mixed Use zone with a Potentially Contaminated Land overlay.

A copy of the Amendment can be inspected, free of charge, during office hours, at the Department of Infrastructure, Customer Service Centre, Upper Plaza, Nauru House, 80 Collins Street, Melbourne and at the offices of the Yarra City Council, Richmond Town Hall, 333 Bridge Road, Richmond.

ADRIAN SALMON  
Co-ordinator, Amendment Services  
Local Government, Planning and  
Market Information Services Division  
Department of Infrastructure

---

**Planning and Environment Act 1987**  
**DAREBIN PLANNING SCHEME**  
Notice of Lapsing of Amendment  
Amendment L44

The Darebin City Council has resolved to abandon Amendment L44 to the Darebin Planning Scheme.

The Amendment proposed to include vegetation at 46 Bastings Street, Northcote in the Darebin Conservation Table and include the Gilfedder Report as an Incorporated Document.

The Amendment lapsed on 1 June 1998.

ADRIAN SALMON  
Co-ordinator, Amendment Services  
Local Government, Planning and  
Market Information Services Division  
Department of Infrastructure

---

**Planning and Environment Act 1987**  
**KEILOR PLANNING SCHEME**  
Notice of Lapsing of Amendment  
Amendment L101

The Moonee Valley City Council has resolved to abandon Amendment L101 to the Keilor Planning Scheme.

The Amendment proposed to rezone land located between Lily and Colin Streets described in Certificate of Title Volume 8824

Folio 039 from Public Open Space to Residential C zone.

The Amendment lapsed on 16 April 1996.

ADRIAN SALMON  
Co-ordinator, Amendment Services  
Local Government, Planning and  
Market Information Services Division  
Department of Infrastructure

---

**ORDERS IN COUNCIL**

**Administrative Arrangements Act 1983**

The Governor in Council makes the following Order:

**ADMINISTRATIVE ARRANGEMENTS ORDER (NO. 158) 1998**

1. This Order is called the Administrative Arrangements Order (No. 158) 1998.
2. This Order is made under the powers conferred by section 3 of the **Administrative Arrangements Act 1983** and under every other available power.
3. This Order takes effect on and from 23 June 1998.
4. A reference to the Old Body in any provision in an Act specified in Column 2 of the Schedule or in any statutory or other instrument made under an Act specified in Column 2 of the Schedule shall be construed as a reference to the New Body.
5. Where:-
  - (a) before this Order takes effect, a transaction happened in relation to the Old Body, then-
  - (b) this Order does not affect the validity or continuity of the transaction and the transaction shall continue and may be completed in relation to the New Body in the same way as it would have continued and may have been completed in relation to the Old Body if this Order has not been made.
6. In this Order:-
 

“The Act” means the **Administrative Arrangements Act 1983**.

“Body” means “Minister”.

“Instrument” includes contract and agreement.

“Old Body” and “New Body” means respectively the Bodies specified in Column 1 and Column 3 of the Schedule.

“Schedule” means Schedule to this Order.

“Transaction” includes:-

  - (a) Agreement, bond, contract, deed or other consensual arrangement whatsoever;
  - (b) Action, appeal, arbitration, prosecution and other legal proceeding whatsoever;
  - (c) Assignment, charge, lease, mortgage, transfer or other dealing with property whatsoever;
  - (d) Loan, guarantee, indemnity or other dealing with money whatsoever;
  - (e) Approval, consent, delegation, licence, Order, permit, requirement or other authority whatsoever;
  - (f) Notice; and
  - (g) Any other act, entitlement or liability in the law whatsoever.

**SCHEDULE**

Column 1 (Old Body)	Column 2 (Legislation)	Column 3 (New Body)
Minister for Multimedia	All Acts	Minister for Information Technology and Multimedia

Dated 23 June 1998

Responsible Minister:  
J. G. KENNETT  
Premier

SHARNE BRYAN  
Clerk of the Executive Council

**Land Act 1958**

**APPROVAL BY THE GOVERNOR IN  
COUNCIL TO THE SALE OF CROWN  
LAND BY PRIVATE TREATY**

**Order in Council**

The Governor in Council, pursuant to Section 99A(1)(a) and 99A(2) of the **Land Act 1958**, approves the sale by private treaty of Crown Allotment 48<sup>c</sup>, Parish of Narree Worrان located off Wellington Road, Lysterfield.

Dated 30 June 1998

Responsible Minister:  
ROGER M. HALLAM MLC  
Minister for Finance

SHARNE BRYAN  
Clerk of the Executive Council

---

**Water Industry Act 1994**

**ORDER SPECIFYING A MAXIMUM RATE  
WHICH MELBOURNE PARKS AND  
WATERWAYS MAY MAKE AND LEVY**

**Order in Council**

The Governor in Council, under Section 139(5) of the **Water Industry Act 1994**, specifies 0.269 cents per dollar net annual value or \$42.70 (whichever is the greater amount) as the maximum rate that may be made and levied in relation to land under section 139 of the Act by Melbourne Parks and Waterways for the 1998/1999 financial year.

Dated 30 June 1998

Responsible Minister:  
MARIE TEHAN  
Minister for Conservation and Land  
Management

SHARNE BRYAN  
Clerk of the Executive Council

---

**SUBORDINATE LEGISLATION ACT 1994  
NOTICE OF MAKING OF STATUTORY  
RULES**

Notice is hereby given under Section 17 (2) of the **Subordinate Legislation Act 1994** of the making of the following Statutory Rules:

- |                            |                                                                                                                        |                            |                                                                                                                        |
|----------------------------|------------------------------------------------------------------------------------------------------------------------|----------------------------|------------------------------------------------------------------------------------------------------------------------|
| 71. <i>Statutory Rule:</i> | Supreme Court<br>(Chapter II<br>Amendment No. 16)<br>Rules 1998                                                        | 78. <i>Statutory Rule:</i> | State Superannuation<br>Regulations 1998                                                                               |
| <i>Authorising Act:</i>    | Supreme Court Act<br>1986                                                                                              | <i>Authorising Act:</i>    | State Superannuation<br>Act 1988                                                                                       |
| <i>Date of making:</i>     | 26 June 1998                                                                                                           | <i>Date of making:</i>     | 30 June 1998                                                                                                           |
| 72. <i>Statutory Rule:</i> | Supreme Court<br>(Chapter III<br>Amendment No. 3)<br>Rules 1998                                                        | 79. <i>Statutory Rule:</i> | Residential Tenancies<br>(Caravan Parks and<br>Movable Dwellings<br>Registration and<br>Standards)<br>Regulations 1998 |
| <i>Authorising Acts:</i>   | Supreme Court Act<br>1986<br>Administration and<br>Probate Act 1958                                                    | <i>Authorising Act:</i>    | Residential Tenancies<br>Act 1997                                                                                      |
| <i>Date of making:</i>     | 26 June 1998                                                                                                           | <i>Date of making:</i>     | 30 June 1998                                                                                                           |
| 73. <i>Statutory Rule:</i> | Water Industry<br>(Melbourne Parks and<br>Waterways)<br>(Amendment)<br>Regulations 1998                                | 80. <i>Statutory Rule:</i> | Plumbing Standards<br>Regulations 1998                                                                                 |
| <i>Authorising Act:</i>    | Water Industry Act<br>1994                                                                                             | <i>Authorising Act:</i>    | Building Act 1993                                                                                                      |
| <i>Date of making:</i>     | 30 June 1998                                                                                                           | <i>Date of making:</i>     | 30 June 1998                                                                                                           |
| 74. <i>Statutory Rule:</i> | Zoological Parks and<br>Gardens<br>(Administration)<br>(Charges) Regulations<br>1998                                   | 81. <i>Statutory Rule:</i> | Road Safety (Traffic)<br>(Parking) Regulations<br>1998                                                                 |
| <i>Authorising Act:</i>    | Zoological Parks and<br>Gardens Act 1995                                                                               | <i>Authorising Act:</i>    | Road Safety Act<br>1986                                                                                                |
| <i>Date of making:</i>     | 30 June 1998                                                                                                           | <i>Date of making:</i>     | 30 June 1998                                                                                                           |
| 77. <i>Statutory Rule:</i> | Financial<br>Management<br>(Amendment)<br>Regulations 1998                                                             | 83. <i>Statutory Rule:</i> | Rural Finance<br>Corporation of<br>Victoria Regulations<br>1998                                                        |
| <i>Authorising Act:</i>    | Financial<br>Management Act<br>1994                                                                                    | <i>Authorising Act:</i>    | Rural Finance Act<br>1988                                                                                              |
| <i>Date of making:</i>     | 30 June 1998                                                                                                           | <i>Date of making:</i>     | 30 June 1998                                                                                                           |
| 78. <i>Statutory Rule:</i> | State Superannuation<br>Regulations 1998                                                                               | 84. <i>Statutory Rule:</i> | Debits Tax<br>Regulations 1998                                                                                         |
| <i>Authorising Act:</i>    | State Superannuation<br>Act 1988                                                                                       | <i>Authorising Act:</i>    | Debits Tax Act 1990                                                                                                    |
| <i>Date of making:</i>     | 30 June 1998                                                                                                           | <i>Date of making:</i>     | 30 June 1998                                                                                                           |
| 79. <i>Statutory Rule:</i> | Residential Tenancies<br>(Caravan Parks and<br>Movable Dwellings<br>Registration and<br>Standards)<br>Regulations 1998 | 85. <i>Statutory Rule:</i> | County Court<br>(Chapter I<br>Amendment No. 35)<br>Rules 1998                                                          |
| <i>Authorising Act:</i>    | Residential Tenancies<br>Act 1997                                                                                      | <i>Authorising Act:</i>    | County Court Act<br>1958                                                                                               |
| <i>Date of making:</i>     | 30 June 1998                                                                                                           | <i>Date of making:</i>     | 29 June 1998                                                                                                           |

87. *Statutory Rule:* Victorian Civil and Administrative Tribunal Rules 1998  
*Authorising Act:* Victorian Civil and Administrative Tribunal Act 1998  
*Date of making:* 1 July 1998

Retail price will vary according to the number of pages in each special or periodical gazette. The table below sets out the prices that apply

<i>Price Code</i>	<i>No. of Pages (Including cover and blank pages)</i>	<i>Price</i>
A	1-16	\$2.90
B	17-32	\$4.30
C	33-48	\$5.90
D	49-96	\$9.15
E	97-144	\$11.85
F	145-192	\$14.00
G	193-240	\$16.15
H	241-288	\$17.20
I	289-352	\$19.35
J	353-416	\$22.60
K	417-430	\$25.80
L	431-544	\$30.10

**ADVERTISERS PLEASE NOTE**

As from 2 July 1998  
 The last Special Gazette was No. 68 dated 1 July 1998  
 The last Periodical Gazette was No. 1 dated 2 June 1998

## CONTENTS

	Page
Estates of Deceased Persons	1676
Government and Outer Budget Sector	
Agencies Notices	1691
Orders in Council—	1835
Acts — Administrative Arrangements; Land; Water Industry	
Private Advertisements	1675
Proclamations	1690

The Victoria Government Gazette is published by The Craftsman Press Pty. Ltd. with the authority of the Government Printer for the State of Victoria  
© State of Victoria 1998

ISSN 0819-5471

This publication is copyright. No parts may be reproduced by any process except in accordance with the provisions of the Copyright Act.

Products and services advertised in this publication are not endorsed by The Craftsman Press Pty. Ltd. or the State of Victoria and neither of them accepts any responsibility for the content or the quality of reproduction. The Craftsman Press Pty. Ltd. reserves the right to reject any advertising material it considers unsuitable for government publication.

Address all inquiries to the Government Printer for the State of Victoria  
1 Macarthur Street  
Melbourne 3002 Victoria Australia

### RETAIL SALES

Information Victoria Bookshop  
356 Collins Street Melbourne 3000.  
Telephone enquiries 1300 366 356

City Graphics  
2nd Floor, 4 Bank Place  
Melbourne 3000

Telephone enquiries (03) 9600 0977

**Recommended Retail Price \$1.70**

*Government and Outer Budget Sector Agencies please note:*  
**STYLE REQUIREMENTS.**

To ensure that material received can be reproduced, and that errors are minimised, the following guidelines are to be observed when submitting material by fax.

**Fax resolution:**

Material sent by fax should be transmitted using Fine Resolution (200 dots per inch by 200 dpi).

**Font size:**

Use 12 point (10 pitch) or larger.

**Font Style:**

Clear plain font styles, such as Helvetica, should be used.

**Graphics:**

Line drawings should be transmitted as large as possible to ensure clarity. Drawings up to A4 size sent by fax using Fine Resolution provide a good quality for reproduction.

**Avoid:**

Italics, underlining and full justification.

Ensure document is square when sending as documents that are sent skewed are difficult to read and process.

ISSN 0819-5471



9 770819 547256