



Victoria Government Gazette

No. S 216 Thursday 14 November 2002
By Authority, Victorian Government Printer

SPECIAL

Fair Trading Act 1999

PERMANENT BAN ORDER PROHIBITING THE SUPPLY OF DANGEROUS GOODS

I, Christine Campbell, Minister for Consumer Affairs, pursuant to the powers conferred on me by Division 1 of Part 3 of the **Fair Trading Act 1999** (the Act) hereby make a permanent ban order prohibiting the supply in Victoria of the following goods:

Goods comprising a dart gun set consisting of a model of a firearm, with or without a target, together with one or more suction tipped darts which, whatever their orientation, fit entirely within the small parts cylinder when tested in accordance with 5.2 (small parts test) of the Australian/New Zealand Standard AS/NZS ISO 8124.1:2002 Safety of toys, Part 1: Safety aspects related to mechanical and physical properties (ISO 8124-1:2000 MOD) including, but not limited to the "Pull-Back Action Target Game". The first paragraph of clause 5.2 of the Australian/New Zealand Standard AS/NZS ISO 8124.1:2002 is set out in the Schedule to this Order.

I make this permanent ban order on the recommendation of Dr David Cousins, Director of Consumer Affairs Victoria, thereby satisfying the requirements of sections 40(1) and 40(2)(a) of the **Victorian Fair Trading Act 1999**.

Dated 14 November 2002

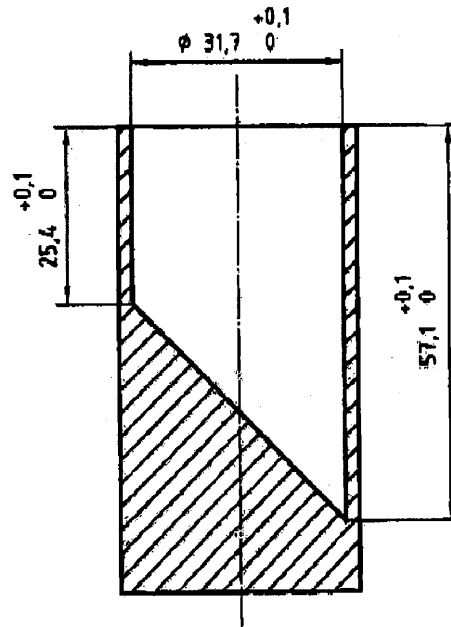
CHRISTINE CAMPBELL MP
Minister for Consumer Affairs
SCHEDULE

This Schedule comprises an Extract from Australian/New Zealand Standard AS/NZS ISO 8124.1:2002. Permission to reprint this Extract has been given by Standards Australia.

Clause 5.2 (first paragraph) of the Australian/New Zealand Standard AS/NZS ISO 8124.1:2002 Safety of toys, Part 1: Safety aspects related to mechanical and physical properties (ISO 8124-1:2000, MOD).

5.2 Small parts test (first paragraph)

Place the toy, without compressing it and in any orientation, into the cylinder as shown in Figure 13.



Dimensions in millimetres

Figure 13 – Small parts cylinder

Explanatory Note

This permanent ban order prohibits the supply of the "Pull-Back Action Target Game" and similar products that possess projectiles in the form of suction cap darts where the darts are small enough, to fit in any way, into the small parts cylinder, thereby causing a choking hazard.

This permanent ban order commences on the date of this Gazette.

Gazette Services

The *Victoria Government Gazette* (VGG) is published by The Craftsman Press Pty. Ltd. for the State of Victoria and is produced in three editions.

VGG General is published each Thursday and provides information regarding Acts of Parliament and their effective date of operation; Government notices; requests for tenders; as well as contracts accepted. Private Notices are also published.

VGG Special is published any day when required for urgent or special Government notices. VGG Special is made available automatically to subscribers of VGG General.

VGG Periodical is published when required and includes specialised information eg. Medical, Dental, Pharmacist's Registers, etc.

The *Victoria Government Gazette* is published by The Craftsman Press Pty. Ltd. with the authority of the Government Printer for the State of Victoria

© State of Victoria 2002

ISSN 0819-5471

This publication is copyright. No parts may be reproduced by any process except in accordance with the provisions of the Copyright Act.

Products and services advertised in this publication are not endorsed by The Craftsman Press Pty. Ltd. or the State of Victoria and neither of them accepts any responsibility for the content or the quality of reproduction. The Craftsman Press Pty. Ltd. reserves the right to reject any advertising material it considers unsuitable for government publication.

Address all inquiries to the Government Printer for the State of Victoria

Government Information and Communications Branch

Department of Premier and Cabinet

Level 3, 356 Collins Street

Melbourne 3000

Victoria Australia

Subscriptions

The Craftsman Press Pty. Ltd.

125 Highbury Road, Burwood

Victoria, Australia 3125

Telephone enquiries: (03) 9926 1233

Facsimile (03) 9926 1292

Retail Sales

Information Victoria Bookshop

356 Collins Street Melbourne 3000.

Telephone enquiries 1300 366 356

City Graphics

Level 1, 520 Bourke Street

Melbourne 3000

Telephone enquiries (03) 9600 0977

Price Code A**Subscriptions**

The *Victoria Government Gazette* is available by three subscription services:

General and Special — \$187.00 each year

General, Special and Periodical — \$249.70 each year

Periodical — \$124.30 each year.

All prices include GST.

Subscriptions are payable in advance and accepted for a period of one year. All subscriptions are on a firm basis and refunds will not be given.

All payments should be made payable to

The Craftsman Press Pty. Ltd.

Subscription enquiries:

The Craftsman Press Pty. Ltd.

125 Highbury Road, Burwood Vic 3125

Telephone: (03) 9926 1233

Fax (03) 9926 1292