



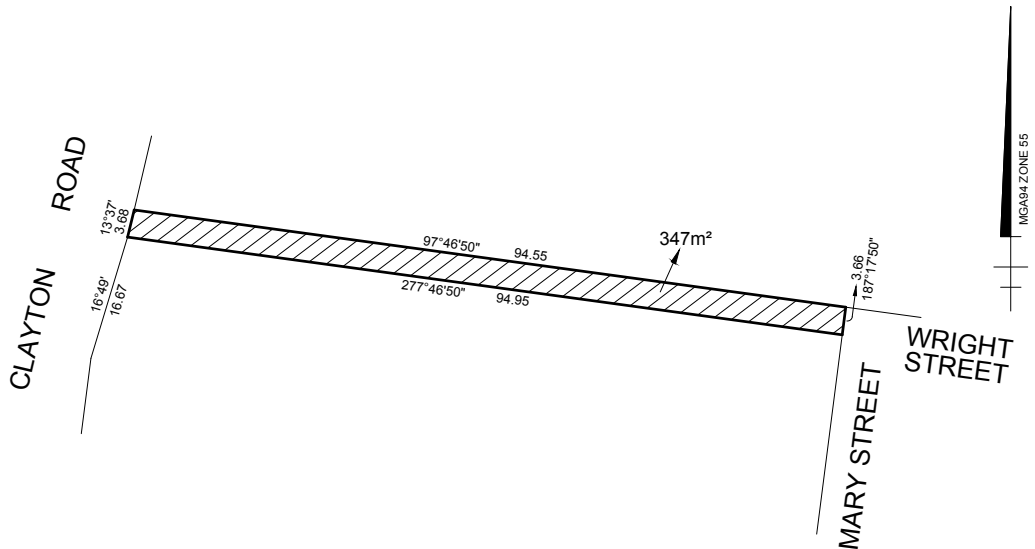
Victoria Government Gazette

No. S 394 Thursday 6 August 2020
By Authority of Victorian Government Printer

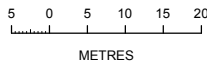
MONASH CITY COUNCIL

Road Discontinuance

At its meeting on 25 February 2020 and acting under Clause 3 of Schedule 10 to the **Local Government Act 1989**, Monash City Council resolved to discontinue the road abutting 224–246 Clayton Road, Clayton, being part of the land contained in Certificate of Title Volume 11551 Folio 791 and shown hatched on the plan below.



NOTE:
- ROAD TO BE DISCONTINUED SHOWN HATCHED



DR ANDI DIAMOND
Chief Executive Officer
Monash City Council

SPECIAL

ive

The *Victoria Government Gazette* is published by IVE Group Limited with the authority of the Government Printer for the State of Victoria

© State of Victoria 2020

This publication is copyright. No part may be reproduced by any process except in accordance with the provisions of the Copyright Act.

Address all enquiries to the Government Printer for the State of Victoria
Level 2, 1 Macarthur Street
Melbourne 3002
Victoria Australia

How To Order



Retail & Mail Sales

Victoria Government Gazette

Ground Floor, Building 8,
658 Church Street,
Richmond 3121

DX 106 Melbourne



Telephone

(03) 8523 4601



Fax

(03) 9600 0478

email

gazette@ivegroup.com.au

Price Code A